



AUTEXIER

MANUFACTURER OF INDUSTRIAL VALVES

93 Rue Louis Blanc - 02300 CHAUNY - FRANCE
Phone : +33 (0)3 23 52 02 86 Fax : +33 (0)3 23 39 52 28
Website : www.autexier.fr

Ref. AU569 Family : 42

Rev. 01

Date : 03 June 2026

Page 1/1

ALUMINIUM BRONZE EQUAL ENDED STRAIGHT COUPLING

Ref. AU569.Ø

SERIES :

- AU569

For material compatibility, contact us

CARACTERISTICS :

- PN40 (Nominal Pressure)

- MATERIAL : ALUMINIUM BRONZE CW307G

MAXIMUM CONDITIONS OF USE :

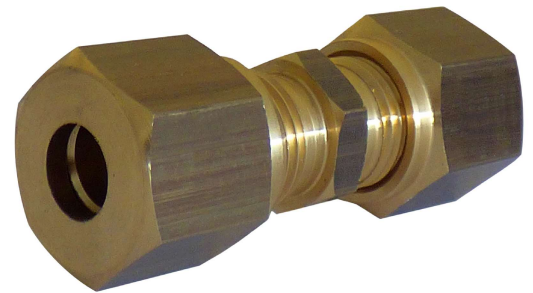
- 40 bar of -10°C to 200°C

APPLICATIONS :

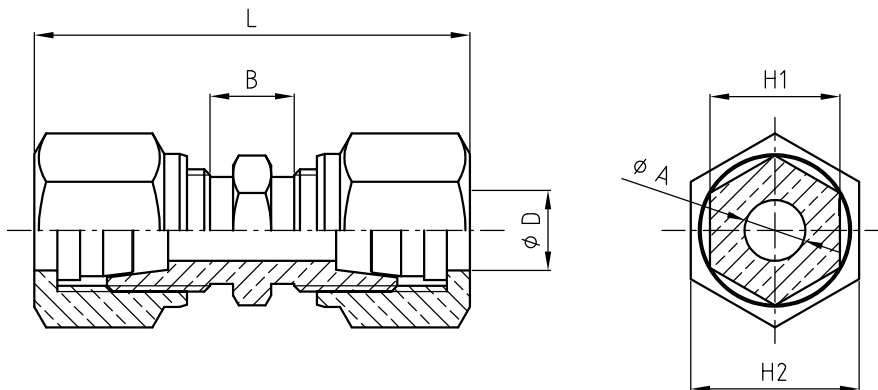
- Water-based fluids

- Water

- Seawater



Subject to modifications



DIMENSIONS

Reference	ØA (mm)	B (mm)	ØD (mm)	H1 (mm)	H2 (mm)	L (mm)	Weight (Kg)
AU569.08	6	11	8.5	17	22	54	0.110
AU569.10	8	11	10.5	17	22	54	0.104
AU569.15	12	13	15.5	24	27	59	0.140

REFERENCES NORMS :

- Material : NF EN 1982-NF EN 12163-NF EN 12164-NF EN 10272

- Testing & checking : NF EN 12266-1/-2 (bench test)

Ref. instruction of assembling :

Ref. instruction of operation :

Mounting & assembly guides are available on our website.

These data are for information and can be modified without notice. It is not up to us to appreciate specifications. It is up to the customer to verify the adequacy between the equipment chosen and the real conditions of use.