



# AUTEXIER

MANUFACTURER OF INDUSTRIAL VALVES

93 Rue Louis Blanc - 02300 CHAUNY - FRANCE  
Phone : +33 (0)3 23 52 02 86 Fax : +33 (0)3 23 39 52 28  
Website : www.autexier.fr

Ref. 111 Family : 20

Rev. 05

Date : 03 June 2026

Page 1/1

## BRONZE WAFER SWING CHECK VALVE

### Ref. 111.Ø

#### SERIES :

- 111.Ø
- Between flanges
- DN ≥ 100 lifting ring

*For material compatibility, contact us*

#### CARACTERISTICS :

- PN30 (Nominal Pressure)
- ENDS : For ISO PN10/16 Flanges
- MATERIAL : BRONZE CC491K

#### MAXIMUM CONDITIONS OF USE :

- 30 bar of -15°C to 200°C

#### APPLICATIONS :

- Water-based fluids
- Steam (8 bar)

#### OPTIONS :

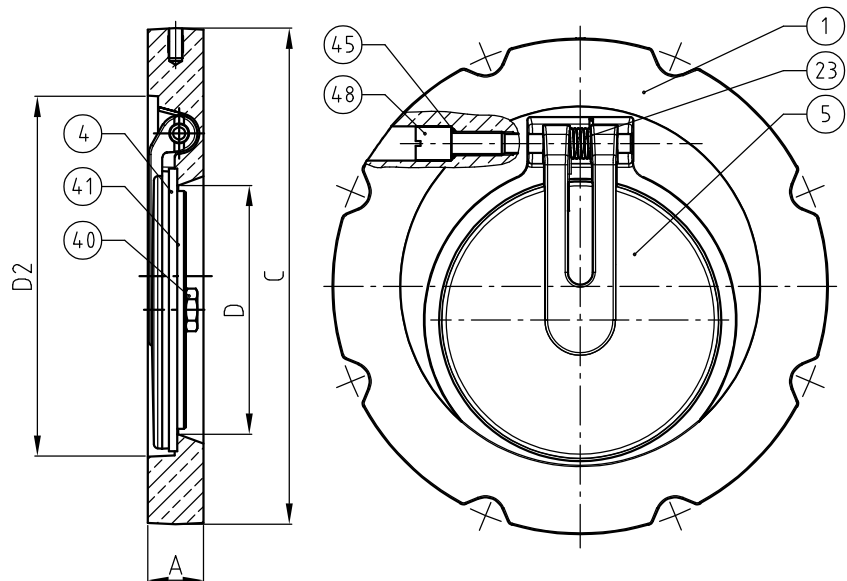
- DN < 100 lifting ring
- For ASA 150 Flanges

*Specific dimensions, contact us*



*Subject to modifications*

NOMENCLATURE			
Rep	Qty	Designation	Material
1	1	BODY	BRONZE
4	1	DISC	FPM
5	1	DISC HOLDER	BRONZE
23	1	SPRING	STAINLESS STEEL 316
40	1	NUT	STAINLESS STEEL A4
41	1	WASHER	BRONZE
45	1	O-RING	FPM
48	1	SLEEVE	BRONZE



#### REFERENCES NORMS :

- Material : NF EN 1982 - NF EN 12163 - NF EN 12164 - NF EN 10272
- Testing & checking : NF EN 12266-1/-2 (bench test)
- Face to face : NF E 29-377 - Series ISO PN 50

Ref. instruction of assembling : 0904DA164E

Ref. instruction of operation : 0904DA163E

**Mounting & assembly guides are available on our website.**

DIMENSIONS										
DN	40	50	65	80	100	125	150	200	250	300
A (mm)	22	<b>22</b>	<b>22</b>	22	<b>24</b>	26	26	<b>33</b>	<b>52</b>	58
C (mm)	110	<b>125</b>	<b>145</b>	160	<b>180</b>	210	240	<b>295</b>	<b>355</b>	410
D (mm)	20	<b>26</b>	<b>41</b>	50	<b>65</b>	88	110	<b>148</b>	<b>193</b>	249
D2 (mm)	43	<b>54</b>	<b>70</b>	86	<b>107</b>	134	160	<b>214</b>	<b>268</b>	321
Masse (Kg)	--	<b>1.970</b>	<b>2.550</b>	--	<b>4.000</b>	--	--	<b>13.900</b>	<b>29.000</b>	--

*These data are for information and can be modified without notice. It is not up to us to appreciate specifications. It is up to the customer to verify the adequacy between the equipment chosen and the real conditions of use.*