



AUTEXIER

MANUFACTURER OF INDUSTRIAL VALVES

93 Rue Louis Blanc - 02300 CHAUNY - FRANCE
Phone : +33 (0)3 23 52 02 86 Fax : +33 (0)3 23 39 52 28
Website : www.autexier.fr

Ref. AU567 Family : 42

Rev. 03

Date : 05 May 2026

Page 1/1

ALUMINIUM BRONZE MALE STRAIGHT UNION FITTING

Ref. AU567.Ø

SERIES :

- AU567

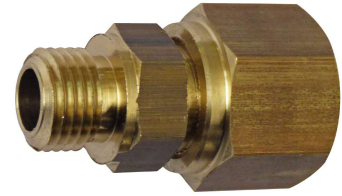
For material compatibility, contact us

CARACTERISTICS :

- PN40 (Nominal Pressure)
- END : Male BSP threaded
- MATERIAL : ALUMINIUM BRONZE CW307G

MAXIMUM CONDITIONS OF USE :

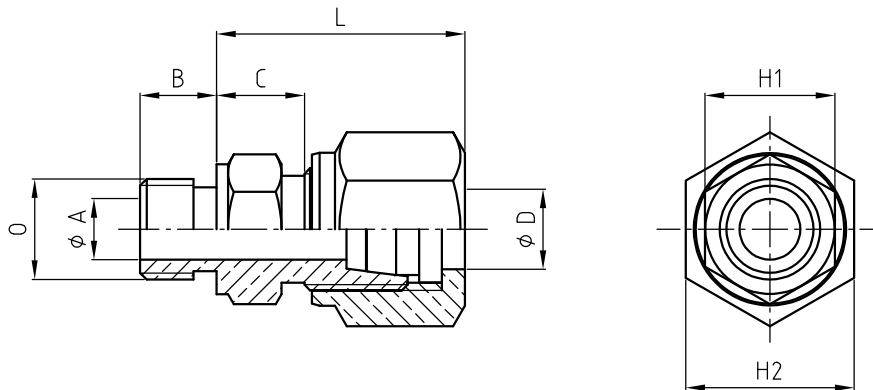
- 40 bar of -10°C to 200°C



Subject to modifications

APPLICATIONS :

- Water-based fluids
- Water
- Seawater



DIMENSIONS

Reference	ØA (mm)	B (mm)	C (mm)	ØD (mm)	H1 (mm)	H2 (mm)	L (mm)	O	Weight (Kg)
AU567.08	6	10	11.5	8.5	17	22	32.5	G 1/4"	0.072
AU567.09	6	10	11.5	8.5	19	22	32.5	G 3/8"	--
AU567.10	8	10	11.5	10.5	17	22	32.5	G 1/4"	0.058
AU567.11	8	14	12.5	10.5	24	22	32.5	G 1/2"	0.145
AU567.12	8	10	13	10.5	22	22	34	G 3/8"	0.120
AU567.13	10	14	12.5	12.5	24	22	32.5	G 1/2"	--
AU567.15	12	12	13	15.5	24	27	35	G 3/8"	0.100
AU567.16	8	10	13	15.5	24	27	35	G 1/4"	0.165
AU567.17	12	14	13	15.5	24	27	35	G 1/2"	--
AU567.21	8	16	12.5	10.5	30	22	32.5	G 3/4"	--

REFERENCES NORMS :

- Material : NF EN 1982 - NF EN 12163 - NF EN 12164 - NF EN 10272
- Testing & checking : NF EN 12266-1/-2 (bench test)

Ref. instruction of assembling :

Ref. instruction of operation :

**Mounting & assembly guides are available
on our website.**

These data are for information and can be modified without notice. It is not up to us to appreciate specifications. It is up to the customer to verify the adequacy between the equipment chosen and the real conditions of use.