



AUTEXIER

MANUFACTURER OF INDUSTRIAL VALVES

93 Rue Louis Blanc - 02300 CHAUNY - FRANCE
 Phone: +33 (0)3 23 52 02 86 Fax: +33 (0)3 23 39 52 28
 Website: www.autexier.fr

Ref. 281-381 Family : 27

Rev. 00

Date : 05 May 2026

Page 1/1

BRONZE SAFETY VALVE

Ref. 281.Ø.Ø / 381.Ø.Ø / 381.Ø.ØBP

SERIES :

- 281.Ø.Ø : PTFE Disc
- 381.Ø.Ø : FPM Disc
- 381.Ø.ØBP : VMQ Disc (low pressure)
- Male inlet / Female outlet

For material compatibility, contact us

CARACTERISTICS :

- PN40 (Nominal Pressure)
- ENDS : BSP threads
- MATERIAL : BRONZE CC491K

MAXIMUM CONDITIONS OF USE :

- Ref. 281.Ø.Ø : 40 bar of -50°C to 225°C
- Ref. 381.Ø.Ø : 40 bar of -15°C to 200°C
- Ref. 381.Ø.ØBP : 40 bar of -50°C to 220°C

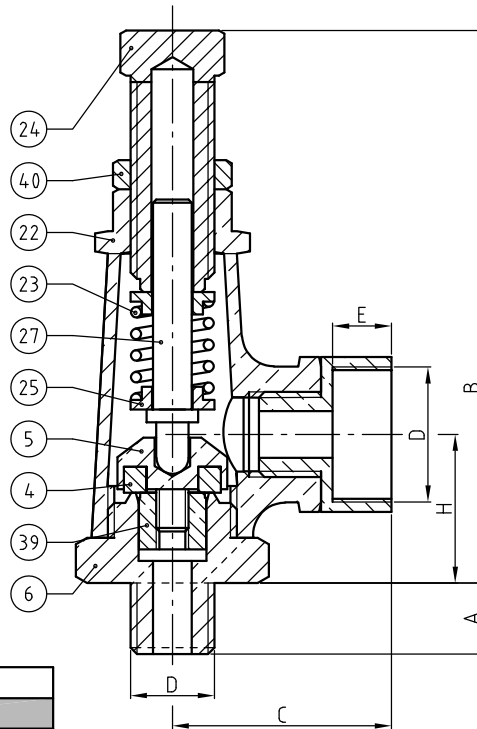
APPLICATIONS :

- Hot water & industrial fluids
- Water-based fluids
- Low pressure steam (8bar)
- Neutral gases (compressed air, ...)

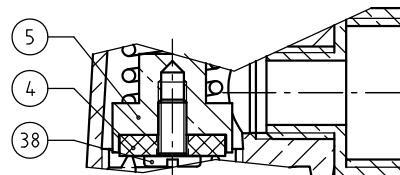
OPTIONS :

- NPT connection
- Flanges connection
- Degreased disc / seat
- Bonnet tightness

Specific dimensions, contact us



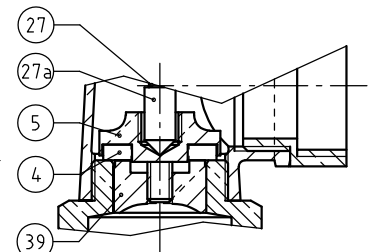
281 : DN15



381 / 381BP: DN15 to DN25



Subject to modifications



281 : DN20 to DN32
381 / 381BP : DN32

NOMENCLATURE			
Rep	Qty	Designation	Material
4	1	DISC	281:PTFE / 381:FPM 381BP:VMQ
5	1	DISC HOLDER	BRASS/BRONZE(DN32)
6	1	SEAT	BRONZE
22	1	LANTERN	BRONZE
23	1	SPRING	STAINLESS STEEL 302
24	1	ADJUSTING SCREW	BRASS
25	1 / 2	CARRIER	BRASS
27	1	NEEDLE	BRASS
27a	1	TIP NEEDLE	BRASS (381 DN32)
38	1	SCREW (380 DN15 to 25)	STAINLESS STEEL A4
39	1	FIN	BRONZE
40	1	NUT	BRASS
69	1	SLEEVE	BRASS

REFERENCES NORMS :

- Material : NF EN 1982 - NF EN 12163 - NF EN 12164 - NF EN 10272
- Testing & checking : NF EN 12266-1/-2 (bench test)
- Threads : ISO 228-1

Ref. instruction of assembling : 0904DA091E

Ref. instruction of operation : 0904DA155E

Mounting & assembly guides are available on our website.

DIMENSIONS				
DN	15/20	20/25	25/32	32/40
A (mm)	15	19	21	22
B Maxi (mm)	118	138	152	192
C (mm)	42*	50*	53*	61*
D	G 1/2"	G 3/4"	G 1"	G 1 1/4"
E (mm)	10	12	14	15
H (mm)	37	47	56	60
O	G 3/4"	G 1"	G 1 1/4"	G 1 1/2"
Weight (Kg) Ref.281	0.412	0.735	1.090	1.602
Weight (Kg) Ref.381	0.425	0.739	1.165	1.595
S Inlet (mm²)	78.5	226.9	346.4	660.5
S Outlet (mm²)	272.6	456.8	720.6	1191.6

*Under reserve

These data are for information and can be modified without notice. It is not up to us to appreciate specifications. It is up to the customer to verify the adequacy between the equipment chosen and the real conditions of use.