



AUTEXIER

MANUFACTURER OF INDUSTRIAL VALVES

93 Rue Louis Blanc - 02300 CHAUNY - FRANCE
 Phone: +33 (0)3 23 52 02 86 Fax: +33 (0)3 23 39 52 28
 Website : www.autexier.fr

Ref. AU379 Family : 27

Rev. 07

Date : 29 Jan. 2026

Page 1/1

ALUMINIUM BRONZE SAFETY VALVE

Ref. AU379.Ø / AU379.ØBP / AU379TØ

SERIES :

- AU379.Ø : FPM Disc
- AU379.Ø : VMQ Disc (low pressure)
- AU379TØ : PTFE Disc
- Male inlet / female outlet
- With handlever

For material compatibility, contact us

CARACTERISTICS :

- PN40 (Nominal Pressure)
- ENDS : BSP Threads
- MATERIAL : ALUMINIUM BRONZE CC333G

MAXIMUM CONDITIONS OF USE :

- Ref. AU379.Ø : 40 bar of -10°C to 200°C
- Ref. AU379.ØBP : 40 bar of -10°C to 220°C
- Ref. AU379TØ : 40 bar of -10°C to 225°C

APPLICATIONS :

- Hot water and industrial fluids
- Water-based fluids
- Steam up to 8 bar (FPM)
- Steam 8 to 15 bar (PTFE)
- Neutral gases (compressed air,...)

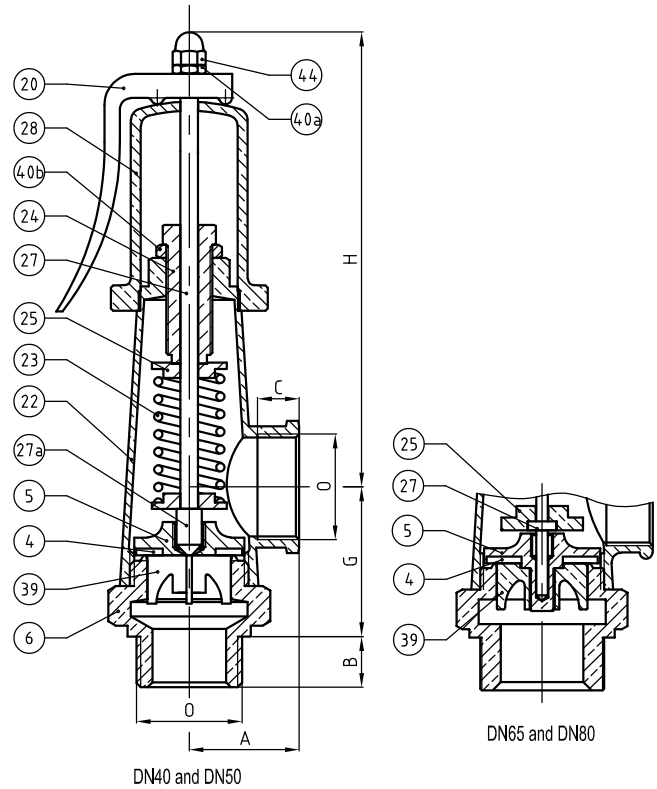
OPTIONS :

- NPT connection
- Flanges connection (AU378)
- Degreased disc

Specific dimensions, contact us



Subject to modifications



NOMENCLATURE			
Rep	Qty	Designation	Material
4	1	DISC	AU379:FPM / AU379BP:VMQ AU379T:PTFE
5	1	DISC HOLDER	ALUMINIUM BRONZE
6	1	SEAT	ALUMINIUM BRONZE
20	1	LEVER	ALUMINIUM BRONZE
22	1	LANTERN	ALUMINIUM BRONZE
23	1	SPRING	STAINLESS STEEL 302
24	1	ADJUSTING SCREW	ALUMINIUM BRONZE
25	2	CARRIER	ALUMINIUM BRONZE
27	1	NEEDLE	ALUMINIUM BRONZE
27a	1	NOZZLE	ALUMINIUM BRONZE
28	1	CAP	ALUMINIUM BRONZE
39	1	FIN	ALUMINIUM BRONZE
40a	1	NUT	ALUMINIUM BRONZE
40b	1	NUT	ALUMINIUM BRONZE
44	1	CAP NUT	ALUMINIUM BRONZE

REFERENCES NORMS :

- Material : NF EN 1982 - NF EN 12163 - NF EN 12164 - NF EN 10272
- Testing & checking : NF EN 12266-1/-2 (bench test)
- Threads : ISO 228-1

Ref. instruction of assembling : 0904DA091E

Ref. instruction of operation : 0904DA098E

Mounting & assembly guides are available on our website.

DIMENSIONS				
DN	40	50	65	80
A (mm)	50	55	67	80
B (mm)	23	27	32	34
C (mm)	19	21	28	32
G (mm)	69	82	95	110
H (mm)	208	231	258	288
O	G 1"1/2	G 2"	G 2"1/2	G 3"
Weight (Kg)	2.541	3.574	5.745	9.190
S Inlet (mm²)	881.4	1385.4	1963.5	3217.0
S Outlet (mm²)	1578.7	2521.0	4095.0	5661.0

These data are for information and can be modified without notice. It is not up to us to appreciate specifications. It is up to the customer to verify the adequacy between the equipment chosen and the real conditions of use.