



# AUTEXIER

MANUFACTURER OF INDUSTRIAL VALVES

93 Rue Louis Blanc - 02300 CHAUNY - FRANCE  
 Phone : +33 (0)3 23 52 02 86 Fax : +33 (0)3 23 39 52 28  
 Website : www.autexier.fr

Ref. 581 Family : 27

Rev. 03

Date : 26 Jan. 2026

Page 1/1

## BRONZE SAFETY VALVE WITH FLANGES

Ref. 581.Ø / 581TØ / 581.ØBP

### SERIES :

- 581T : PTFE Disc
- 581 : FPM Disc
- 581BP : VMQ Disc (low pressure)

For material compatibility, contact us

### CHARACTERISTICS :

- PN40 (Nominal Pressure)
- ENDS : ISO PN16 Flanges
- MATERIAL : BRONZE CC491K

### MAXIMUM CONDITIONS OF USE :

- Ref. 581T: 40 bar of -50°C to 225°C
- Ref. 581: 40 bar of -15°C to 200°C
- Ref. 581BP: 40 bar of -50°C to 220°C

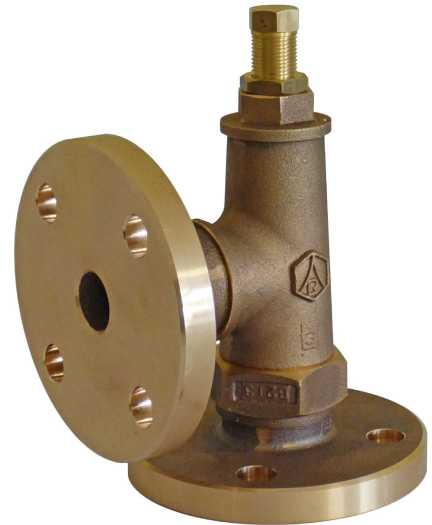
### APPLICATIONS :

- Hot water & industrial fluids
- Water-based fluids
- Low pressure steam (8bar)
- Neutral gases (compressed air, ...)

### OPTIONS :

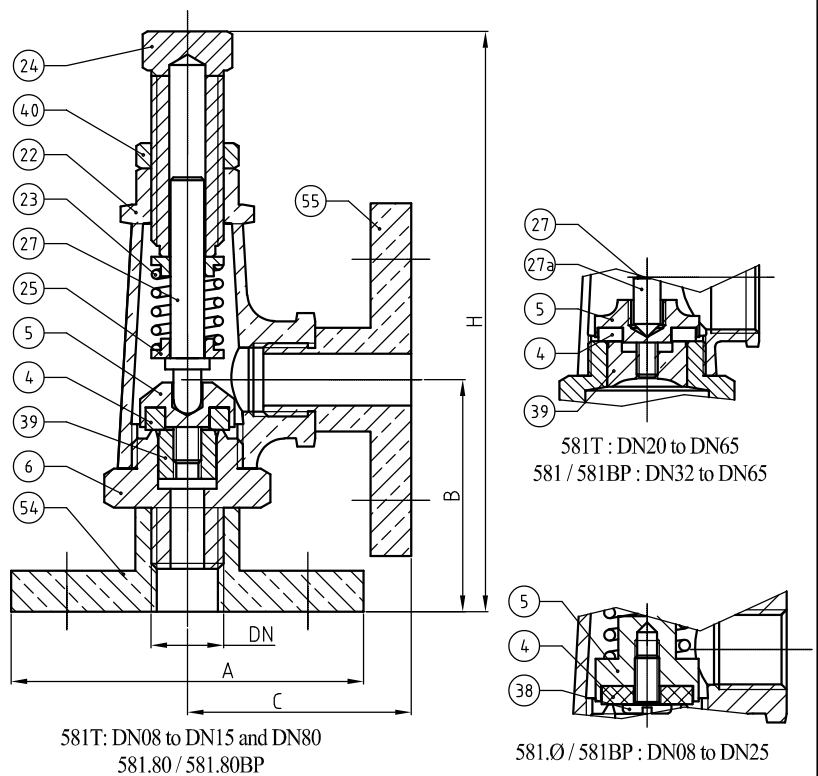
- Degreased disc / seat
- Bonnet tightness

Specific dimensions, contact us



Subject to modifications

NOMENCLATURE			
Rep	Qty	Designation	Material
4	1	DISC	581T:PTFE / 581:FPM 581BP:VMQ
5	1	DISC HOLDER	BRASS/BRONZE (DN32 to 80)
6	1	SEAT	BRONZE
22	1	LANTERN	BRONZE
23	1	SPRING	STAINLESS STEEL 302
24	1	ADJUSTING SCREW	BRASS
25	1 / 2	CARRIER	BRASS/BRONZE (DN65 & 80)
27	1	NEEDLE	BRASS
27a	1	TIP NEEDLE	BRASS
38	1	SCREW	STAINLESS STEEL A4
39	1	FIN	BRONZE
40	1	NUT	BRASS
54	1	FEMALE THREADED FLANGE	BRONZE
55	1	MALE THREADED FLANGE	BRONZE



### REFERENCES NORMS :

- Material : NF EN 1982 - NF EN 12163 - NF EN 12164 - NF EN 10272
- Testing & checking : NF EN 12266-1/-2 (bench test)
- Face-to-face : NF EN 558 - Series 22 (DN15 to DN40) / Series 23 (DN50 to DN80)
- Flanges : NF EN 1092-3

Ref. instruction of assembling : 0904DA091E

Ref. instruction of operation : 0904DA155E

**Mounting & assembly guides are available on our website.**

These data are for information and can be modified without notice. It is not up to us to appreciate specifications. It is up to the customer to verify the adequacy between the equipment chosen and the real conditions of use.

### DIMENSIONS

DN	15	20	25	32	40	50	65	80
A (mm)	95	105	115	140	150	165	185	200
B (mm)	65	70	80	90	95	115	125	135
C (mm)	65	70	80	90	95	115	125	135
H Maxi (mm)	145	154	183	225	237	293	321	347
Weight (Kg) Ref. 581	1.650	2.535	3.240	4.950	6.160	8.560	12.570	17.040
S Inlet (mm <sup>2</sup> )	78.5	226.9	346.4	660.5	881.1	1385.4	1963	3216.9
S Outlet (mm <sup>2</sup> )	272.6	456.8	720.6	1191.6	1578.7	2521	4095	5661