



AUTEXIER

MANUFACTURER OF INDUSTRIAL VALVES

93 Rue Louis Blanc - 02300 CHAUNY - FRANCE
 Phone : +33 (0)3 23 52 02 86 Fax : +33 (0)3 23 39 52 28
 Website : www.autexier.fr

Ref. 479 Family : 27

Rev. 09

Date : 29 Jan. 2026

Page 1/1

BRONZE SAFETY VALVE

Ref. 479.Ø / 479.ØBP / 479TØ

SERIES :

- 479.Ø : FPM Disc
- 479.ØBP : VMQ Disc (low pressure)
- 479TØ : PTFE Disc
- Female inlet / outlet
- With handlever

For material compatibility, contact us

CARACTERISTICS :

- PN40 (Nominal Pressure)
- ENDS : Female BSP threads
- MATERIAL : BRONZE CC491K

MAXIMUM CONDITIONS OF USE :

- Ref. 479.Ø : 40 bar of -15°C to 200°C
- Ref. 479.ØBP : 40 bar of -50°C to 220°C
- Ref. 479TØ : 40 bar of -50°C to 225°C

APPLICATIONS :

- Hot water and industrial fluids
- Water-based fluids
- Steam up to 8 bar (FPM)
- Steam 8 to 15 bar (PTFE)
- Neutral gases (compressed air,...)

OPTIONS :

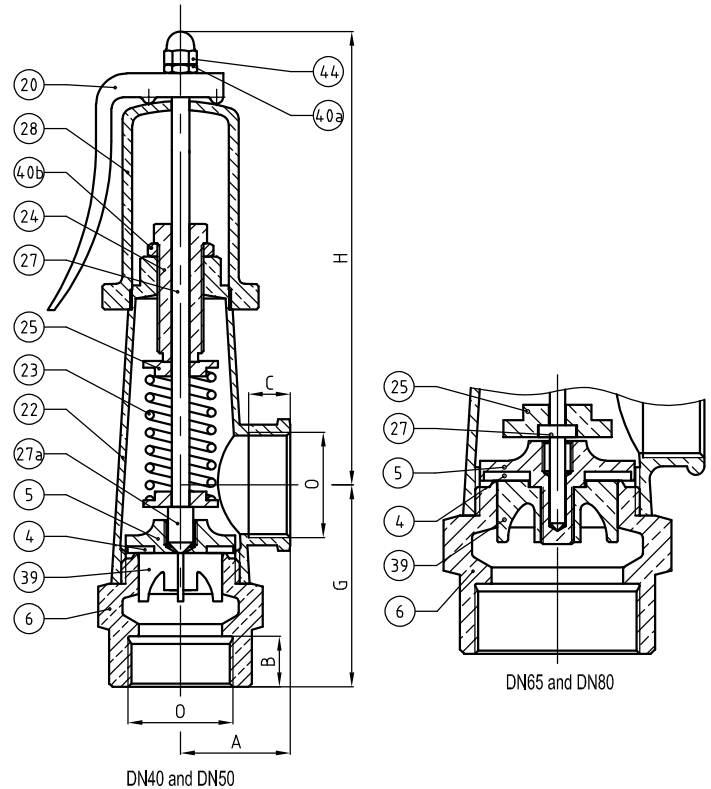
- NPT connection
- Degreased disc

Specific dimensions, contact us



Subject to modifications

NOMENCLATURE			
Rep	Qty	Designation	Material
4	1	DISC	479:FPM / 479BP:VMQ 479T:PTFE
5	1	DISC HOLDER	BRONZE
6	1	SEAT	BRONZE
20	1	LEVER	BRONZE
22	1	LANTERN	BRONZE
23	1	SPRING	STAINLESS STEEL 302
24	1	ADJUSTING SCREW	BRASS
25	2	CARRIER	LAITON/BRONZE (DN65 et 80)
27	1	NEEDLE	BRASS
27a	1	NOZZLE	BRASS
28	1	CAP	BRONZE
39	1	FIN	BRONZE
40a	1	NUT	BRASS
40b	1	NUT	BRASS
44	1	CAP NUT	BRASS



REFERENCES NORMS :

- Material : NF EN 1982 - NF EN 12163 - NF EN 12164 - NF EN 10272
- Testing & checking : NF EN 12266-1/-2 (bench test)
- Female threads : ISO 228-1

Ref. instruction of assembling : 0904DA091E

Ref. instruction of operation : 0904DA098E

Mounting & assembly guides are available on our website.

DIMENSIONS				
DN	40	50	65	80
A (mm)	50	55	67	80
B (mm)	23	27	32	34
C (mm)	19	21	28	32
G (mm)	92	109	127	144
H (mm)	208	231	258	288
O	G 1"1/2	G 2"	G 2"1/2	G 3"
Weight (Kg)	3.200	4.630	7.798	12.373
S Inlet (mm²)	881.4	1385.4	1963.5	3217.0
S Outlet (mm²)	1578.7	2521.0	4095.0	5661.0

These data are for information and can be modified without notice. It is not up to us to appreciate specifications. It is up to the customer to verify the adequacy between the equipment chosen and the real conditions of use.