



AUTEXIER

MANUFACTURER OF INDUSTRIAL VALVES

93 Rue Louis Blanc - 02300 CHAUNY - FRANCE
 Phone : +33 (0)3 23 52 02 86 Fax : +33 (0)3 23 39 52 28
 Website : www.autexier.fr

Ref. 461 Family : 27

Rev. 11

Date : 28 Jan. 2026

Page 1/1

BRONZE SAFETY VALVE

Ref. 461.Ø / 461.ØBP / 461TØ

SERIES :

- 461.Ø : FPM disc
- 461.ØBP : VMQ disc (low pressure)
- 461TØ : PTFE disc
- Female inlet / outlet
- With lifting test handlever

For material compatibility, contact us



CHARACTERISTICS :

- PN40 (Nominal Pressure)
- ENDS : Female BSP threads
- MATERIAL : BRONZE CC491K

MAXIMUM CONDITIONS OF USE :

- 461.Ø : 40 bar of -15°C to 200°C
- 461.ØBP : 40 bar of -50°C to 220°C
- 461TØ : 40 bar of -50°C to 225°C

APPLICATIONS :

- Industrial fluids
- Neutral gases
- Steam (461: 8 bar Maximum / 461T: 8 to 15 bar Maximum)

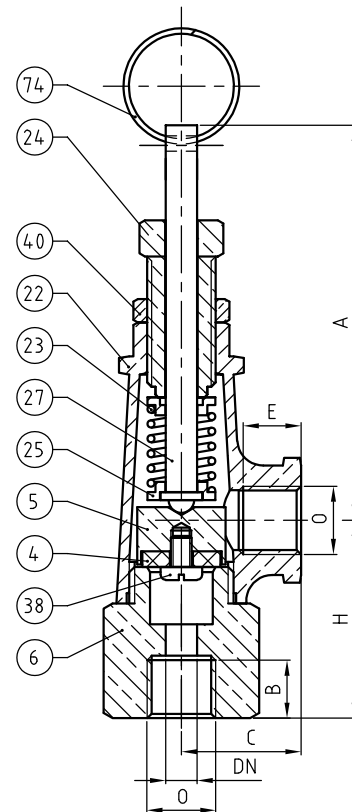
OPTIONS :

- Degreased disc

Specific dimensions, contact us



Subject to modifications



NOMENCLATURE

Rep	Qty	Designation	Material
4	1	DISC	461:FPM / 461BP:VMQ / 461T:PTFE
5	1	DISC HOLDER	BRASS
6	1	SEAT	BRASS
22	1	LANTERN	BRONZE
23	1	SPRING	STAINLESS STEEL 302
24	1	ADJUSTING SCREW	BRASS
25	2	CARRIER	BRASS
27	1	NEEDLE	BRASS
38	1	SCREW	STAINLESS STEEL A4
40	1	NUT	BRASS
74	1	RING	STEEL (NICKEL COATING)

REFERENCES NORMS :

- Material : NF EN 1982 - NF EN 12163 - NF EN 12164 - NF EN 10272
- Testing & checking : NF EN 12266-1/-2 (bench test)
- Female threads : ISO 228-1

Ref. instruction of assembling : 0904DA091E

Ref. instruction of operation : 0904DA096E

Mounting & assembly guides are available on our website.

DIMENSIONS		
DN	08	12
A (mm)	100	100
B (mm)	11	11
C (mm)	23	23
E (mm)	12	12
O	G 1/4"	G 3/8"
H (mm)	35	35
Weight (Kg)	0.200	0.245

These data are for information and can be modified without notice. It is not up to us to appreciate specifications. It is up to the customer to verify the adequacy between the equipment chosen and the real conditions of use.