



# AUTEXIER

MANUFACTURER OF INDUSTRIAL VALVES

93 Rue Louis Blanc - 02300 CHAUNY - FRANCE  
 Phone: +33 (0)3 23 52 02 86 Fax: +33 (0)3 23 39 52 28  
 Website: www.autexier.fr

Ref. 379 Family : 27

Rev. 10

Date : 29 Jan. 2026

Page 1/1

## BRONZE SAFETY VALVE

Ref. 379.Ø / 379.ØBP / 379TØ

### SERIES :

- 379.Ø : FPM Disc
- 379.ØBP : VMQ Disc (low pressure)
- 379TØ : PTFE Disc
- Male inlet / female outlet
- With handlever

For material compatibility, contact us

### CARACTERISTICS :

- PN40 (Nominal Pressure)
- ENDS : BSP Threads
- MATERIAL : BRONZE CC491K

### MAXIMUM CONDITIONS OF USE :

- Ref. 379.Ø : 40 bar of -15°C to 200°C
- Ref. 379.ØBP : 40 bar of -50°C to 220°C
- Ref. 379TØ : 40 bar of -50°C to 225°C

### APPLICATIONS :

- Hot water and industrial fluids
- Water-based fluids
- Steam up to 8 bar (FPM)
- Steam 8 to 15 bar (PTFE)
- Neutral gases (compressed air,...)

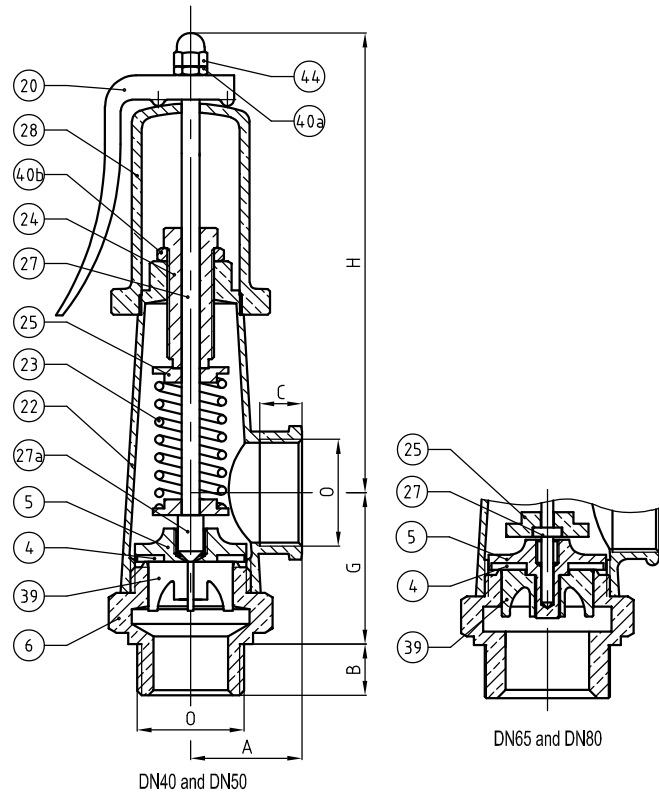
### OPTIONS :

- NPT connection
- Flanges connection (378)
- Degreased disc

Specific dimensions, contact us



Subject to modifications



NOMENCLATURE			
Rep	Qty	Designation	Material
4	1	DISC	379:FPM / 379BP:VMQ 379T:PTFE
5	1	DISC HOLDER	BRONZE
6	1	SEAT	BRONZE
20	1	LEVER	BRONZE
22	1	LANTERN	BRONZE
23	1	SPRING	STAINLESS STEEL 302
24	1	ADJUSTING SCREW	BRASS
25	2	CARRIER	BRASS / BRONZE (DN65 & 80)
27	1	NEEDLE	BRASS
27a	1	NOZZLE	BRASS
28	1	CAP	BRONZE
39	1	FIN	BRONZE
40a	1	NUT	BRASS
40b	1	NUT	BRASS
44	1	CAP NUT	BRASS

### REFERENCES NORMS :

- Material : NF EN 1982 - NF EN 12163 - NF EN 12164 - NF EN 10272
- Testing & checking : NF EN 12266-1/-2 (bench test)
- Threads : ISO 228-1

Ref. instruction of assembling : 0904DA091E

Ref. instruction of operation : 0904DA098E

**Mounting & assembly guides are available on our website.**

DIMENSIONS				
DN	40	50	65	80
A (mm)	50	55	67	80
B (mm)	23	27	32	34
C (mm)	19	21	28	32
G (mm)	69	82	95	110
H (mm)	208	231	258	288
O	G 1"1/2	G 2"	G 2"1/2	G 3"
Weight (Kg)	2.950	4.150	6.670	10.67
S Inlet (mm²)	881.4	1385.4	1963.5	3217.0
S Outlet (mm²)	1578.7	2521.0	4095.0	5661.0

These data are for information and can be modified without notice. It is not up to us to appreciate specifications. It is up to the customer to verify the adequacy between the equipment chosen and the real conditions of use.