



AUTEXIER

MANUFACTURER OF INDUSTRIAL VALVES

93 Rue Louis Blanc - 02300 CHAUNY - FRANCE
Phone : +33 (0)3 23 52 02 86 Fax : +33 (0)3 23 39 52 28
Website : www.autexier.fr

Ref. 362 Family : 27

Rev. 11

Date : 28 Jan. 2026

Page 1/1

BRONZE SAFETY VALVE

Ref. 362.Ø / 362.ØBP / 362TØ

SERIES :

- 362.Ø : FPM Disc
- 362.ØBP : VMQ Disc (low pressure)
- 362TØ : PTFE Disc
- Male inlet
- Free outlet
- With lifting test handlever

For material compatibility, contact us



CHARACTERISTICS :

- PN40 (Nominal Pressure)
- ENDS : BSP Thread
- MATERIAL : BRONZE CC491K

MAXIMUM CONDITIONS OF USE :

- Ref. 362.Ø : 40 bar of -15°C to 200°C
- Ref. 362.ØBP : 40 bar of -50°C to 220°C
- Ref. 362TØ : 40 bar of -50°C to 225°C

APPLICATIONS :

- Compressed air
- Non-toxic gases
- Oxygen

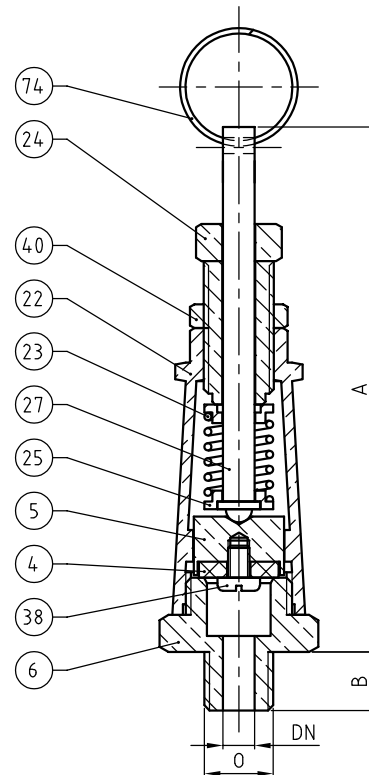
OPTIONS :

- Degreased disc

Specific dimensions, contact us



Subject to modifications



NOMENCLATURE			
Rep	Qty	Designation	Material
4	1	DISC	362:FPM / 362BP:VMQ / 362T:PTFE
5	1	DISC HOLDER	BRASS
6	1	SEAT	BRASS
22	1	LANTERN	BRONZE
23	1	SPRING	STAINLESS STEEL 302
24	1	ADJUSTING SCREW	BRASS
25	2	CARRIER	BRASS
27	1	NEEDLE	BRASS
38	1	SCREW	STAINLESS STEEL A4
40	1	NUT	BRASS
74	1	RING	STEEL (NICKEL COATING)

REFERENCES NORMS :

- Material : NF EN 1982 - NF EN 12163 - NF EN 12164 - NF EN 10272
- Testing & checking : NF EN 12266-1/-2 (bench test)
- Thread : ISO 228-1

Ref. instruction of assembling : 0904DA091E

Ref. instruction of operation : 0904DA097E

Mounting & assembly guides are available on our website.

DIMENSIONS		
DN	08	12
A (mm)	100	100
B (mm)	11	11
O	G 1/4"	G 3/8"
Weight (Kg)	0.184	0.188

These data are for information and can be modified without notice. It is not up to us to appreciate specifications. It is up to the customer to verify the adequacy between the equipment chosen and the real conditions of use.