



# AUTEXIER

MANUFACTURER OF INDUSTRIAL VALVES

93 Rue Louis Blanc - 02300 CHAUNY - FRANCE  
Phone : +33 (0)3 23 52 02 86 Fax : +33 (0)3 23 39 52 28  
Website : www.autexier.fr

Ref. 361 Family : 27

Rev. 11

Date : 28 Jan. 2026

Page 1/1

## BRONZE SAFETY VALVE

Ref. 361.Ø / 361.ØBP / 361TØ

### SERIES :

- 361.Ø : FPM disc
- 361.ØBP : VMQ disc (low pressure)
- 361TØ : PTFE disc
- Male inlet / female outlet
- With lifting test handlever

*For material compatibility, contact us*

### CHARACTERISTICS :

- PN40 (Nominal Pressure)
- ENDS : BSP Threads
- MATERIAL : BRONZE CC491K

### MAXIMUM CONDITIONS OF USE :

- 361.Ø : 40 bar of -15°C to 200°C
- 361.ØBP : 40 bar of -50°C to 220°C
- 361TØ : 40 bar of -50°C to 225°C

### APPLICATIONS :

- Industrial fluids
- Neutral gases
- Steam (361: 8 bar Maximum / 361T: 8 to 15 bar Maximum)

### OPTIONS :

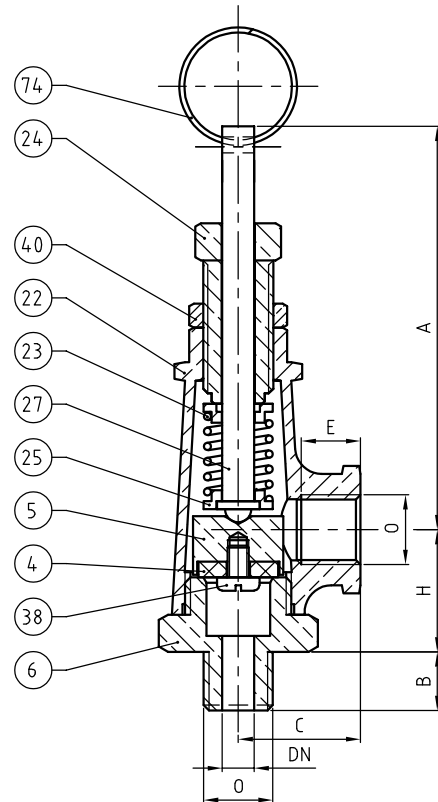
- Degreased disc

*Specific dimensions, contact us*



*Subject to modifications*

NOMENCLATURE			
Rep	Qty	Designation	Material
4	1	DISC	361:FPM / 361BP:VMQ / 361T:PTFE
5	1	DISC HOLDER	BRASS
6	1	SEAT	BRASS
22	1	LANTERN	BRONZE
23	1	SPRING	STAINLESS STEEL 302
24	1	ADJUSTING SCREW	BRASS
25	2	CARRIER	BRASS
27	1	NEEDLE	BRASS
38	1	SCREW	STAINLESS STEEL A4
40	1	NUT	BRASS
74	1	RING	STEEL (NICKEL COATING)



### REFERENCES NORMS :

- Material : NF EN 1982 - NF EN 12163 - NF EN 12164 - NF EN 10272
- Testing & checking : NF EN 12266-1/-2 (bench test)
- Threads : ISO 228-1

Ref. instruction of assembling : 0904DA091E

Ref. instruction of operation : 0904DA096E

**Mounting & assembly guides are available on our website.**

DIMENSIONS		
DN	08	12
A (mm)	100	100
B (mm)	11	11
C (mm)	23	23
E (mm)	12	12
O	G 1/4"	G 3/8"
H (mm)	23	23
Weight (Kg)	0.190	0.223

*These data are for information and can be modified without notice. It is not up to us to appreciate specifications. It is up to the customer to verify the adequacy between the equipment chosen and the real conditions of use.*