



# AUTEXIER

MANUFACTURER OF INDUSTRIAL VALVES

93 Rue Louis Blanc - 02300 CHAUNY - FRANCE  
 Phone: +33 (0)3 23 52 02 86 Fax: +33 (0)3 23 39 52 28  
 Website: www.autexier.fr

Ref. 281-381 Family : 27

Rev. 14

Date : 26 Jan. 2026

Page 1/1

## BRONZE SAFETY VALVE

Ref. 281.Ø / 381.Ø / 381.ØBP

### SERIES :

- 281 : PTFE Disc
- 381 : FPM Disc
- 381BP : VMQ Disc (low pressure)
- Male inlet / Female outlet

For material compatibility, contact us

### CARACTERISTICS :

- PN40 (Nominal Pressure)
- ENDS : BSP threads
- MATERIAL : BRONZE CC491K

### MAXIMUM CONDITIONS OF USE :

- Ref. 281 : 40 bar of -50°C to 225°C
- Ref. 381 : 40 bar of -15°C to 200°C
- Ref. 381BP : 40 bar of -50°C to 220°C

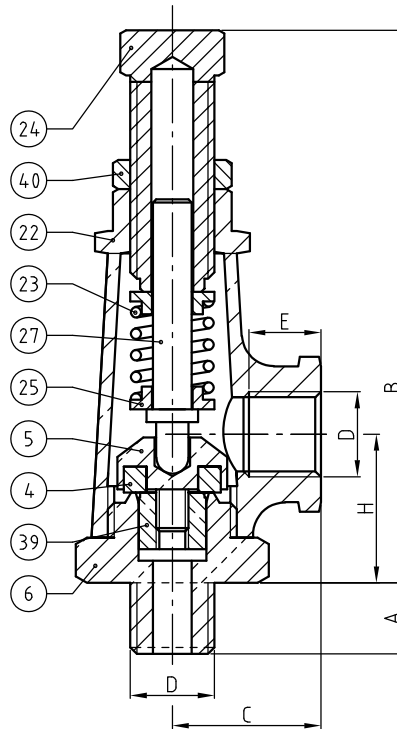
### APPLICATIONS :

- Hot water & industrial fluids
- Water-based fluids
- Low pressure steam (8bar)
- Neutral gases (compressed air, ...)

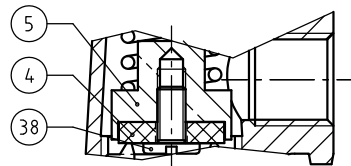
### OPTIONS :

- NPT connection
- Flanges connection
- Degreased disc / seat
- Bonnet tightness

Specific dimensions, contact us



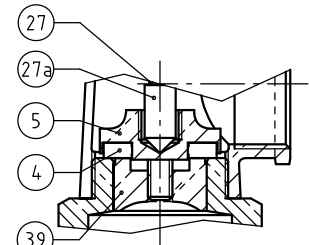
281 : DN08 to DN15 and DN80  
381.80 / 381.80BP



381 / 381BP: DN08 to DN25



Subject to modifications



281 : DN20 to DN65  
381 / 381BP : DN32 to DN65

NOMENCLATURE			
Rep	Qty	Designation	Material
4	1	DISC	281:PTFE / 381:FPM 381BP:VMQ
5	1	DISC HOLDER	BRASS/BRONZE (DN32 to 80)
6	1	SEAT	BRASS (DN08 & 12)/BRONZE
22	1	LANTERN	BRONZE
23	1	SPRING	STAINLESS STEEL 302
24	1	ADJUSTING SCREW	BRASS
25	1 / 2	CARRIER	BRASS/BRONZE (DN65 & 80)
27	1	NEEDLE	BRASS
27a	1	TIP NEEDLE	BRASS (381 DN32 to 65)
38	1	SCREW (380 DN08 to 25)	STAINLESS STEEL A4
39	1	FIN	BRONZE
40	1	NUT	BRASS

### REFERENCES NORMS :

- Material : NF EN 1982 - NF EN 12163 - NF EN 12164 - NF EN 10272
- Testing & checking : NF EN 12266-1/-2 (bench test)
- Threads : ISO 228-1

Ref. instruction of assembling : 0904DA091E

Ref. instruction of operation : 0904DA155E

**Mounting & assembly guides are available on our website.**

These data are for information and can be modified without notice. It is not up to us to appreciate specifications. It is up to the customer to verify the adequacy between the equipment chosen and the real conditions of use.

DIMENSIONS											
DN	08	12	15	20	25	32	40	50	65	80	
A (mm)	11	11	15	19	21	22	23	27	32	34	
B Maxi (mm)	91	92	118	138	152	192	212	255	275	326	
C (mm)	23	23	28	34	36	42	50	55	67	80	
D	G 1/4"	G 3/8"	G 1/2"	G 3/4"	G 1"	G 1 1/4"	G 1 1/2"	G 2"	G 2 1/2"	G 3"	
E (mm)	12	12	14	17	17	18	19	21	28	32	
H (mm)	23	23	37	47	56	60	68	81	93	109	
Weight (kg) Ref.281	0.230	0.199	0.372	0.671	0.990	1.457	2.150	3.310	5.125	9.310	
Weight (kg) Ref.381	0.209	0.208	0.385	0.675	1.065	1.450	2.100	3.150	5.800	9.200	
S Inlet (mm²)	28.3	50.2	78.5	226.9	346.4	660.5	881.1	1385.4	1963	3216.9	
S Outlet (mm²)	102.8	175.5	272.6	456.8	720.6	1191.6	1578.7	2521	4095	5661	