



# AUTEXIER

MANUFACTURER OF INDUSTRIAL VALVES

93 Rue Louis Blanc - 02300 CHAUNY - FRANCE  
Phone : +33 (0)3 23 52 02 86 Fax : +33 (0)3 23 39 52 28  
Website : www.autexier.fr

Ref. 2097B Family : 10

Rev. 11

Date : 07 April 2026

Page 1/1

## BRONZE SELF-CLOSING LEVER GLOBE VALVE Ref. 2097BØM

### SERIES :

- 2097B
- With hand lever

*For material compatibility, contact us*



### CHARACTERISTICS :

- PN10 (Nominal Pressure)
- ENDS : BSP Female threads
- MATERIAL : BRONZE CC491K

### MAXIMUM CONDITIONS OF USE :

- 10 bar of -15°C to 200°C

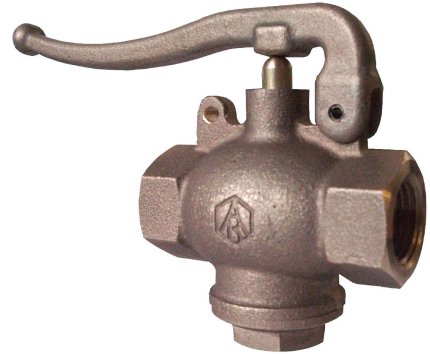
### APPLICATIONS :

- Water-based fluids
- Water
- Non-toxic gases
- Oil & gas

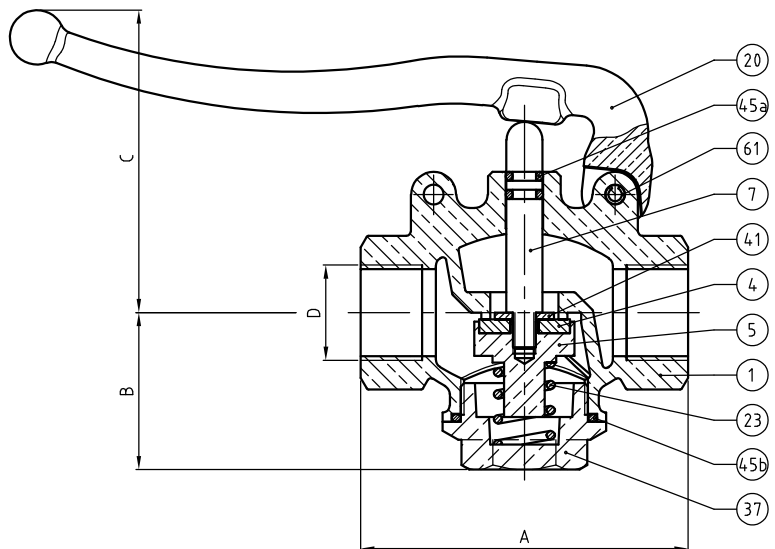
### OPTIONS :

- NPT/API connection
- Foot lever (2097BØ)

*Specific dimensions, contact us*



*Subject to modifications*



### NOMENCLATURE

Rep	Qty	Designation	Material
1	1	BODY	BRONZE
4	1	DISC	FPM
5	1	DISC HOLDER	BRONZE
7	1	STEM	BRASS
20	1	LEVER	BRONZE
23	1	SPRING	STAINLESS STEEL 302
37	1	PLUG	BRONZE
41	1	WASHER	BRASS
45a	2	O-RING	FPM
45b	1	O-RING	FPM
61	1	PIN	STAINLESS STEEL A2

### REFERENCES NORMS :

- Material : NF EN 1982 - NF EN 12163 - NF EN 12164 - NF EN 10272
- Testing & checking : NF EN 12266-1/-2 (bench test)
- Female threads : ISO 228-1

### DIMENSIONS

DN	08	12	15	20	25
A (mm)	65	65	65	84	98
B (mm)	30	30	34.5	42.5	52
C (mm)	64	64	67	77	84
D	G 1/4"	G 3/8"	G 1/2"	G 3/4"	G 1"
Weight (Kg)	0.368	0.348	0.320	-	1.500

Ref. instruction of assembling : 0904DA102E

Ref. instruction of operation : 0904DA103E

**Mounting & assembly guides are available on our website.**

*These data are for information and can be modified without notice. It is not up to us to appreciate specifications. It is up to the customer to verify the adequacy between the equipment chosen and the real conditions of use.*