



# AUTEXIER

MANUFACTURER OF INDUSTRIAL VALVES

93 Rue Louis Blanc - 02300 CHAUNY - FRANCE  
 Phone: +33 (0)3 23 52 02 86 Fax: +33 (0)3 23 39 52 28  
 Website: www.autexier.fr

Ref. 189 Family : 27

Rev. 19

Date : 30 Jan. 2026

Page 1/1

## BRONZE SAFETY VALVE

Ref. 189.Ø / 189.ØBP / 189T.Ø

**SERIES :**

- 189 : FPM disc
- 189BP : VMQ disc (low pressure)
- 189T : PTFE disc
- Male inlet / female outlet

*For material compatibility, contact us*

**CHARACTERISTICS :**

- PN40 (Nominal Pressure)
- ENDS : BSP Threads
- MATERIAL : BRONZE CC491K

**MAXIMUM CONDITIONS OF USE :**

- Ref. 189 : 40 bar of -15°C to 200°C
- Ref. 189BP : 40 bar of -50°C to 220°C
- Ref. 189T : 40 bar of -50°C to 225°C

**APPLICATIONS :**

- Hot water & Industrial fluids
- Water-based fluids
- Steam up to 8 bar (FPM)
- Steam 8 to 15 bar (PTFE)
- Neutral gases (compressed air,...)

**OPTIONS :**

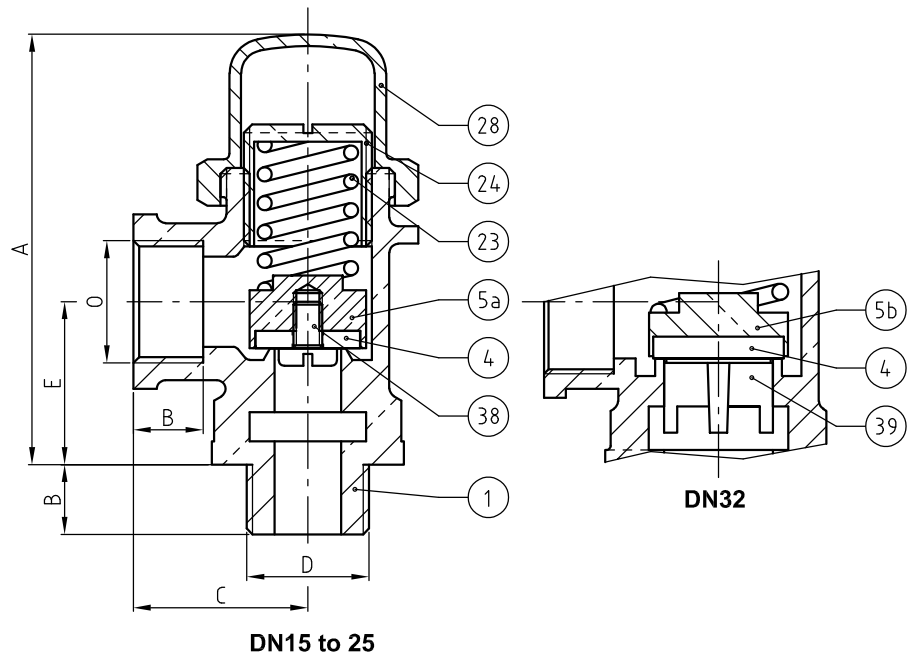
- Nickel coating
- Flange connection
- NPT connection
- Degreased disc / seat

*Specific dimensions, contact us*



*Subject to modifications*

DIMENSIONS				
DN	15	20	25	32
A (mm)	74	85	100	122
B (mm)	12	14	16	18
C (mm)	30	35	40	45
D	G 1/2"	G 3/4"	G 1"	G 1 1/4"
E (mm)	28	35	39	43
O	G 1/2"	G 3/4"	G 1"	G 1 1/4"
Weight (Kg)	0.335	0.560	0.934	1.405
S Inlet (mm²)	103.8	226.9	490.6	706.9
S Outlet (mm²)	272.6	456.8	720.6	1191.6



**DN32**

NOMENCLATURE			
Rep	Qty	Designation	Material
1	1	BODY	BRONZE
4	1	DISC	189:FPM / 189BP:VMQ 189T:PTFE
5a	1	DISC HOLDER (DN15 to DN25)	BRASS
5b	1	DISC HOLDER (DN32)	BRASS
23	1	SPRING	STAINLESS STEEL 302
24	1	ADJUSTING SCREW	BRASS
28	1	CAP	BRONZE
38	1	SCREW (DN15 to DN25)	STAINLESS STEEL A4
39	1	FIN (DN32)	BRONZE

**REFERENCES NORMS :**

- Material : NF EN 1982 - NF EN 12163 - NF EN 12164 - NF EN 10272
- Testing & checking : NF EN 12266-1/-2 (bench test)
- Threads : ISO 228-1

Ref. instruction of assembling : 0904DA091E

Ref. instruction of operation : 0904DA153E

**Mounting & assembly guides are available on our website.**

*These data are for information and can be modified without notice. It is not up to us to appreciate specifications. It is up to the customer to verify the adequacy between the equipment chosen and the real conditions of use.*