



AUTEXIER

MANUFACTURER OF INDUSTRIAL VALVES

93 Rue Louis Blanc - 02300 CHAUNY - FRANCE
Phone : +33 (0)3 23 52 02 86 Fax : +33 (0)3 23 39 52 28
Website : www.autexier.fr

Ref. 183 / 283 Family : 27

Rev. 10

Date : 30 Jan. 2026

Page 1/1

BRONZE SAFETY VALVE

Ref. 183.Ø / 183.ØBP / 283.Ø

SERIES :

- 183.Ø : FPM disc
- 183.ØBP : VMQ disc (low pressure)
- 283.Ø : PTFE disc
- Female inlet / female outlet

For material compatibility, contact us

CHARACTERISTICS :

- PN40 (Nominal Pressure)
- ENDS : Female BSP Threads
- MATERIAL : BRONZE CC491K

MAXIMUM CONDITIONS OF USE :

- Ref. 183 : 40 bar of -15°C to 200°C
- Ref. 183BP : 40 bar of -50°C to 220°C
- Ref. 283 : 40 bar of -50°C to 225°C

APPLICATIONS :

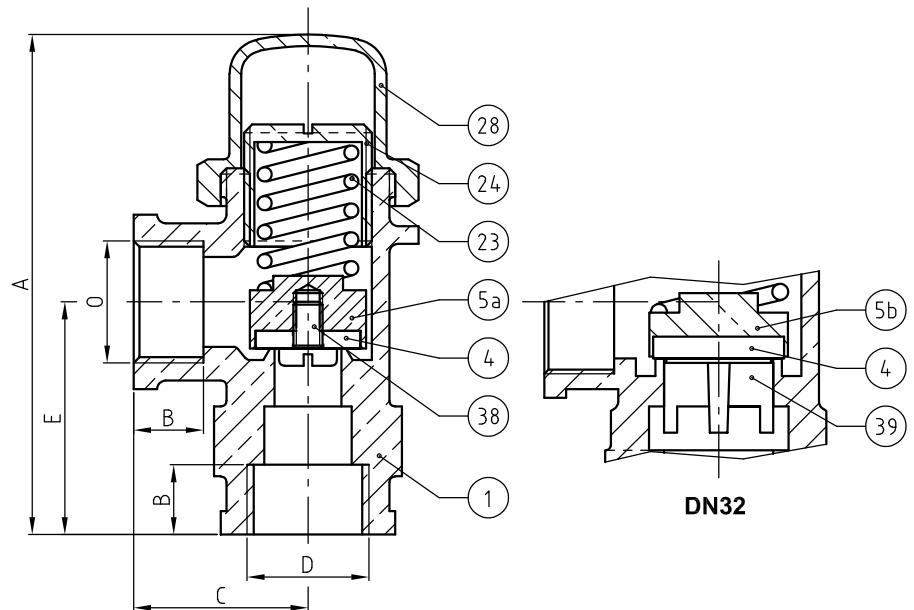
- Hot water & Industrial fluids
- Water-based fluids
- Steam up to 8 bar (FPM)
- Steam 8 to 15 bar (PTFE)
- Neutral gases (compressed air,...)

OPTIONS :

- Nickel coating
- Flange connection
- NPT connection
- Degreased disc / seat

Specific dimensions, contact us

DIMENSIONS				
DN	15	20	25	32
A (mm)	86	100	117	140
B (mm)	12	14	16	18
C (mm)	30	35	40	45
D	G 1/2"	G 3/4"	G 1"	G 1 1/4"
E (mm)	40	49	55	61
O	G 1/2"	G 3/4"	G 1"	G 1 1/4"
Weight (Kg)	0.455	0.588	0.974	1.445
S Inlet (mm ²)	272.6	456.8	720.6	1191.6
S Outlet (mm ²)	272.6	456.8	720.6	1191.6



DN15 to 20

DN32

REFERENCES NORMS :

- Material : NF EN 1982 - NF EN 12163 - NF EN 12164 - NF EN 10272
- Testing & checking : NF EN 12266-1/-2 (bench test)
- Female threads : ISO 228-1

Ref. instruction of assembling : 0904DA091E

Ref. instruction of operation : 0904DA153E

Mounting & assembly guides are available on our website.

These data are for information and can be modified without notice. It is not up to us to appreciate specifications. It is up to the customer to verify the adequacy between the equipment chosen and the real conditions of use.



Subject to modifications

NOMENCLATURE

Rep	Qty	Designation	Material
1	1	BODY	BRONZE
4	1	DISC	183:FPM / 183BP:VMQ 283:PTFE
5a	1	DISC HOLDER (DN15 to DN25)	BRASS
5b	1	DISC HOLDER (DN32)	BRASS
23	1	SPRING	STAINLESS STEEL 302
24	1	ADJUSTING SCREW	BRASS
28	1	CAP	BRONZE
38	1	SCREW (DN15 to DN25)	STAINLESS STEEL A4
39	1	FIN (DN32)	BRONZE