



# AUTEXIER

MANUFACTURER OF INDUSTRIAL VALVES

93 Rue Louis Blanc - 02300 CHAUNY - FRANCE  
 Phone : +33 (0)3 23 52 02 86 Fax : +33 (0)3 23 39 52 28  
 Website : www.autexier.fr

Ref. 182 / 282 Family : 27

Rev. 09

Date : 30 Jan. 2026

Page 1/1

## BRONZE SAFETY VALVE

Ref. 182.0.0 / 182.0.0BP / 282.0.0

### SERIES :

- 182.0.0 : FPM disc
- 182.0.0BP : VMQ disc (low pressure)
- 282.0.0 : PTFE disc
- Female inlet / female outlet
- With lifting test handlever

For material compatibility, contact us

### CARACTERISTICS :

- PN40 (Nominal Pressure)
- ENDS : Female BSP threads
- MATERIAL : BRONZE CC491K

### MAXIMUM CONDITIONS OF USE :

- Ref. 182 : 40 bar of -15°C to 200°C
- Ref. 182BP : 40 bar of -50°C to 220°C
- Ref. 282 : 40 bar of -50°C to 225°C

### APPLICATIONS :

- Hot water and Industrial fluids
- Water-based fluids
- Steam up to 8 bar (FPM)
- Steam 8 to 15 bar (PTFE)
- Neutral gases (compressed air,...)

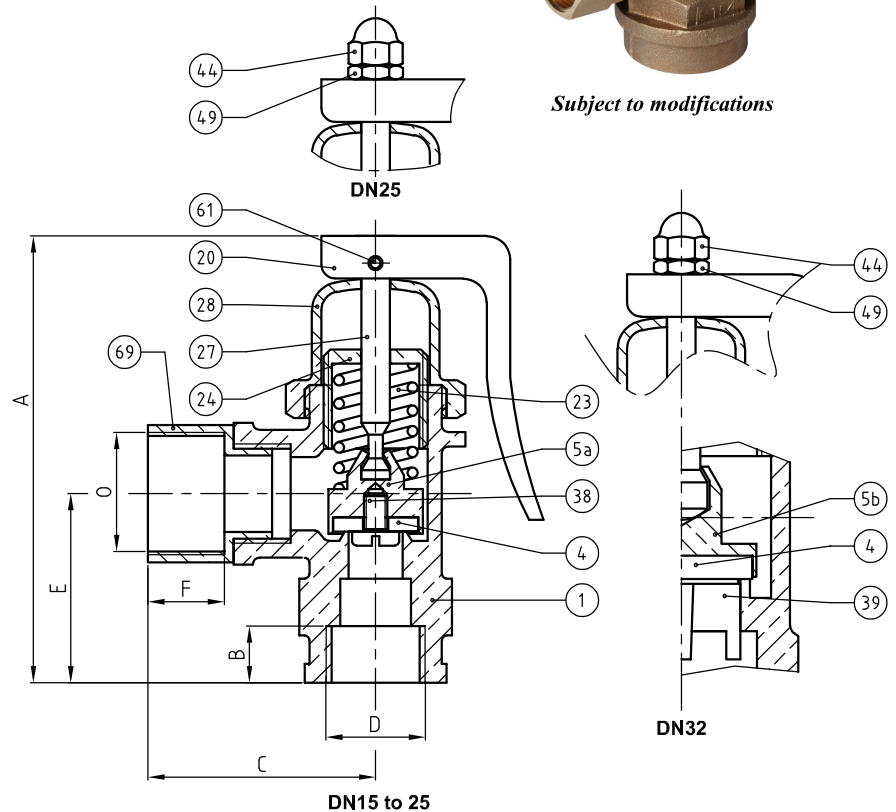
### OPTIONS :

- Nickel coating
- Flanged or NPT connection
- Degreased disc

Specific dimensions, contact us



Subject to modifications



DIMENSIONS				
DN	15/20	20/25	25/32	32/40
A (mm)	100	114	136	167
B (mm)	12	14	16	18
C (mm)	44*	53*	59*	64*
E (mm)	40	49	55	61
F (mm)	10	12	14	15
D	G 1/2"	G 3/4"	G 1"	G 1 1/4"
O	G 3/4"	G 1"	G 1 1/4"	G 1 1/2"
Weight (Kg)	0.455	0.700	1.162	1.735
S inlet (mm <sup>2</sup> )	272.6	456.8	720.6	1191.6
S outlet (mm <sup>2</sup> )	456.8	720.6	1191.6	1579.5

\*Under reserve

### REFERENCES NORMS :

- Material : NF EN 1982 - NF EN 12163 - NF EN 12164 - NF EN 10272
- Testing & checking : NF EN 12266-1/-2 (bench test)
- Female threads : ISO 228-1

Ref. instruction of assembling : 0904DA091E

Ref. instruction of operation : 0904DA094E

**Mounting & assembly guides are available on our website.**

These data are for information and can be modified without notice. It is not up to us to appreciate specifications. It is up to the customer to verify the adequacy between the equipment chosen and the real conditions of use.

NOMENCLATURE			
Rep	Qty	Designation	Material
1	1	BODY	BRONZE
4	1	DISC (DN15 to DN25)	182:FPM / 182BP:VMQ 282:PTFE
5a	1	DISC HOLDER (DN15 to DN25)	BRASS
5b	1	DISC HOLDER (DN32)	BRASS
20	1	LEVER	BRONZE
23	1	SPRING	STAINLESS STEEL 302
24	1	ADJUSTING SCREW	BRASS
27	1	NEEDLE	BRASS
28	1	CAP	BRONZE
38	1	SCREW (DN15 to DN25)	STAINLESS STEEL A4
39	1	FIN (DN32)	BRONZE
44	1	CAP NUT (DN25/32)	BRASS
49	1	LOCK NUT (DN25/32)	BRASS
61	1	PIN	STAINLESS STEEL A2
69	1	SLEEVE	BRASS