



# AUTEXIER

MANUFACTURER OF INDUSTRIAL VALVES

93 Rue Louis Blanc - 02300 CHAUNY - FRANCE  
Phone : +33 (0)3 23 52 02 86 Fax : +33 (0)3 23 39 52 28  
Website : www.autexier.fr

Ref. AU75 Family : 49

Rev. 01

Date : 11 Feb. 2025

Page 1/1

## ALUMINIUM BRONZE 3 WAY BALL VALVE Ref. AU75L32

### SERIES :

- AU75
- Three-way L

For material compatibility, contact us

### CHARACTERISTICS :

- PN30 (Nominal Pressure)
- ENDS : BSP Female threads
- MATERIAL : ALUMINIUM BRONZE CC332G

### MAXIMUM CONDITIONS OF USE :

- 30 bar of -10°C to 200°C

### APPLICATIONS :

- Water-based fluids
- Oil & gas

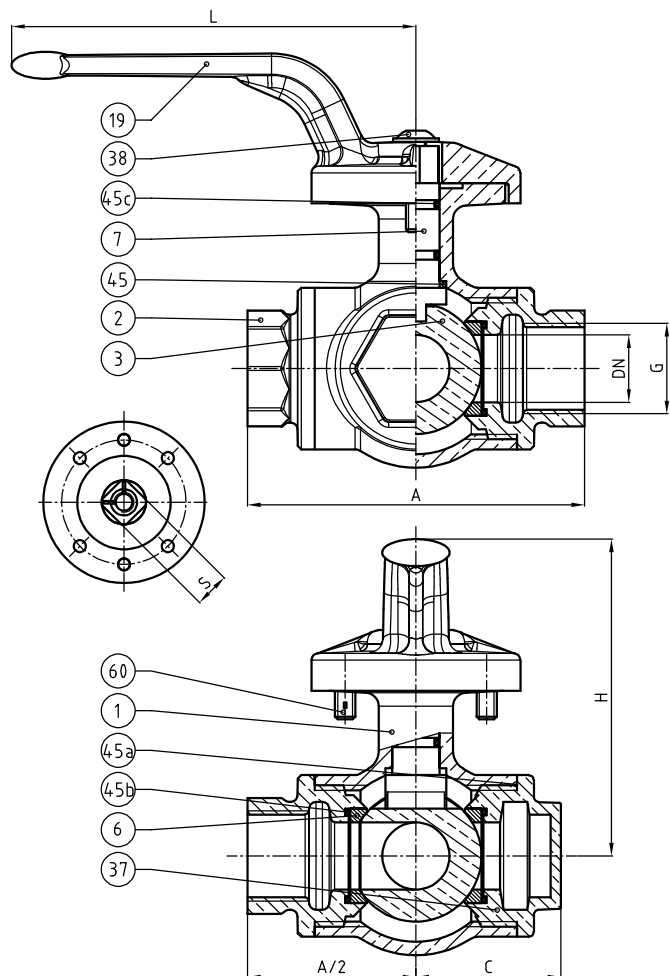
### OPTIONS :

- NPT / API Connection
- Lockable handle
- Monel stem and ball
- Fourth way

Specific dimensions, contact us



Subject to modifications



### NOMENCLATURE

Rep	Qty	Designation	Material
1	1	BODY	ALUMINIUM BRONZE
2	3	COVER	ALUMINIUM BRONZE
3	1	BALL	ALUMINIUM BRONZE
6	4	SEAT	PTFE
7	1	STEM	ALUMINIUM BRONZE
19	1	HANDLE	ALUMINIUM BRONZE
37	1	PLUG	ALUMINIUM BRONZE
38	1	SCREW	STAINLESS STEEL A4-70
45	1	GASKET	PTFE
45a	4	O-RING	FPM
45b	4	O-RING	FPM
45c	2	O-RING	FPM
60	2	SPRING PLUNGERS	STAINLESS STEEL A1

### REFERENCES NORMS :

- Material : NF EN 1982 - NF EN 12163 - NF EN 12164 - NF EN 10272
- Testing & checking : NF EN 12266-1/-2 (bench test)

Ref. instruction of assembling : 0904DA157E

Ref. instruction of operation : 0904DA158E

**Mounting & assembly guides are available on our website.**

DIMENSIONS	
DN	32
A (mm)	125
C (mm)	57
H (mm)	107
L (mm)	165
S (mm)	14
Base ISO	F05
Maximum torque (N.m)	20
Weight (Kg)	3.050

These data are for information and can be modified without notice. It is not up to us to appreciate specifications. It is up to the customer to verify the adequacy between the equipment chosen and the real conditions of use.