



# AUTEXIER

MANUFACTURER OF INDUSTRIAL VALVES

93 Rue Louis Blanc - 02300 CHAUNY - FRANCE  
 Phone : +33 (0)3 23 52 02 86 Fax : +33 (0)3 23 39 52 28  
 Website : www.autexier.fr

Ref. AU72 Family : 49

Rev. 11

Date : 07 Feb 2025

Page 1/2

## ALUMINIUM BRONZE BALL VALVE WITH FLANGE AND GUILLEMIN COUPLING

### Ref. AU72.Ø

**SERIES :**

- AU72
  - Integrated Guillemin coupling
- For material compatibility, contact us*



**CARACTERISTICS :**

- PN16 (Nominal Pressure)
- ENDS : ISO PN16 Flanges and Guillemin coupling
- MATERIAL : ALUMINIUM BRONZE CC333G

**MAXIMUM CONDITIONS OF USE :**

- 16 bar of -10°C to 100°C

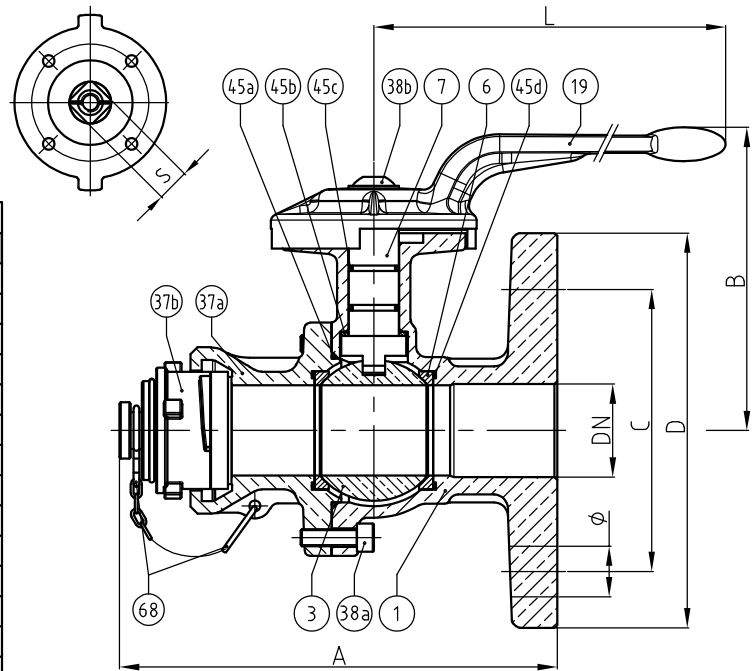
**APPLICATIONS :**

- Water-based fluids
- Oil & gas
- Seawater

**OPTIONS :**

- Special drilling
  - Monel Trim
- Specific dimensions, contact us*

*Subject to modifications*



| NOMENCLATURE |     |                |                       |
|--------------|-----|----------------|-----------------------|
| Rep          | Qty | Designation    | Material              |
| 1            | 1   | BODY           | ALUMINIUM BRONZE      |
| 3            | 1   | SHUTTER        | ALUMINIUM BRONZE      |
| 6            | 2   | SEAT           | PTFE                  |
| 7            | 1   | STEM           | ALUMINIUM BRONZE      |
| 19           | 1   | HANDLE         | ALUMINIUM BRONZE      |
| 37a          | 1   | PLUG           | ALUMINIUM BRONZE      |
| 37b          | 1   | GUILLEMIN PLUG | BRONZE                |
| 38a          | n   | SCREW          | STAINLESS STEEL A4-70 |
| 38b          | 1   | SCREW          | STAINLESS STEEL A4-70 |
| 45a          | 1   | O-RING         | FPM                   |
| 45b          | 1   | GASKET         | PTFE                  |
| 45c          | 2   | GASKET         | FPM                   |
| 45d          | 2   | O-RING         | FPM                   |
| 68           | 1   | CHAIN          | STAINLESS STEEL A4    |

| DIMENSIONS  |       |      |       |
|-------------|-------|------|-------|
| DN          | 32    | 40   | 65    |
| A (mm)      | 156   | 165  | 220   |
| B (mm)      | 108   | 114  | 156   |
| C (mm)      | 100   | 110  | 145   |
| D (mm)      | 140   | 150  | 185   |
| L (mm)      | 165   | 165  | 218   |
| Base ISO    | F05   | F05  | F07   |
| S (mm)      | 14    | 14   | 17    |
| Ø Drilling  | 4x18  | 4x18 | 4x18  |
| n           | 5     | 5    | 6     |
| Weight (Kg) | 3.790 | --   | 7.950 |

**REFERENCES NORMS :**

- Material : NF EN 1982 - NF EN 12163 - NF EN 12164 - NF EN 10272
- Testing & checking : NF EN 12266-1/-2 (bench test)
- Flange : NF EN 1092-3
- Fitting : NF E 29-572

Ref. instruction of assembling : 0904DA135E

Ref. instruction of operation : 0904DA136E

**Mounting & assembly guides are available on our website.**

*These data are for information and can be modified without notice. It is not up to us to appreciate specifications. It is up to the customer to verify the adequacy between the equipment chosen and the real conditions of use.*



# AUTEXIER

MANUFACTURER OF INDUSTRIAL VALVES

93 Rue Louis Blanc - 02300 CHAUNY - FRANCE  
 Phone : +33 (0)3 23 52 02 86 Fax : +33 (0)3 23 39 52 28  
 Website : www.autexier.fr

Ref. AU72 Family : 49

Rev. 11

Date : 07 Feb 2025

Page 2/2

## ALUMINIUM BRONZE BALL VALVE WITH FLANGE AND GUILLEMIN COUPLING

### Ref. AU72.Ø

**SERIES :**

- AU72

*For material compatibility, contact us*

**CHARACTERISTICS :**

- PN16 (Nominal Pressure)
- ENDS : ISO PN16 Flanges and Guillemmin coupling
- MATERIAL : ALUMINIUM BRONZE CC333G

**MAXIMUM CONDITIONS OF USE :**

- 16 bar of -10°C to 100°C

**APPLICATIONS :**

- Water-based fluids
- Oil & gas
- Seawater

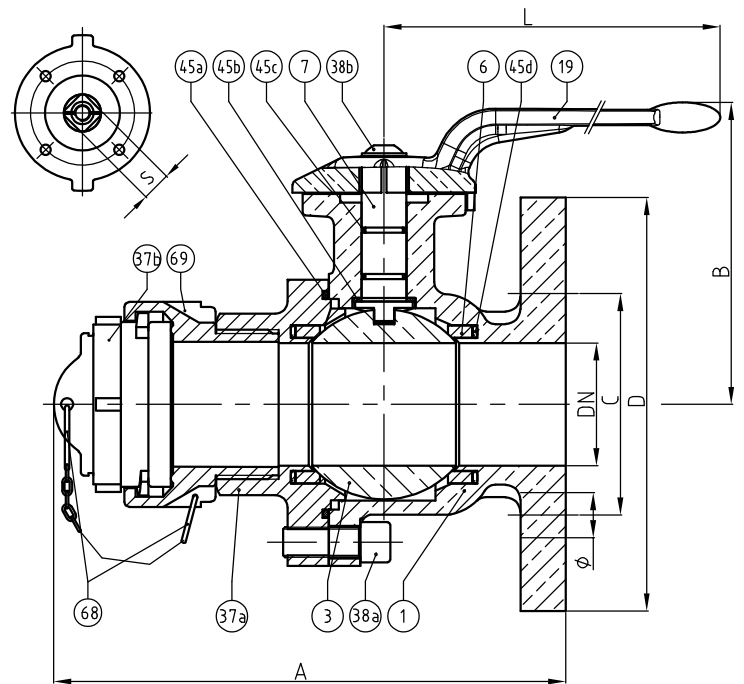
**OPTIONS :**

- Special drilling
- Monel Trim

*Specific dimensions, contact us*



*Subject to modifications*



| NOMENCLATURE |     |                    |                       |
|--------------|-----|--------------------|-----------------------|
| Rep          | Qty | Designation        | Material              |
| 1            | 1   | BODY               | ALUMINIUM BRONZE      |
| 3            | 1   | SHUTTER            | ALUMINIUM BRONZE      |
| 6            | 2   | SEAT               | PTFE                  |
| 7            | 1   | STEM               | ALUMINIUM BRONZE      |
| 19           | 1   | HANDLE             | ALUMINIUM BRONZE      |
| 37a          | 1   | PLUG               | ALUMINIUM BRONZE      |
| 37b          | 1   | GUILLEMIN PLUG     | BRONZE                |
| 38a          | 5   | SCREW              | STAINLESS STEEL A4-70 |
| 38b          | 1   | SCREW              | STAINLESS STEEL A4-70 |
| 45a          | 1   | O-RING             | FPM                   |
| 45b          | 1   | GASKET             | PTFE                  |
| 45c          | 2   | GASKET             | FPM                   |
| 45d          | 2   | O-RING             | FPM                   |
| 68           | 1   | CHAIN              | STAINLESS STEEL A4    |
| 69           | 1   | GUILLEMIN COUPLING | BRONZE                |

**REFERENCES NORMS :**

- Material : NF EN 1982 - NF EN 12163 - NF EN 12164 - NF EN 10272
- Testing & checking : NF EN 12266-1/-2 (bench test)
- Flange : NF EN 1092-3
- Fitting : NF E 29-572

Ref. instruction of assembling : 0904DA135E

Ref. instruction of operation : 0904DA136E

**Mounting & assembly guides are available on our website.**

| DIMENSIONS  |      |       |      |
|-------------|------|-------|------|
| DN          | 25   | 50    | 80   |
| A (mm)      | 160* | 212   | 250* |
| B (mm)      | 96   | 122   | 167  |
| C (mm)      | 85   | 125   | 160  |
| D (mm)      | 115  | 165   | 200  |
| L (mm)      | 120  | 165   | 218  |
| Base ISO    | F04  | F05   | F07  |
| S (mm)      | 11   | 14    | 17   |
| Ø Drilling  | 4x14 | 4x18  | 8x18 |
| n           | 5    | 5     | 6    |
| Weight (Kg) | --   | 6.760 | --   |

*\*Under reserve*

*These data are for information and can be modified without notice. It is not up to us to appreciate specifications. It is up to the customer to verify the adequacy between the equipment chosen and the real conditions of use.*