



AUTEXIER

MANUFACTURER OF INDUSTRIAL VALVES

93 Rue Louis Blanc - 02300 CHAUNY - FRANCE
 Phone : +33 (0)3 23 52 02 86 Fax : +33 (0)3 23 39 52 28
 Website : www.autexier.fr

Ref. AU71 Family : 49

Rev. 16

Date : 10 Feb. 2025

Page 1/1

ALUMINIUM BRONZE BALL VALVE WITH FLANGES

Ref. AU71.Ø

SERIES :

- AU71.Ø

For material compatibility, contact us

CARACTERISTICS :

- PN30 (Nominal Pressure)
- ENDS : ISO PN16 Flanges
- MATERIAL : ALUMINIUM BRONZE CC333G

MAXIMUM CONDITIONS OF USE :

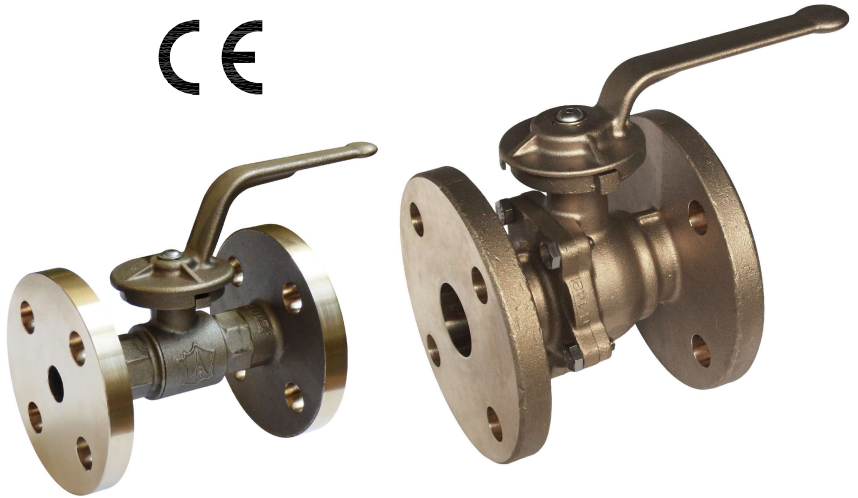
- 30 bar of -10°C to 200°C

APPLICATIONS :

- Water-based fluids
- Oil & gas
- Seawater

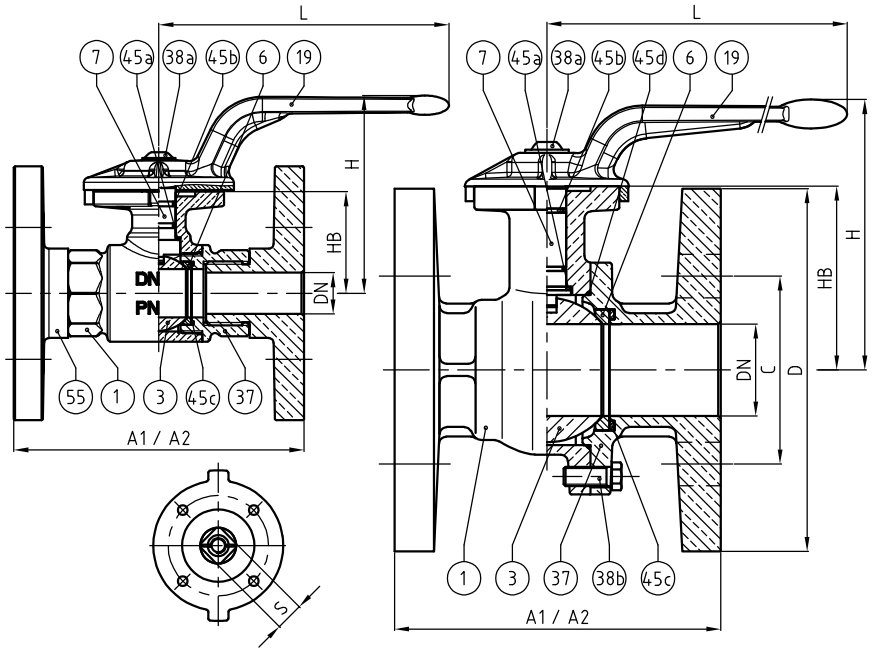
OPTIONS :

- Lockable handle
 - Padlock
 - Special drilling
 - Monel trim
 - ASA 150 flanges (PN20)
- Specific dimensions, contact us*



Subject to modifications

NOMENCLATURE			
Rep	Qty	Designation	Material
1	1	BODY	ALUMINIUM BRONZE
3	1	BALL	ALUMINIUM BRONZE
6	2	SEAT	PTFE
7	1	STEM	ALUMINIUM BRONZE
19	1	HANDLE	ALUMINIUM BRONZE
37	1	PLUG	ALUMINIUM BRONZE
38a	1	SCREW	STAINLESS STEEL A4-70
38b	n	SCREW (DN25 to DN100)	STAINLESS STEEL A4-70
45a	1	GASKET	PTFE
45b	2	O-RING	FPM
45c	2	O-RING	FPM
45d	1	O-RING	FPM
55	2	FLANGE (DN15 & DN20)	ALUMINIUM BRONZE



DIMENSIONS									
DN	15	20	25	32	40	50	65	80	100
A1 (mm)	115	120	125	130	140	150	170	180	190
A2 (mm)	130	130	130	130	135	145	160	180	210
C (mm)	65	75	85	100	110	125	145	160	180
D (mm)	95	105	115	140	150	165	185	200	220
H (mm)	79	82	96	108	114	122	156	167	170
HB (mm)	32	42	55	70	76	83	118	118	121
L (mm)	108	120	120	165	165	165	218	218	218
Base ISO	F03	F04	F04	F05	F05	F05	F07	F07	F07
S (mm)	9	11	11	14	14	14	17	17	17
Maximum torque (N.m)	20	20	20	20	20	20	40*	40*	50*
n	-	-	5	5	5	5	6	6	6
Weight (Kg)	1.480	2.065	3.700	3.833	5.630	6.580	13.560	15.200	22.200

**Under reserve*

REFERENCES NORMS :

- Material : NF EN 1982 - NF EN 12163 - NF EN 12164 - NF EN 10272
- Testing & checking : NF EN 12266-1/-2 (bench test)
- Face to face : NF EN 558 - Series 27 (A1) or NF E 29-465 (A2)
- Flanges : NF EN 1092-3

Ref. instruction of assembling : 0904DA135E

Ref. instruction of operation : 0904DA136E

Mounting & assembly guides are available on our website.

These data are for information and can be modified without notice. It is not up to us to appreciate specifications. It is up to the customer to verify the adequacy between the equipment chosen and the real conditions of use.