



# AUTEXIER

MANUFACTURER OF INDUSTRIAL VALVES

93 Rue Louis Blanc - 02300 CHAUNY - FRANCE  
 Phone : +33 (0)3 23 52 02 86 Fax : +33 (0)3 23 39 52 28  
 Website : www.autexier.fr

Ref. AU70 Family : 49

Rev. 10

Date : 07 Feb. 2025

Page 1/1

## ALUMINIUM BRONZE BALL VALVE Ref. AU70.Ø

**SERIES :**

- AU70

For material compatibility, contact us



**CARACTERISTICS :**

- PN30 (Nominal Pressure)
- ENDS : BSP Female threads
- MATERIAL : ALUMINIUM BRONZE CC333G

**MAXIMUM CONDITIONS OF USE :**

- 30 bar of -10°C to 200°C

**APPLICATIONS :**

- Water-based fluids
- Oil & gas
- Seawater



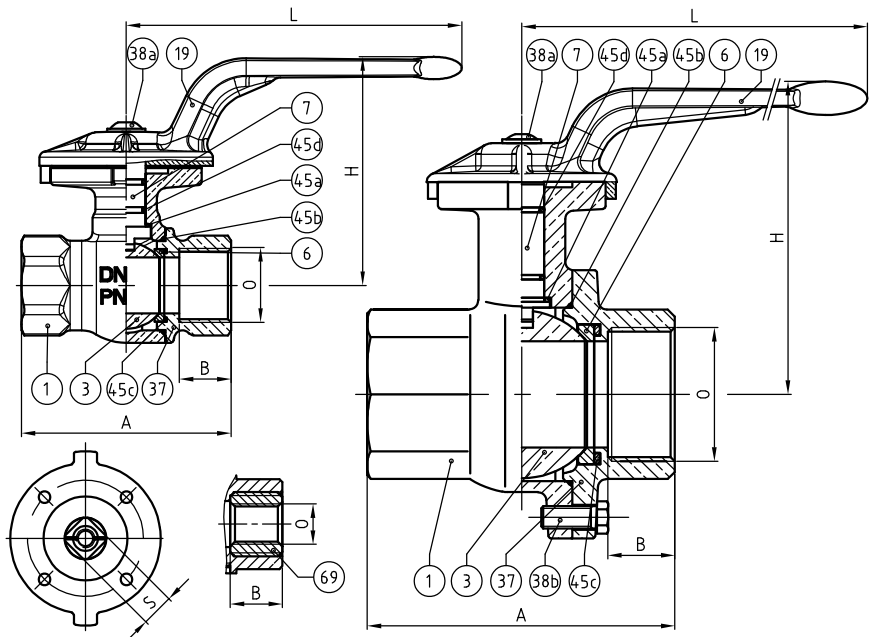
Subject to modifications

**OPTIONS :**

- Lockable handle
- Padlock
- NPT / API connection
- Monel trim

Specific dimensions, contact us

NOMENCLATURE			
Rep	Qté	Désignation	Matière
1	1	BODY	ALUMINIUM BRONZE
3	1	BALL	ALUMINIUM BRONZE
6	2	SEAT	PTFE
7	1	STEM	ALUMINIUM BRONZE
19	1	HANDLE	ALUMINIUM BRONZE
37	1	PLUG	ALUMINIUM BRONZE
38a	1	SCREW	STAINLESS STEEL A4-70
38b	n	SCREW (DN25 to DN80)	STAINLESS STEEL A4-70
45a	1	GASKET	PTFE
45b	1	O-RING	FPM
45c	2	O-RING	FPM
45d	2	O-RING	FPM
69	2	FITTING (DN08)	ALUMINIUM BRONZE



DIMENSIONS											
DN	08	12	15	20	25	32	40	50	65	80	100
A (mm)	63	63	63	75	85	95	110	145	160	180	210
B (mm)	17	17	17	19	21	23	24	25	25	32	35
H (mm)	79	79	79	82	96	108	114	122	156	167	170
L (mm)	108	108	108	120	120	165	165	165	218	218	218
O	1/4"	3/8"	1/2"	3/4"	1"	1 1/4"	1 1/2"	2"	2 1/2"	3"	4"
Base ISO	F03	F03	F03	F04	F04	F05	F05	F05	F07	F07	F07
S (mm)	9	9	9	11	11	14	14	14	17	17	17
Maximum torque (N.m)	20	20	20	20	20	20	20	20	40*	40*	50*
n	-	-	-	-	5	5	5	5	6	6	6
Weight (Kg)	0.560	0.545	0.520	0.785	1.200	1.810	2.300	4.390	--	--	--

\*Under reserve

**REFERENCES NORMS :**

- Material : NF EN 1982 - NF EN 12163 - NF EN 12164 - NF EN 10272
- Testing & checking : NF EN 12266-1/-2 (bench test)

Ref. instruction of assembling : 0904DA135E

Ref. instruction of operation : 0904DA136E

**Mounting & assembly guides are available on our website.**

These data are for information and can be modified without notice. It is not up to us to appreciate specifications. It is up to the customer to verify the adequacy between the equipment chosen and the real conditions of use.