



# AUTEXIER

MANUFACTURER OF INDUSTRIAL VALVES

93 Rue Louis Blanc - 02300 CHAUNY - FRANCE  
 Phone : +33 (0)3 23 52 02 86 Fax : +33 (0)3 23 39 52 28  
 Website : www.autexier.fr

Ref. A72 Family : 49

Rev. 05

Date : 07 Feb. 2025

Page 1/2

## BRONZE BALL VALVE WITH FLANGE AND GUILLEMIN COUPLING

### Ref. A72.Ø

#### SERIES :

- A72
  - Integrated Guillemmin coupling
- For material compatibility, contact us

#### CARACTERISTICS :

- PN16 (Nominal Pressure)
- ENDS : ISO PN16 Flanges and Guillemmin coupling
- MATERIAL : BRONZE CC491K

#### MAXIMUM CONDITIONS OF USE :

- 16 bar of -15°C to 100°C

#### APPLICATIONS :

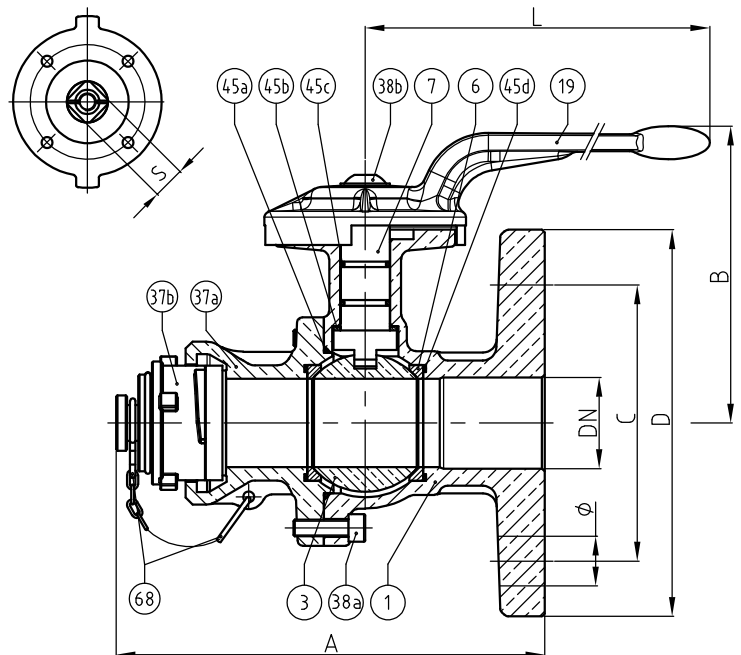
- Water-based fluids
- Oil & gas

#### OPTIONS :

- Special drilling
  - Monel Trim
- Specific dimensions, contact us



Subject to modifications



NOMENCLATURE			
Rep	Qty	Designation	Material
1	1	BODY	BRONZE
3	1	SHUTTER	ALUMINIUM BRONZE
6	2	SEAT	PTFE
7	1	STEM	ALUMINIUM BRONZE
19	1	HANDLE	BRONZE
37a	1	PLUG	BRONZE
37b	1	GUILLEMIN PLUG	BRONZE
38a	n	SCREW	STAINLESS STEEL A4-70
38b	1	SCREW	STAINLESS STEEL A4-70
45a	1	O-RING	FPM
45b	1	GASKET	PTFE
45c	2	GASKET	FPM
45d	2	O-RING	FPM
68	1	CHAIN	STAINLESS STEEL A4

#### REFERENCES NORMS :

- Material : NF EN 1982 - NF EN 12163 - NF EN 12164 - NF EN 10272
- Testing & checking : NF EN 12266-1/-2 (bench test)
- Flange : NF EN 1092-3

Ref. instruction of assembling : 0904DA135E

Ref. instruction of operation : 0904DA136E

**Mounting & assembly guides are available on our website.**

DIMENSIONS			
DN	32	40	65
A (mm)	156	165	220
B (mm)	108	114	156
C (mm)	100	110	145
D (mm)	140	150	185
L (mm)	165	165	218
Base ISO	F05	F05	F07
S (mm)	14	14	17
Ø Drilling	4x18	4x18	4x18
n	5	5	6
Weight (Kg)	4.500	5.000	9.230

These data are for information and can be modified without notice. It is not up to us to appreciate specifications. It is up to the customer to verify the adequacy between the equipment chosen and the real conditions of use.



# AUTEXIER

MANUFACTURER OF INDUSTRIAL VALVES

93 Rue Louis Blanc - 02300 CHAUNY - FRANCE  
Phone : +33 (0)3 23 52 02 86 Fax : +33 (0)3 23 39 52 28  
Website : www.autexier.fr

Ref. A72 Family : 49

Rev. 05

Date : 07 Feb. 2025

Page 2/2

## BRONZE BALL VALVE WITH FLANGE AND GUILLEMIN COUPLING

### Ref. A72.Ø

#### SERIES :

- A72

For material compatibility, contact us

#### CHARACTERISTICS :

- PN16 (Nominal Pressure)
- ENDS : ISO PN16 Flanges and Guillemín coupling
- MATERIAL : BRONZE CC491K

#### MAXIMUM CONDITIONS OF USE :

- 16 bar of -15°C to 100°C

#### APPLICATIONS :

- Water-based fluids
- Oil & gas

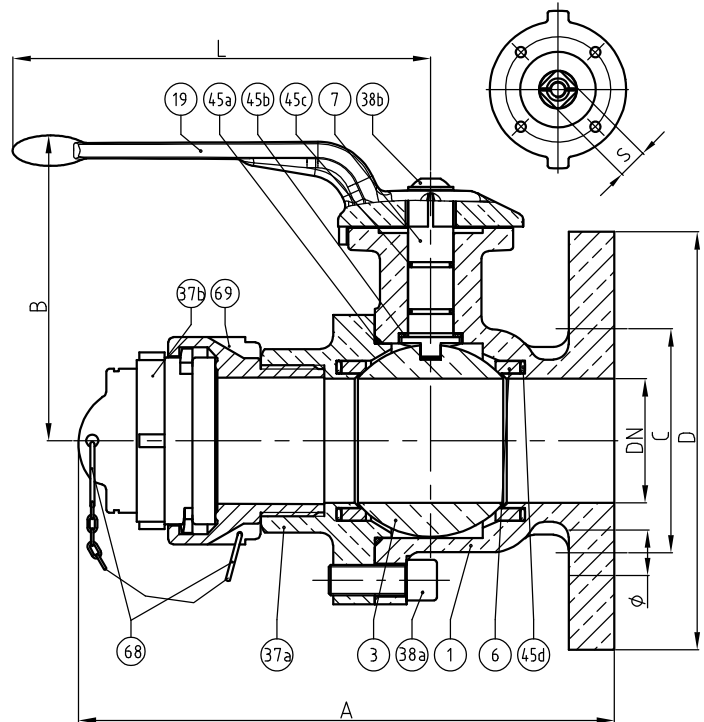
#### OPTIONS :

- Special drilling
- Monel Trim

Specific dimensions, contact us



Subject to modifications



NOMENCLATURE			
Rep	Qty	Designation	Material
1	1	BODY	BRONZE
3	1	SHUTTER	ALUMINIUM BRONZE
6	2	SEAT	PTFE
7	1	STEM	ALUMINIUM BRONZE
19	1	HANDLE	BRONZE
37a	1	PLUG	BRONZE
37b	1	GUILLEMIN PLUG	BRONZE
38a	n	SCREW	STAINLESS STEEL A4-70
38b	1	SCREW	STAINLESS STEEL A4-70
45a	1	O-RING	FPM
45b	1	GASKET	PTFE
45c	2	GASKET	FPM
45d	2	O-RING	FPM
68	1	CHAIN	STAINLESS STEEL A4
69	1	GUILLEMIN COUPLING	BRONZE

DIMENSIONS			
DN	25	50	80
A (mm)	160*	212	250*
B (mm)	96	122	167
C (mm)	85	125	160
D (mm)	115	165	200
L (mm)	120	165	218
Base ISO	F04	F05	F07
S (mm)	11	14	17
Ø Drilling	4x14	4x18	8x18
n	5	5	6
Weight (Kg)	--	7.850	--

\*Under reserve

#### REFERENCES NORMS :

- Material : NF EN 1982 - NF EN 12163 - NF EN 12164 - NF EN 10272
- Testing & checking : NF EN 12266-1/-2 (bench test)
- Flange : NF EN 1092-3

Ref. instruction of assembling : 0904DA135E

Ref. instruction of operation : 0904DA136E

**Mounting & assembly guides are available on our website.**

These data are for information and can be modified without notice. It is not up to us to appreciate specifications. It is up to the customer to verify the adequacy between the equipment chosen and the real conditions of use.