



# AUTEXIER

MANUFACTURER OF INDUSTRIAL VALVES

93 Rue Louis Blanc - 02300 CHAUNY - FRANCE  
 Phone : +33 (0)3 23 52 02 86 Fax : +33 (0)3 23 39 52 28  
 Website : www.autexier.fr

Ref. A68 Family: 49

Rev. 02

Date : 10 July 2018

Page 1/1

## BRONZE BALL VALVE Ref. A68.Ø

**SERIES :**

- A68

*For material compatibility, contact us*

**CARACTERISTICS :**

- PN16 (Nominal Pressure)
- ENDS : GAZ threads
- MATERIAL : BRONZE CC491K

**MAXIMUM CONDITIONS OF USE :**

- 16 bar of -15°C to 200°C

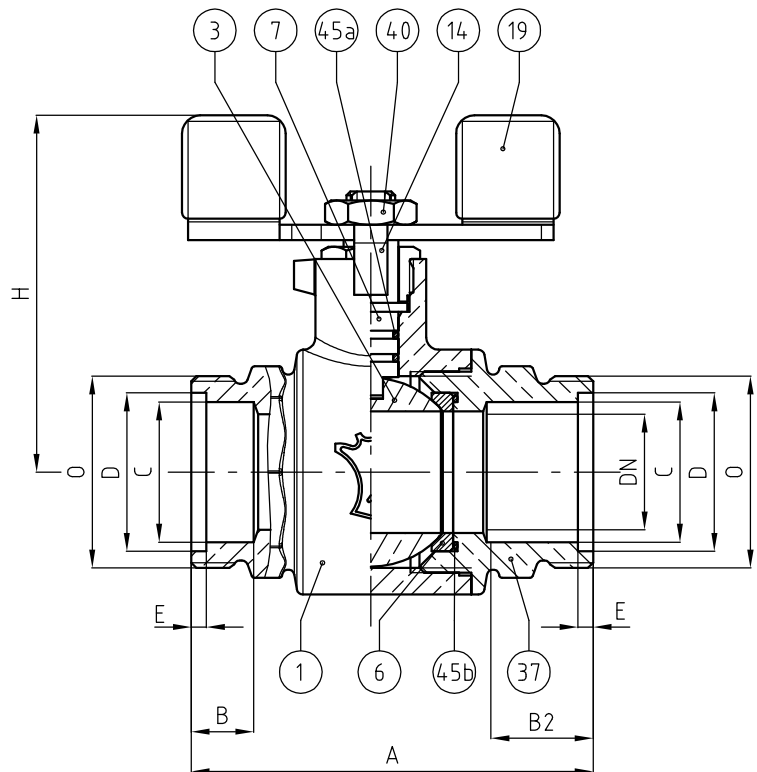
**APPLICATIONS :**

- Water-based fluids
- Oil & gas

*Specific dimensions, contact us*



*Subject to modifications*



NOMENCLATURE			
Rep	Qty	Designation	Material
1	1	BODY	BRONZE
3	1	BALL	ALUMINIUM BRONZE
6	2	SEAT	PTFE
7	1	STEM	BRASS
14	1	PACKING NUT	BRASS
19	1	HANDLE	LIGHT ALLOY
37	1	PLUG	BRONZE
340	1	NUT	BRASS
45a	2	O-RING	FPM
45b	2	O-RING	FPM

**REFERENCES NORMS :**

- Material : NF EN 1982 - NF EN 12164 - NF EN 10272
- Testing & checking : NF EN 12266-1/-2 (bench test)

Ref. instruction of assembling : 0904DA171E

Ref. instruction of operation : 0904DA172E

**Mounting & assembly guides are available on our website.**

DIMENSIONS	
DN	20
A (mm)	66
B (mm)	10.5
B2 (mm)	17.5
C (mm)	23
D (mm)	26
E (mm)	2.5
H (mm)	60
O	Ø31.5 mm 19 Pitch / Inch
Weight (Kg)	0.460

*These data are for information and can be modified without notice. It is not up to us to appreciate specifications. It is up to the customer to verify the adequacy between the equipment chosen and the real conditions of use.*