



AUTEXIER

**MANUFACTURER OF INDUSTRIAL MARINE AND OIL & GAS VALVES
IN BRONZE AND ALUMINIUM-BRONZE**

93, rue Louis Blanc - 02300 CHAUNY - FRANCE

Tel: +33 (0)3.23.52.02.86 - Fax: +33 (0)3.23.39.52.28

www.autexier.fr

Instruction for use for gate valves



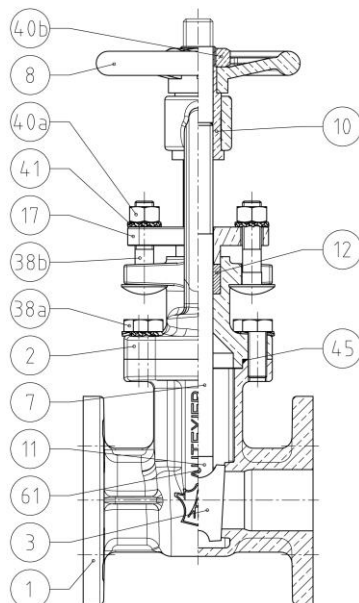
593 et AU593

Operation

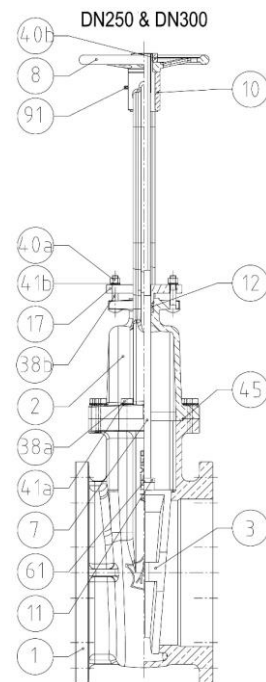
This gate valve opens and shuts by turning the *handwheel* **8**. This rotation lifts or lowers the *double wedge disc* **3** and the *rising stem* **7** non-rotating, through *stem nut* **10**, thanks to a spiral link (screw/nut connections).

Sealing is ensured by means of a *packing flange* **17** and a *packing* **12**. This stack is assembled by us in the factory. When the valve is fully open, the *stem* **7** protrudes from the valve by the *stem nut* **10**.

Ref. 593 / AU593



Ref. AU593



Document 0904DA166E version 02 of 24 January 2025

