



AUTEXIER

**MANUFACTURER OF INDUSTRIAL MARINE AND OIL & GAS VALVES
IN BRONZE AND ALUMINIUM-BRONZE**

93, rue Louis Blanc - 02300 CHAUNY - FRANCE

Tel: +33 (0)3.23.52.02.86 - Fax: +33 (0)3.23.39.52.28

www.autexier.fr

Instruction for use for 3 way ball valves

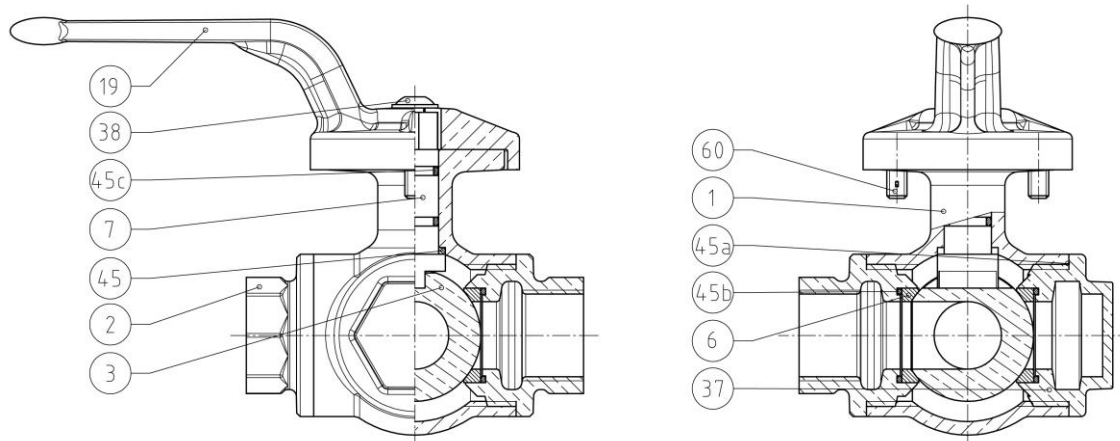


A75L, AU75L, A75T, AU75T, A76L, AU76L, A76T and AU76T

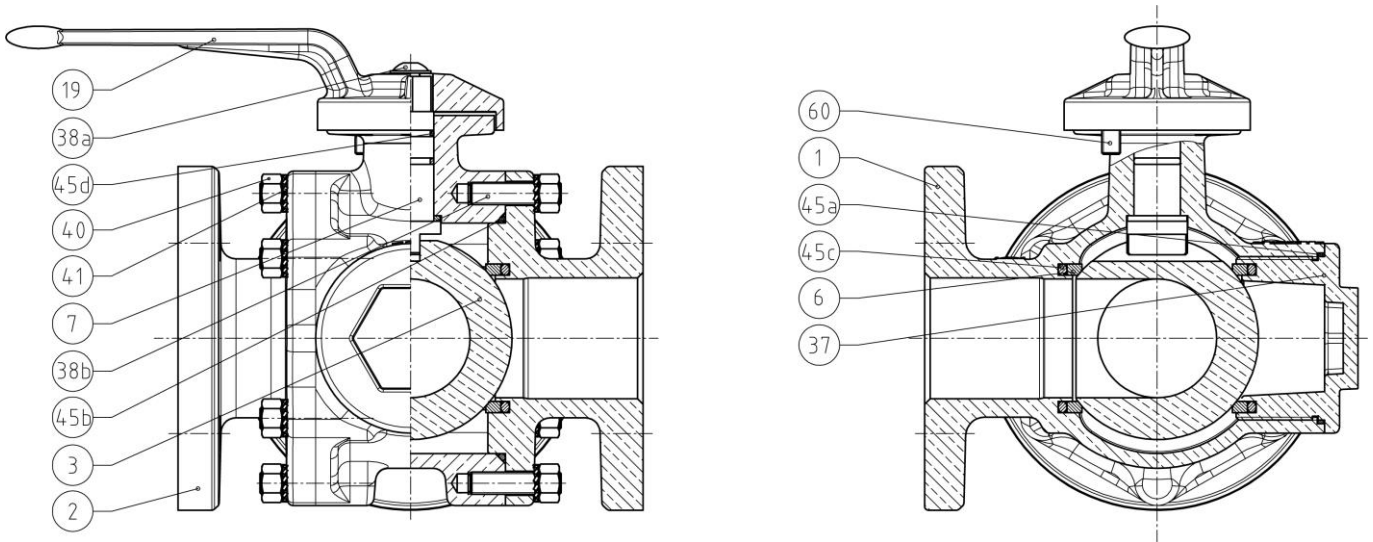
Operation

The 3 way ball valve (L type or T type) is used for mixing or distributing fluids. It operates manually using the *handle 19*, or automatically with servomotor. Be careful to turn the *handle 19* in the correct direction, using the engraved symbol on the *handle 19* indicating which channels are in communication.

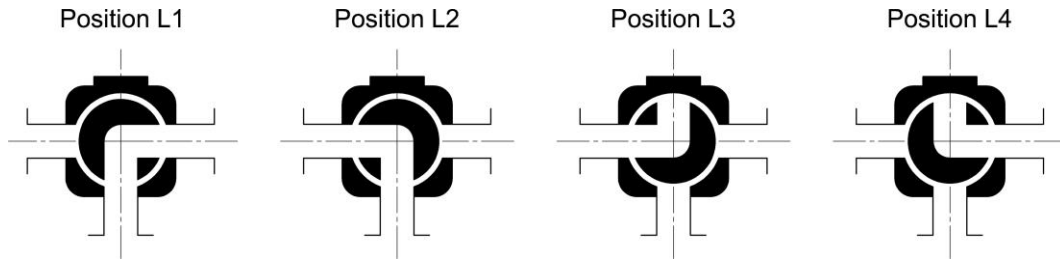
Réf. A75L / AU75L



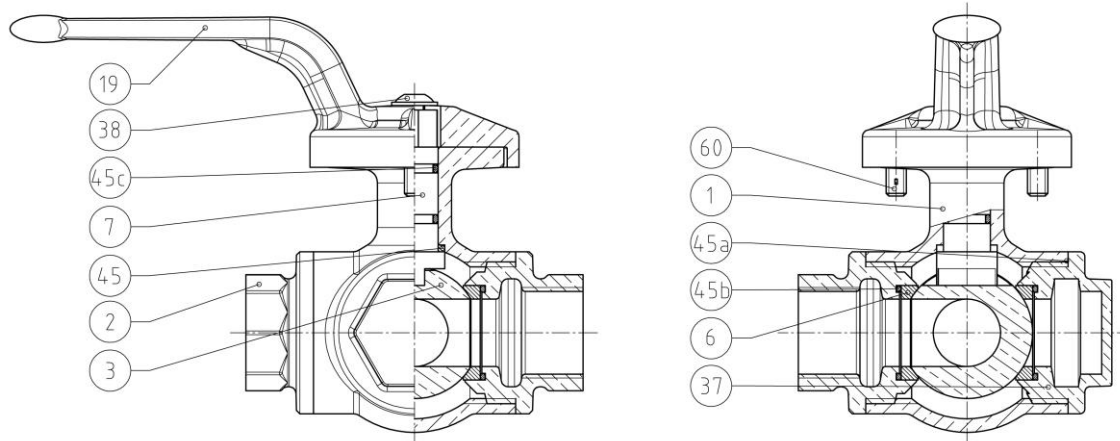
Réf. A76L / AU76L



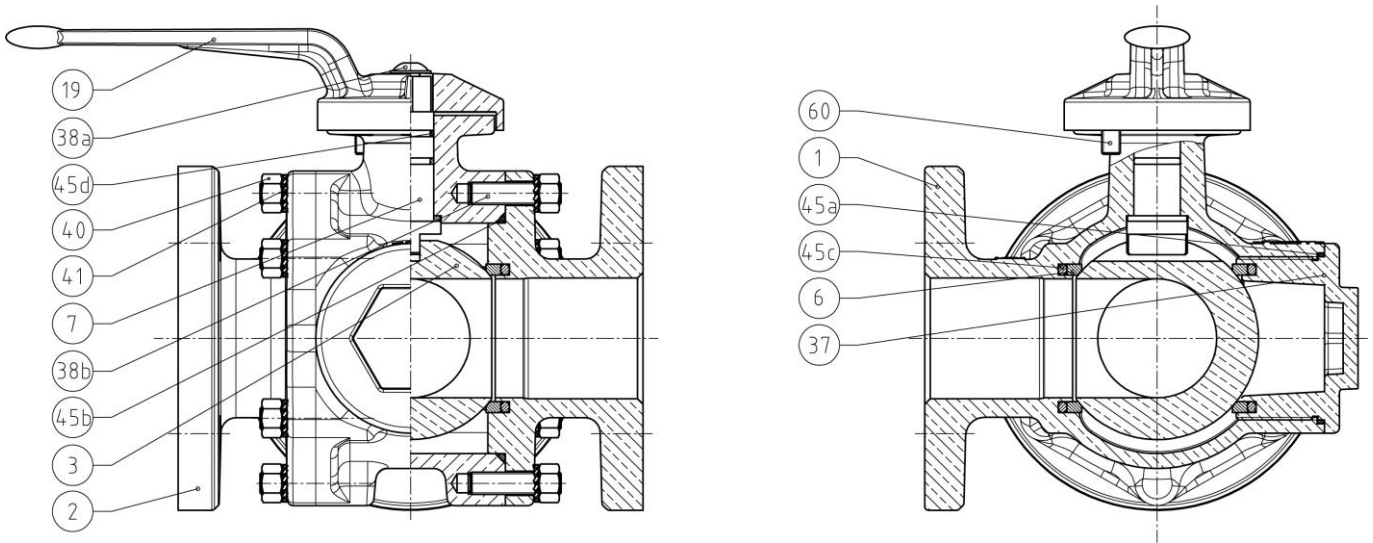
Opening diagram



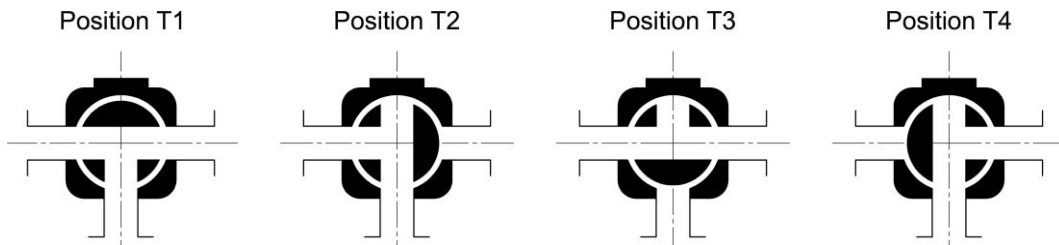
Réf. A75T / AU75T



Réf. A76T / AU76T



Opening diagram



Ref. Document 0904DA158E version 01 of 31 January 2025

