



AUTEXIER

**MANUFACTURER OF INDUSTRIAL MARINE AND OIL & GAS VALVES
IN BRONZE AND ALUMINIUM-BRONZE**

93, rue Louis Blanc - 02300 CHAUNY - FRANCE

Tel : +33 (0)3.23.52.02.86 - Fax : +33 (0)3.23.39.52.28

www.autexier.fr

Instruction for use for ball valves



A70, AU70, A71, AU71, A72, AU72, A74 and AU74

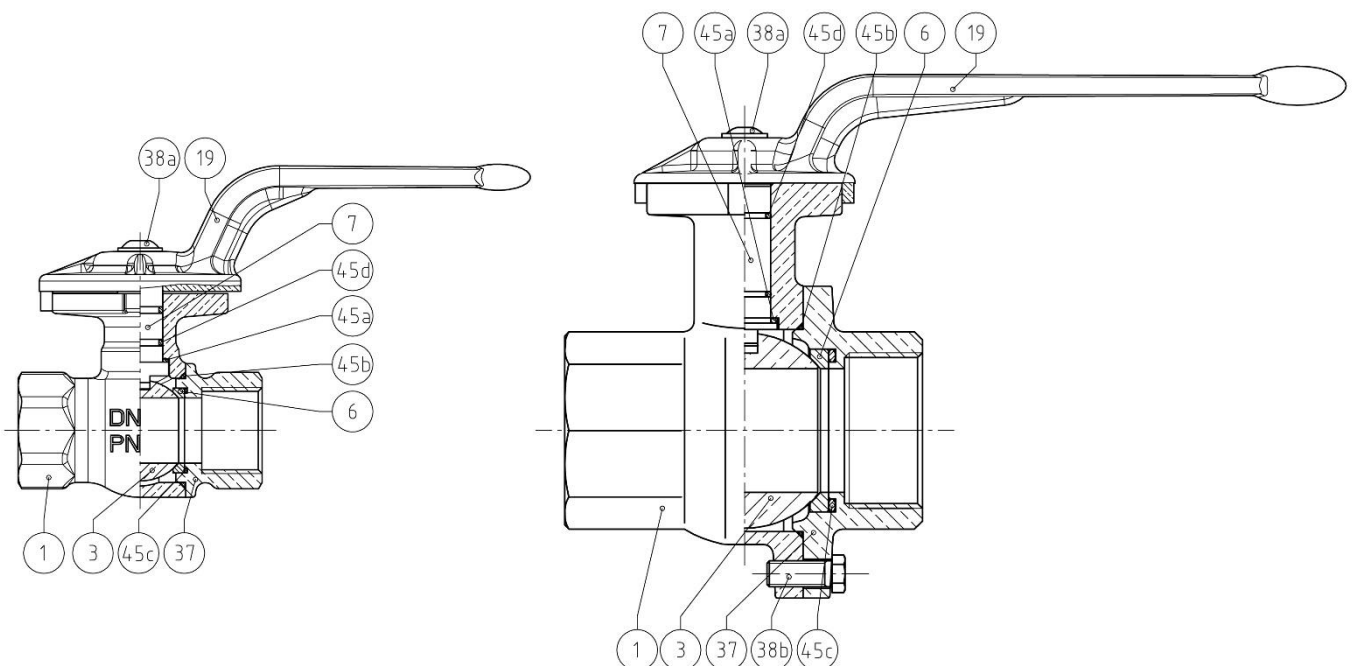
Operation

It operates manually using the *handle 19*, or automatically with a servomotor. If the *handle 19* is in the axis of the piping, the valve is opened. And if the handle is at 90° to axis of piping, the valve is closed.

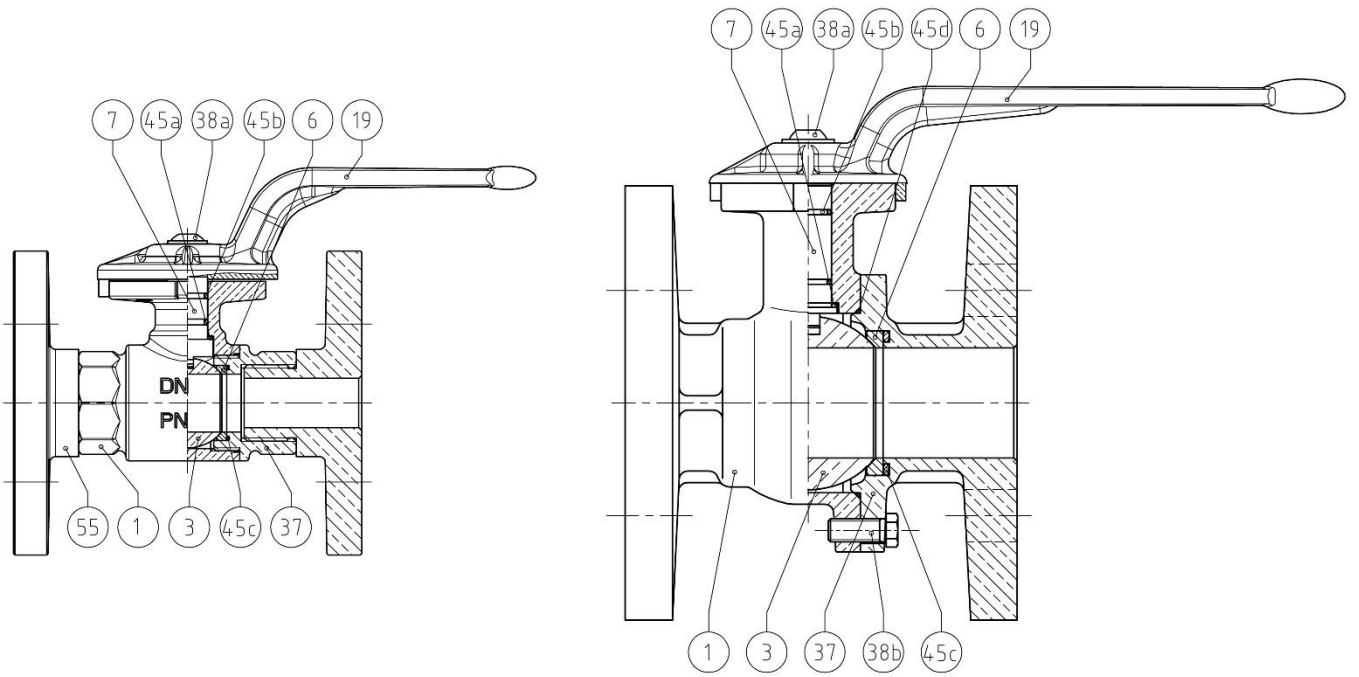
The references A72 and AU72 are equipped with Guillemín fitting.

On references A74 and AU74, the Deadman handle or spring return handle replaces the ¼ turn handle. When opening and closing, operate the handle slowly.

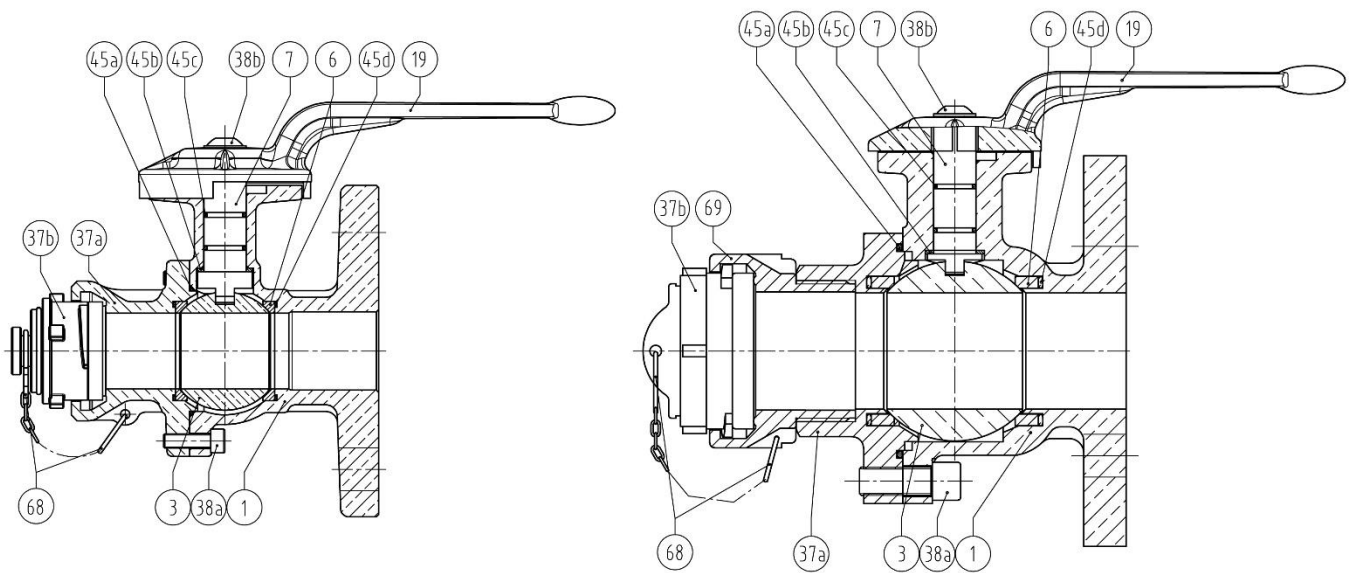
Ref. A70 / AU70



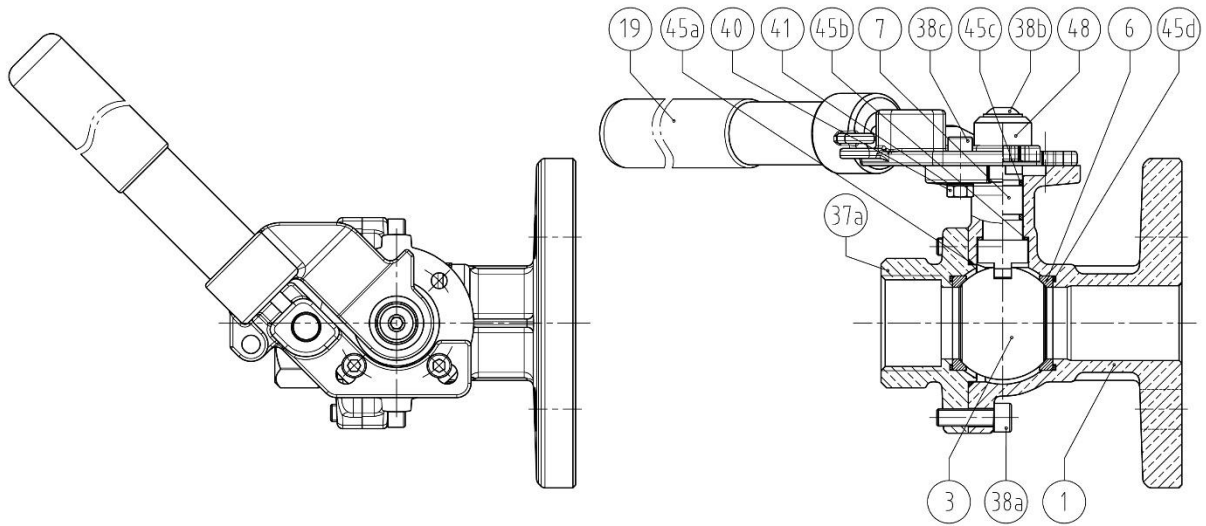
Ref. A71 / AU71



Ref. A72 / AU72



Ref. A74 / AU74



Ref. Document 0904DA136E version 02 of 15 January 2025

