



AUTEXIER

**MANUFACTURER OF INDUSTRIAL MARINE AND OIL & GAS VALVES
IN BRONZE AND ALUMINIUM-BRONZE**

93, rue Louis Blanc - 02300 CHAUNY - FRANCE

Tel: +33 (0)3.23.52.02.86 - Fax: +33 (0)3.23.39.52.28

www.autexier.fr

Instruction for use for butterfly valves



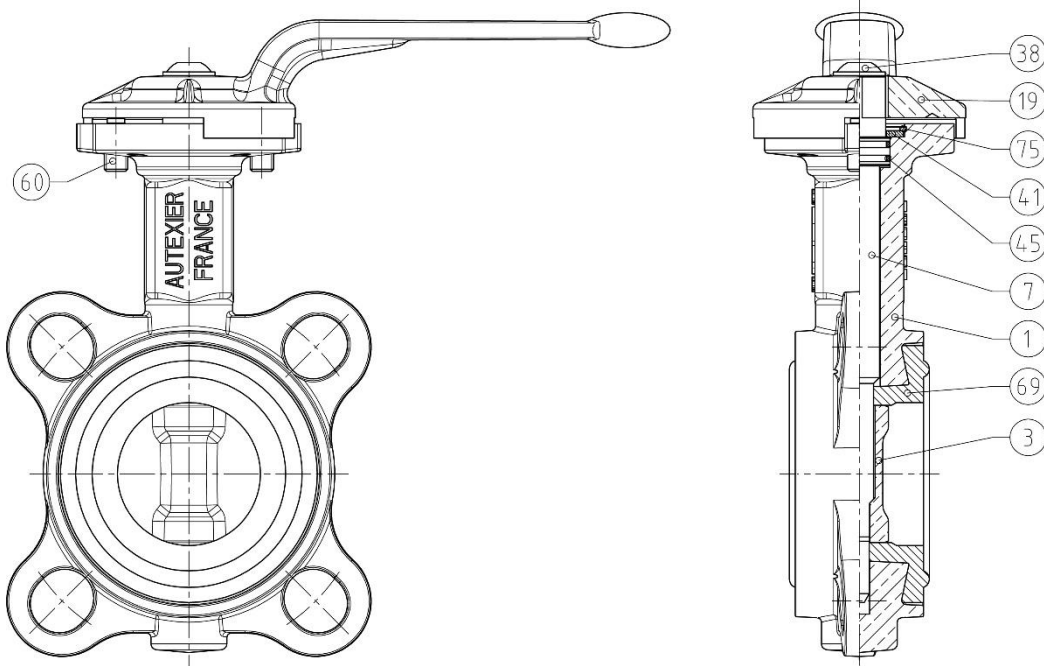
A601, AU601, A602 and AU602

Operation

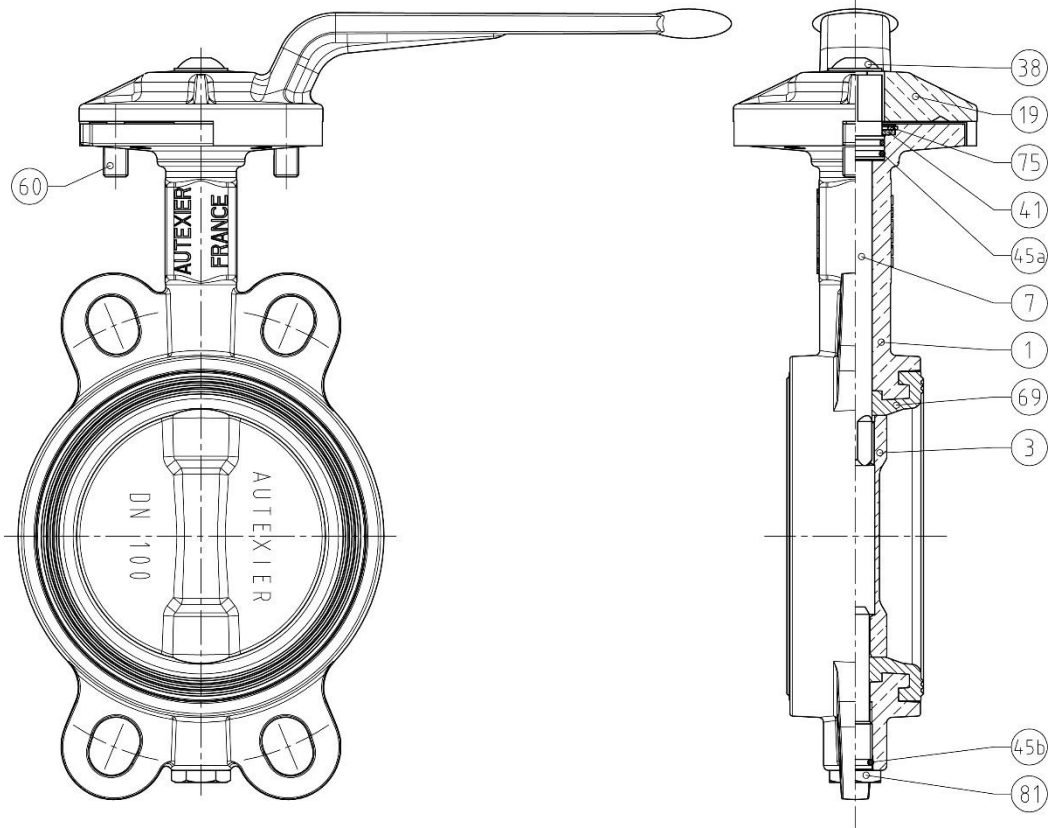
This butterfly valve opens and shuts by turning the *handle 19* or the *handwheel 101* of *gearbox 100*, with several adjustable positions, up to a quarter turn. It can also be controlled by an *actuator 100*. Indeed, this movement causes rotation of the *disc (butterfly) 3*, via the *stem 7*, perpendicularly to the direction of the fluid flow.

Ref. A601 / AU601

DN25 to DN65

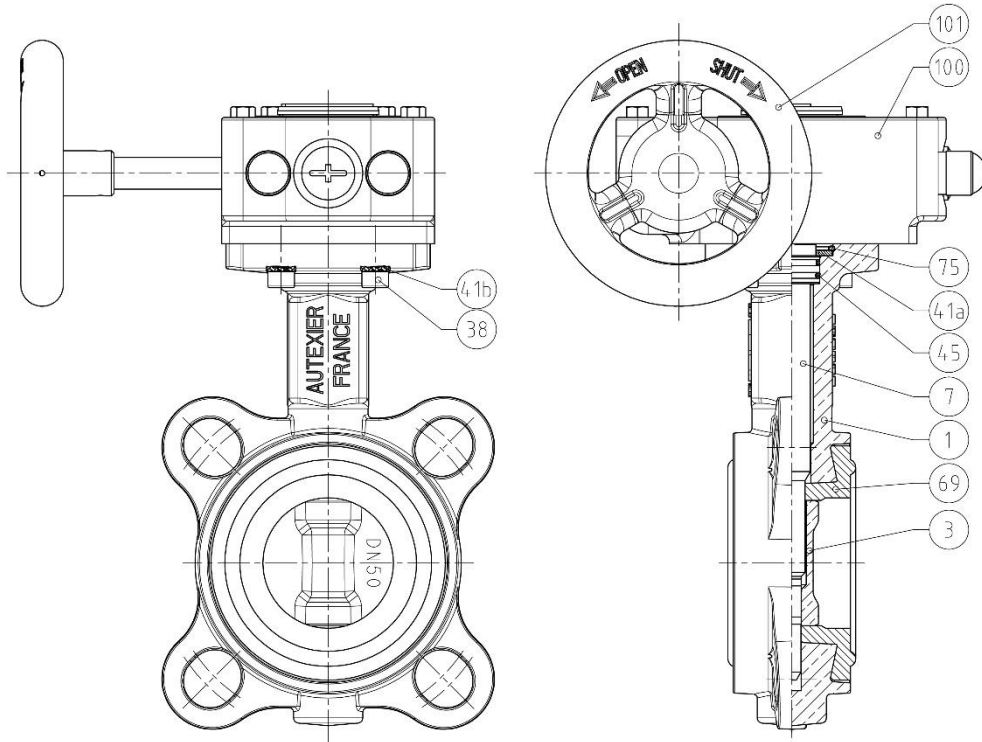


DN80 to DN125

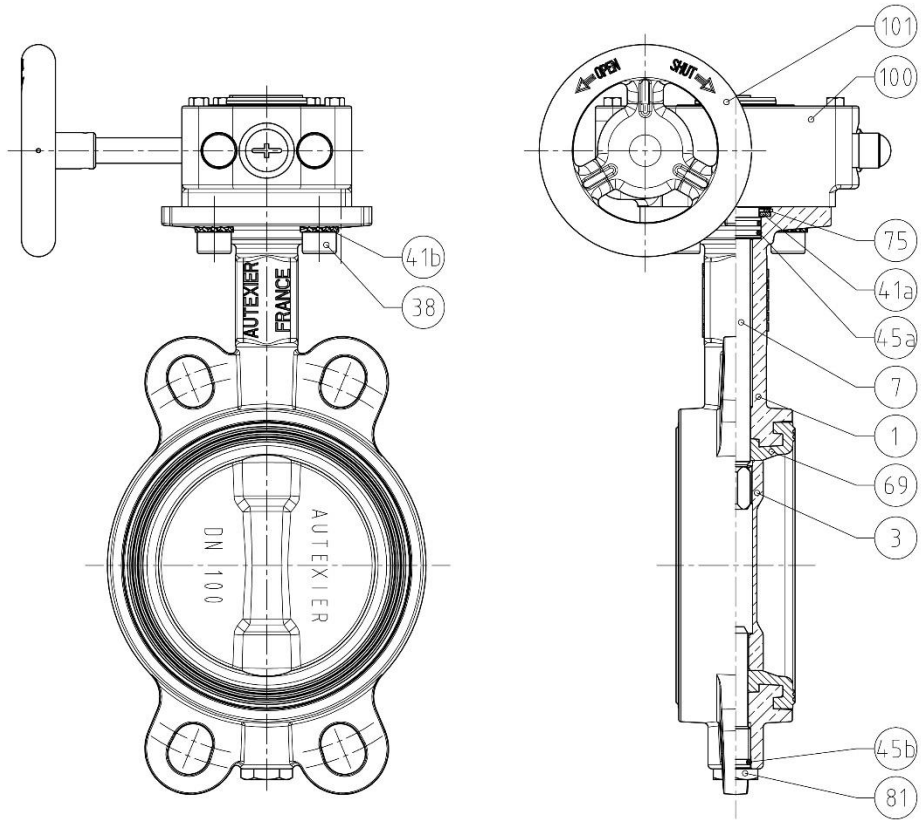


Ref. A601M / AU601M

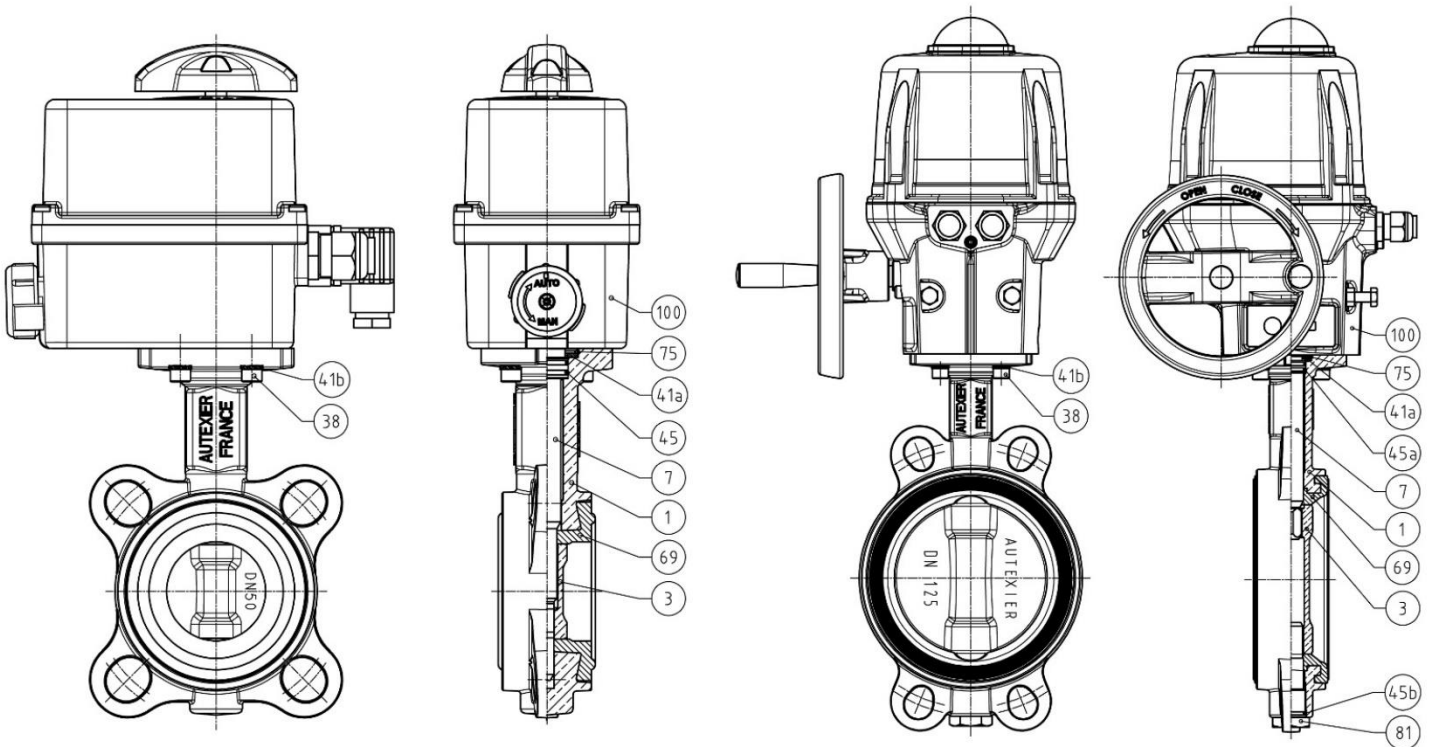
DN25 to DN65



DN80 to DN300

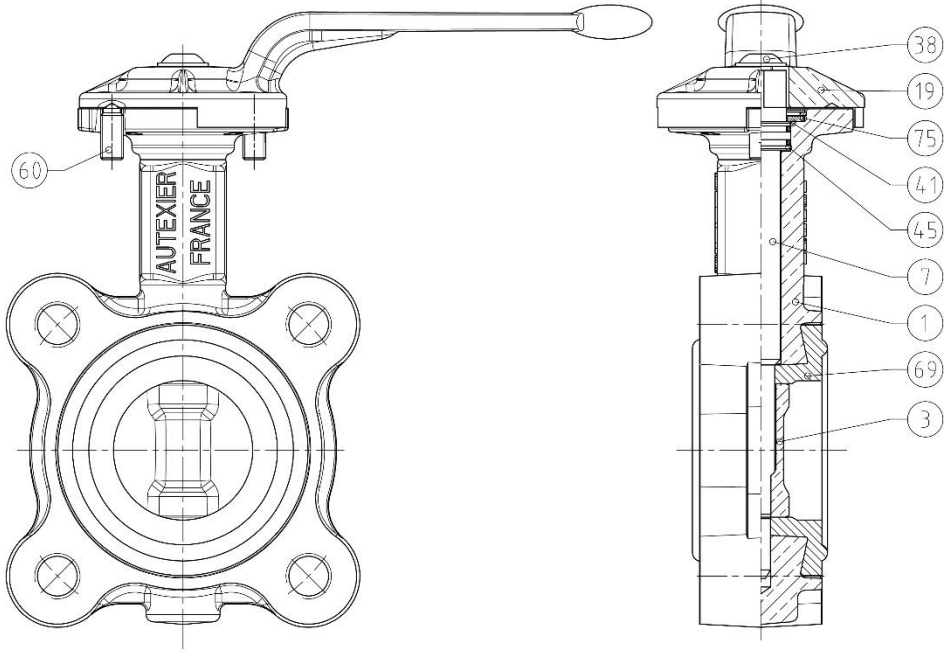


Ref. A601ME / AU601ME

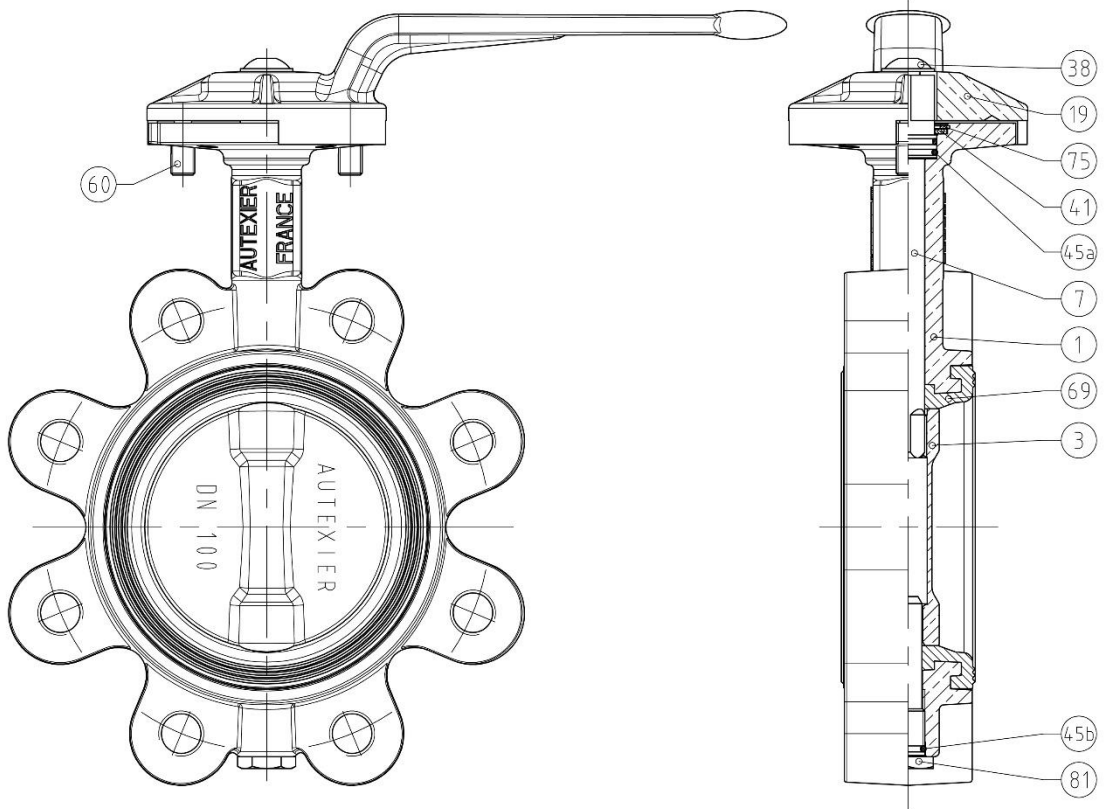


Ref. A602 / AU602

DN25 to DN65

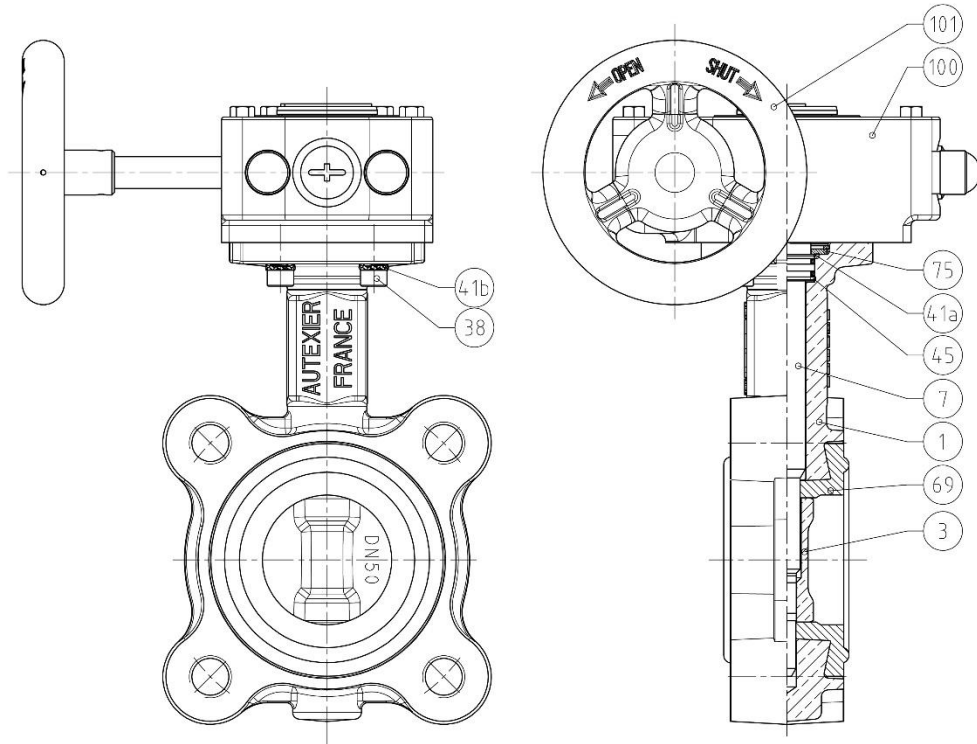


DN80 to DN125



Ref. A602M / AU602M

DN25 to DN65



DN80 to DN300

