



**AUTEXIER**

**MANUFACTURER OF INDUSTRIAL MARINE AND OIL & GAS VALVES  
IN BRONZE AND ALUMINIUM-BRONZE**

93, rue Louis Blanc - 02300 CHAUNY - FRANCE

Tel: +33 (0)3.23.52.02.86 - Fax: +33 (0)3.23.39.52.28

[www.autexier.fr](http://www.autexier.fr)

## Instructions of assembly and maintenance for butterfly valves



**A601, AU601, A602 and AU602**

### **I) Checking at the delivery**

Check at receipt that the packaging has not been damaged, that the delivered valve is in accordance with your order and that the material is not damaged.

### **II) Storage**

The valves can reach the site several months before commissioning. Performance may be degraded if special care is not taken in their storage and protection.

It is recommended to store the valves in a clean, closed, protected from weather and projections of sand, dust and other solid particles. Leave them as much as possible in their original packaging. The plugs, protections threads, plastic envelopes, will be removed at the time of installation. Avoid impacts on the sealing surfaces of the flanges and threads.

### **III) Assembly of the valve**

- 1) The valves must be handled with particular care. The sealing surfaces of the valve plug and seat are finely machined to obtain the required tightness. Prevent the ingress of foreign bodies in the valve during installation and operation.
- 2) It is advisable to install the valve between flanges, with the *disc (butterfly)* 3 slightly open. Never install the valve in the end, nor to disassemble in charge.
- 3) During assembly or maintenance, if the valve is located in an explosive area, use a material in accordance with the explosive classification of this area, without insulating it electrically from the rest of the system to avoid any electrostatic phenomenon.

### **IV) Instructions**

- 1) Do not neutralize the valve mechanism.
- 2) Any foreign body should block the openings of the valve. Do not let any viscous fluids or fluids that can leave residue by drying penetrate inside the valve, which would cause a flow jam or block the mechanism.
- 3) The valve should be installed in a place where there is no risk of shock or water hammer which could damage its working.
- 4) If the temperature is lower than 0°C or superior to 60°C, it is necessary to insulate the material and to authorize its access only to the authorized staff.



For the material, it is imperative to stay in a temperature indicated on the identification plate or failing on the product data sheet.

5) It is imperative to respect the defined conditions announced by our staff (pressure, temperature, and fluid). Do not use corrosive fluids or fluids likely to provoke a significant wear, no unstable fluid with risky decomposition; do not use several fluids which could react altogether or release derivatives leading to an explosive atmosphere and no viscous fluids likely to solidify at one moment or another.

6) Limit as much as possible the tensions due to failure alignments of the piping connections system.

7) It is necessary to eliminate any previous and post pressure before removing the valve and be sure not to create an explosive inside or outside the valve. The staff operating the setting up of the valve will be trained to perform this operation and will wear all necessary protections linked to the carried fluid.

8) Do not let the mechanism in intermediate position for a long time to avoid any phenomenon of cavitation and/or erosion.

9) Do not modify the documents furnished by AUTEXIER (instructions, metal plates, certificates etc.).

**CAUTION: AUTEXIER is not anymore responsible of the good working of the valve if this one has been dismantled or modified by a person not approved by AUTEXIER.**

### **V) Operating / Maintenance**

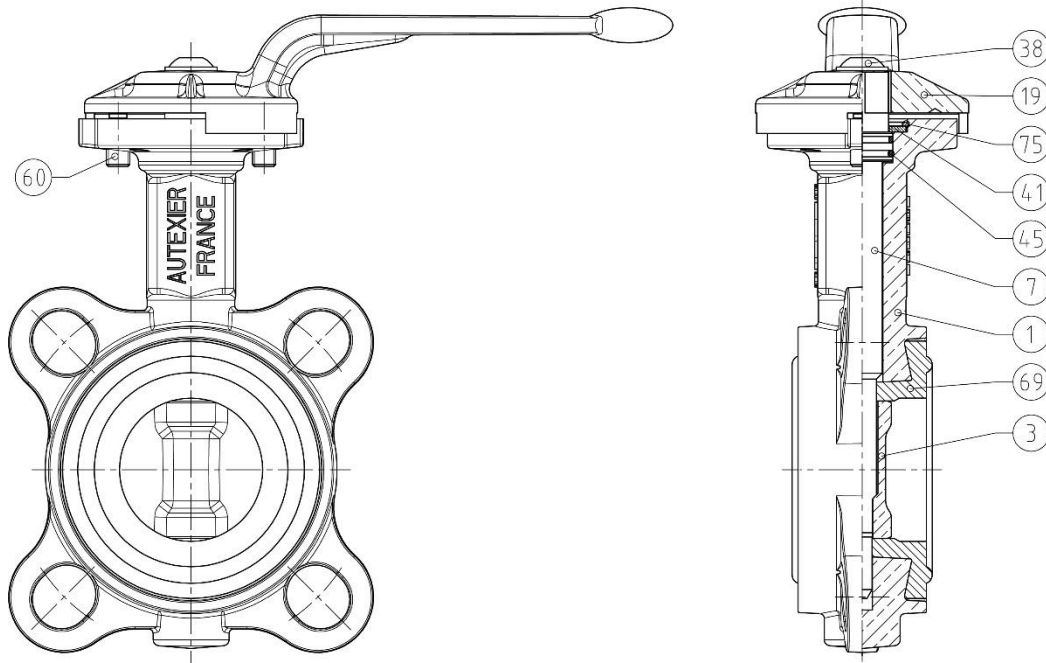
It is imperative to maintain the valve clean and in good working conditions. It is necessary to check periodically that no foreign body blocks the piping and that the installation is free of deposits and impurities.

### **VI) Guarantee**

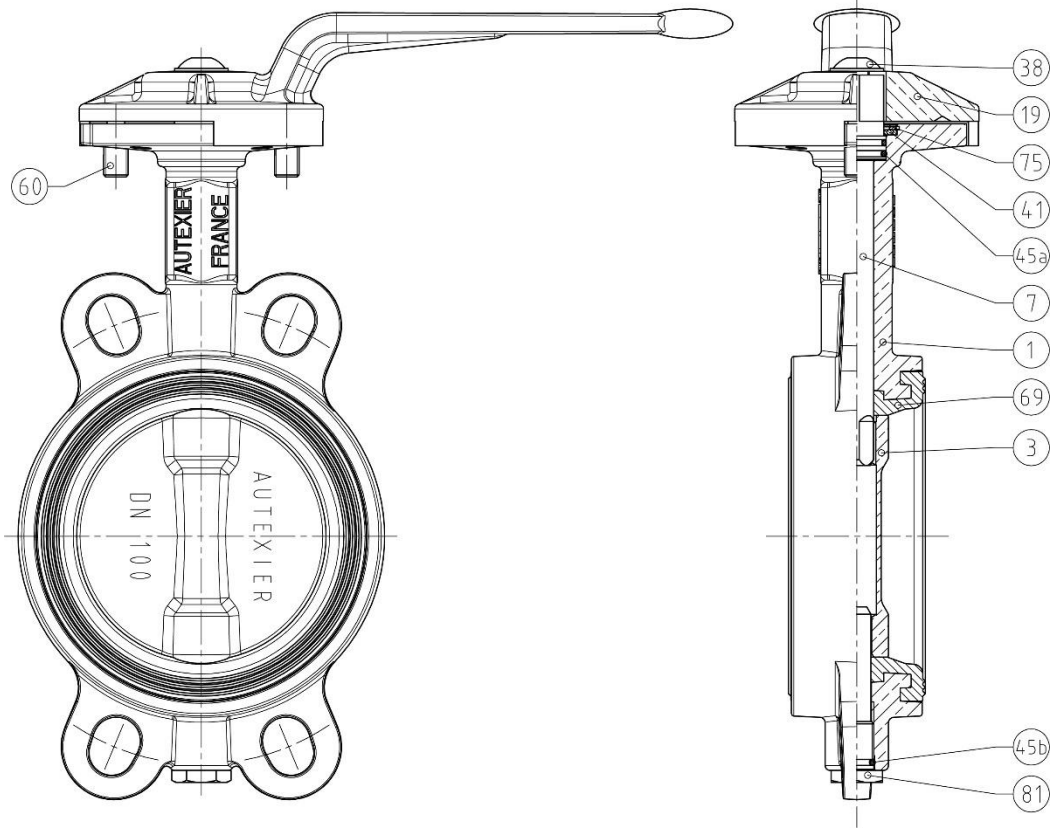
All our products are guaranteed during twelve months from the delivery against any defect of material or manufacturing, when the conditions of use are respected: this guarantee is limited to the replacement or to the repair by our company of the defective recognized parts. We decline all responsibility in case of non respect with our instructions.

Ref. A601 / AU601

DN25 to DN65

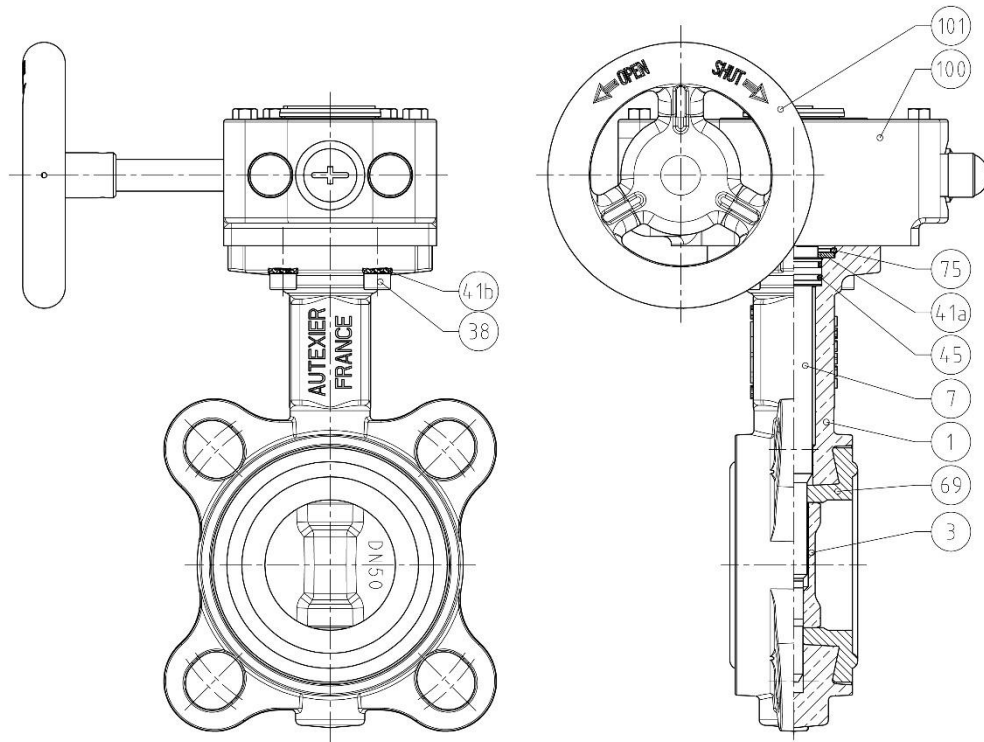


DN80 to DN125

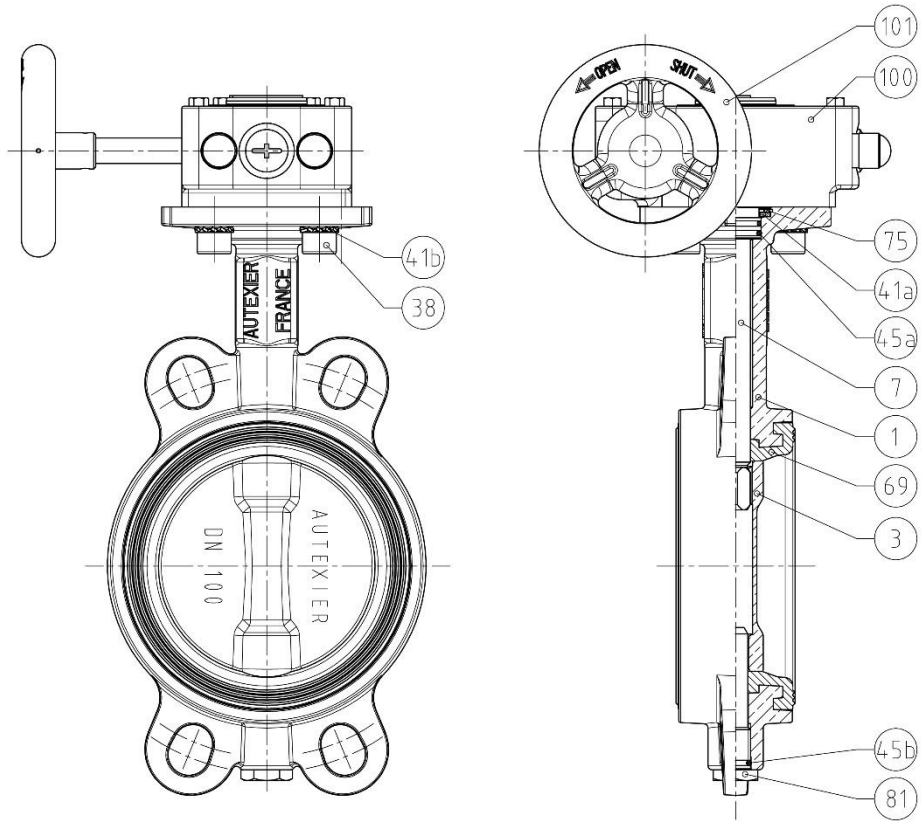


Ref. A601M / AU601M

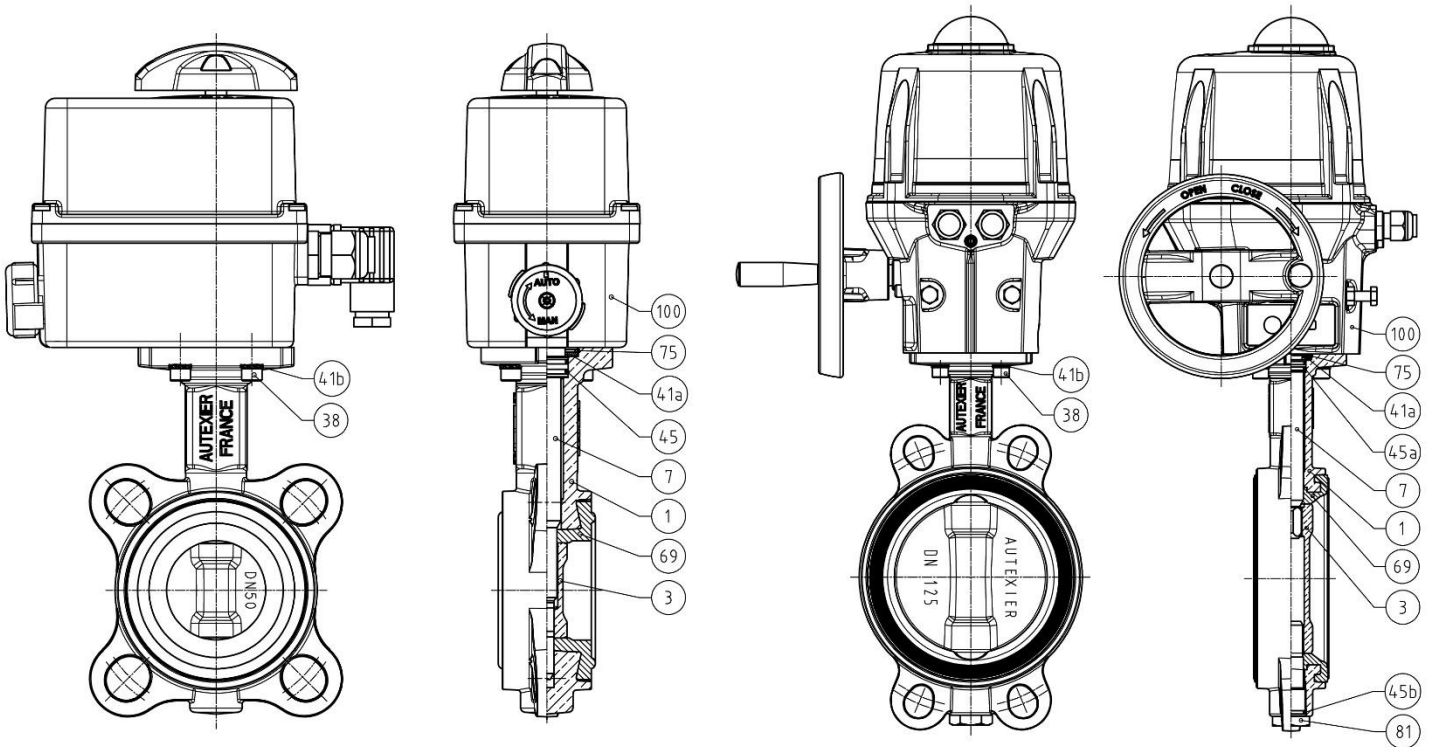
DN25 to DN65



DN80 to DN300

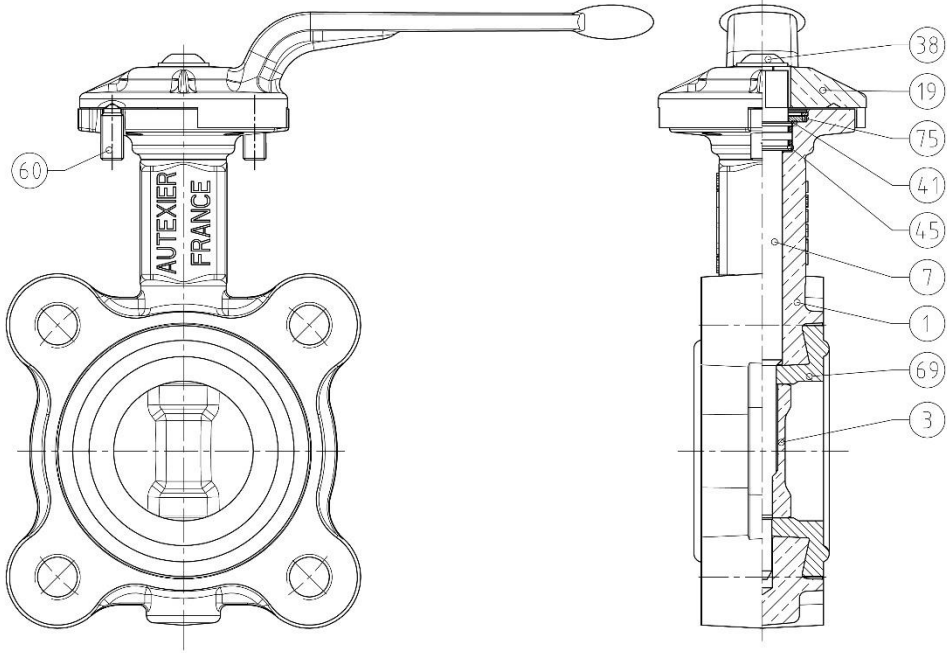


Ref. A601ME / AU601ME

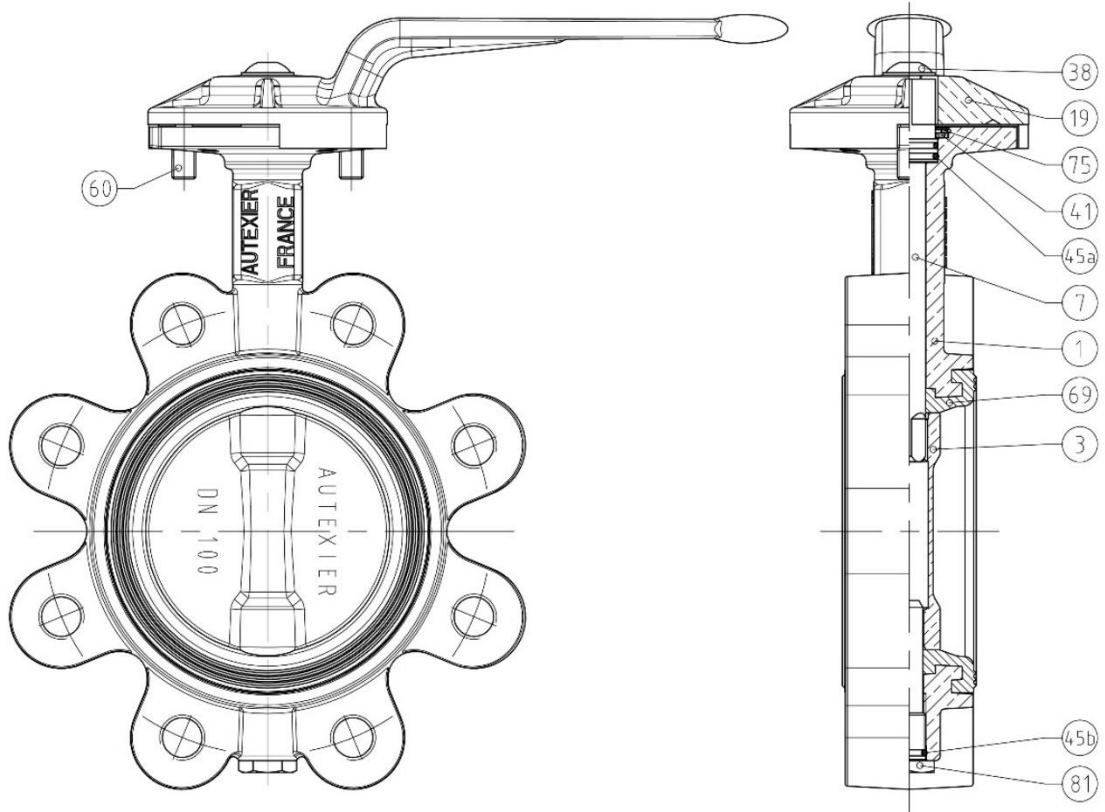


Ref. A602 / AU602

DN25 to DN65

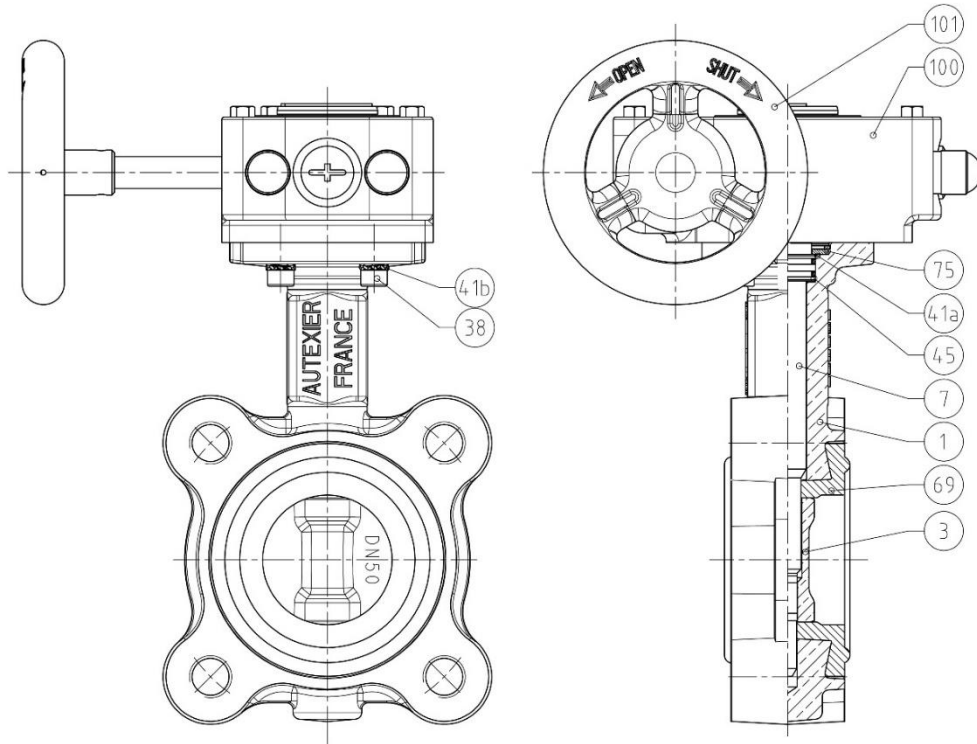


DN80 to DN125

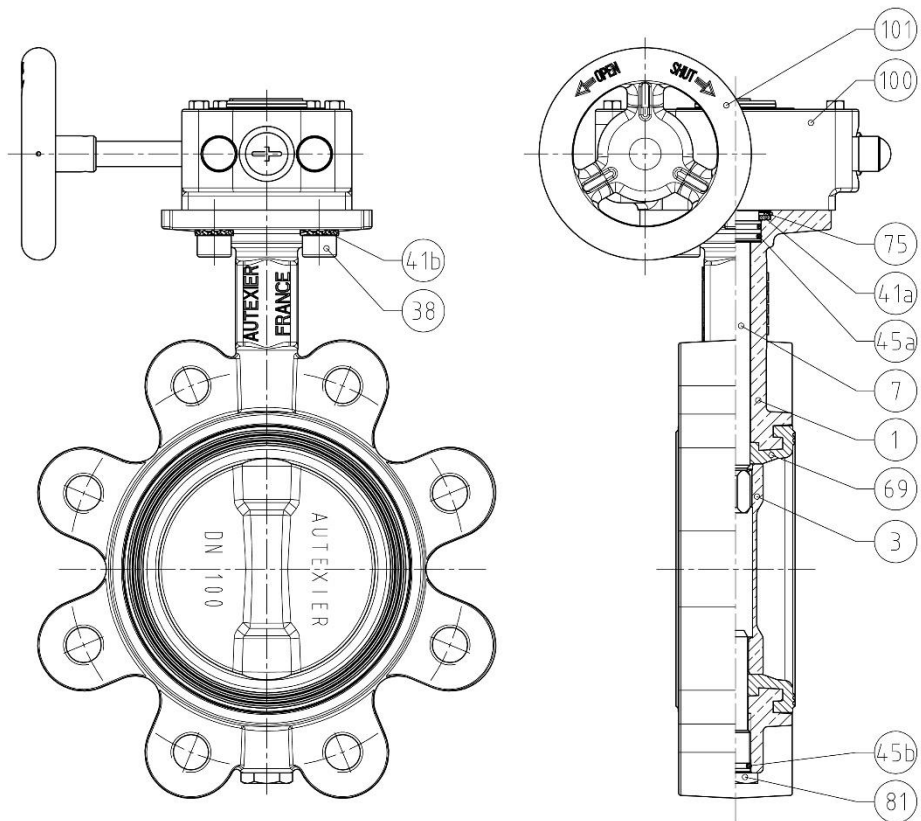


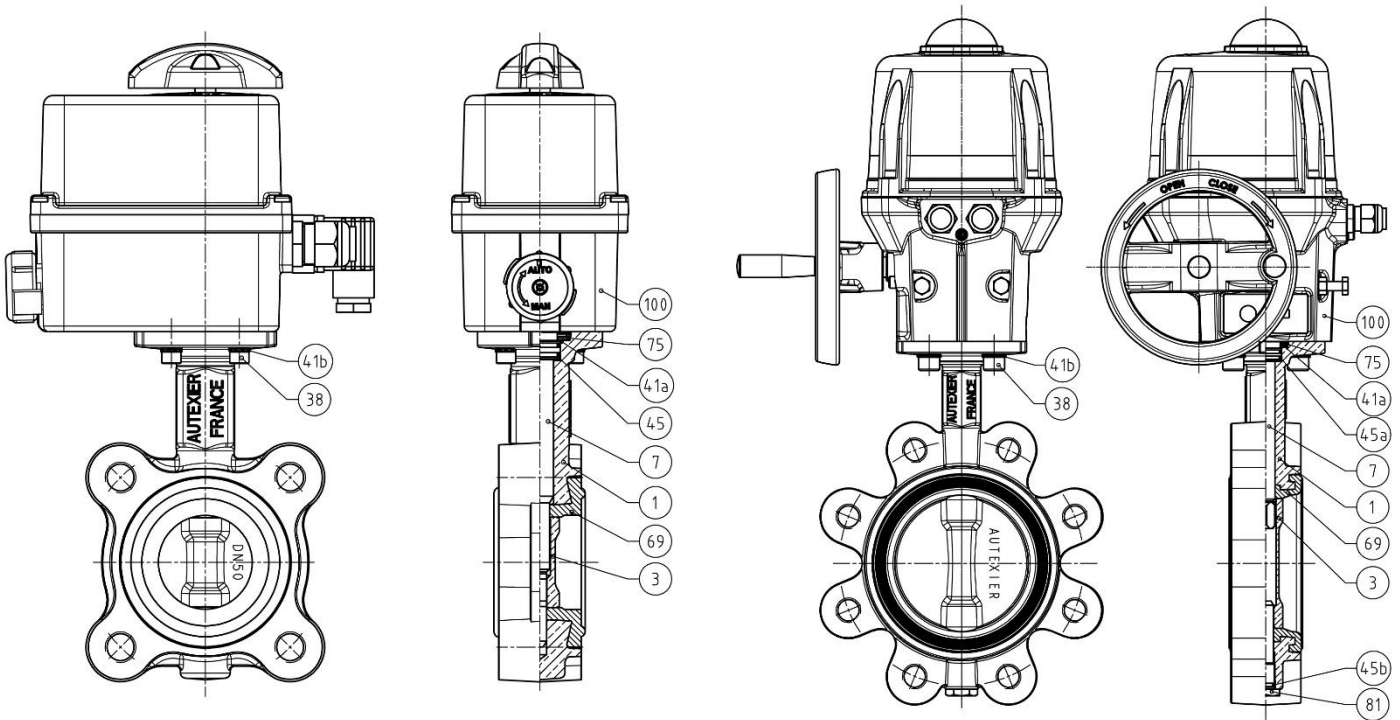
Ref. A602M / AU602M

DN25 to DN65



DN80 to DN300







**VII) Marking**

After being tested and adjusted, each valve is sealed by AUTEXIER. If another agency makes a mark by punching the valve should not be damaged. Poorly executed, deformations could make tap fugitive, or inoperative. Punching of thin walls is prohibited.

Valves are identified by a label with the following information:

- The date of shipment
- Specifications:
  - 1 - Designation: Reference of valve
  - 2 - Number of the linked document and number of declaration of conformity to directive 2014/68/EU
  - 3 - Inlet nominal diameter and outlet nominal diameter
  - 4 - Maximum conditions of use
  - 5 - Envelope pressure test
  - 6 - Safety pressure
  - 7 - Set pressure (xx for this product)
  - 8 - Group of fluid G for Gas / L for Liquid or S for Steam
- If requirement, **CE** with number of identifying the notified body 0094 (LRQA)

 <b>AUTEXIER</b> FABRICANT EN ROBINETTERIE INDUSTRIELLE 93 RUE LOUIS BLANC / 02300 CHAUNY FRANCE / + 33 (0)3 23 52 02 86		jj/mm/aa :	
Désignation : <b>1</b>		N° Doc. : <b>2</b>	Dcl : <b>2</b>
○	Entrée (Inlet) : DN <b>3</b>		Sortie (Outlet) : DN <b>3</b>
	PN (NP) : <b>4</b> Bar		TS (Mini./Max.) : <b>4</b> °C
Pression d'essais (Test pressure) PT : <b>5</b> Bar			 0094
Pression maximale admissible (Safety pressure) PS : <b>6</b> Bar			
Pression de tarage (Set pressure) PDO : <b>7</b> Bar			
Groupe de fluide (Group of fluid) : <input type="text" value="1"/> → <b>8</b>			

**It is imperative to respect the conditions of use stated on the rating plate (pressure, temperature, and fluid) under penalty of equipment damage and void the warranty.**

