



AUTEXIER

MANUFACTURER OF INDUSTRIAL MARINE AND OIL & GAS VALVES
IN BRONZE AND ALUMINIUM-BRONZE

93, rue Louis Blanc - 02300 CHAUNY - FRANCE

Tel: +33 (0)3.23.52.02.86 - Fax: +33 (0)3.23.39.52.28

www.autexier.fr

Instruction for use for gate valves



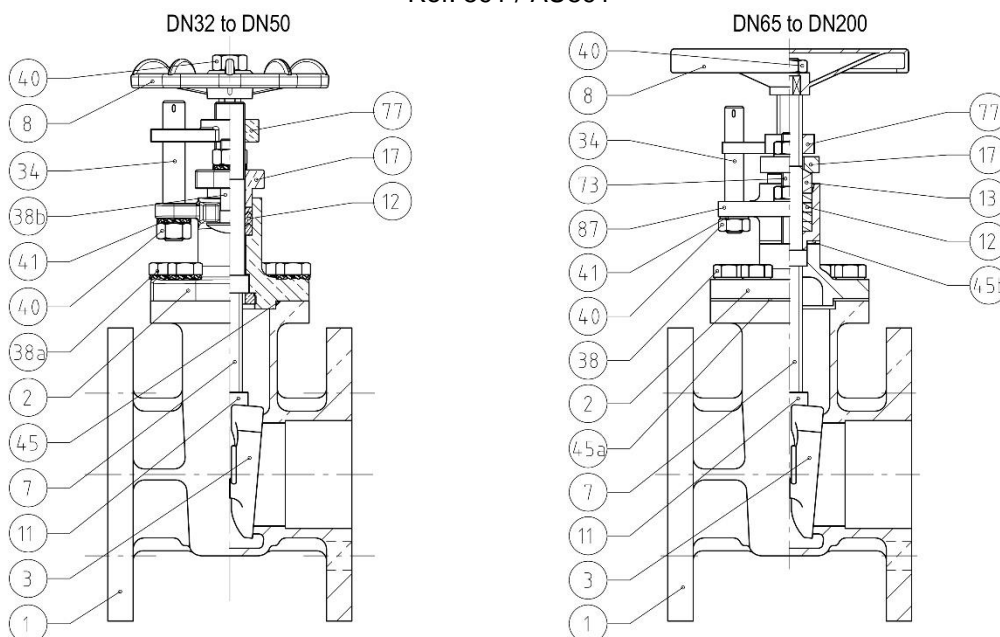
591, AU591, 592 and AU592

Operation

This gate valve opens and shuts by turning the *handwheel* **8**. This rotation lifts or lowers the *double wedge disc* **3**, through *wedge disc nut* **11**, thanks to a spiral link (screw/nut connections) with the *stem* **7**.

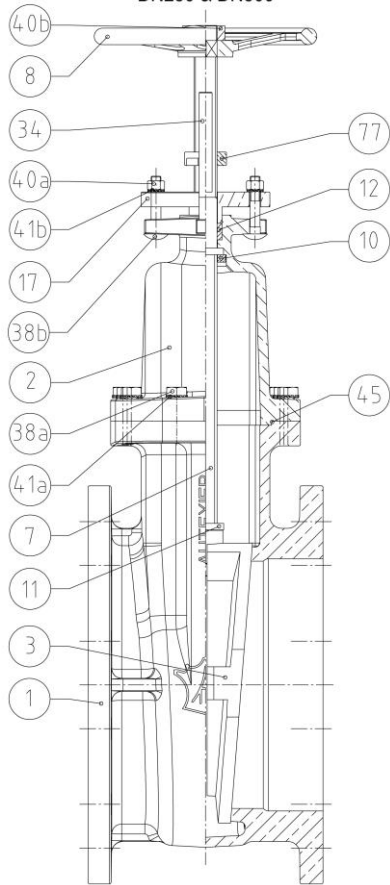
In order to prevent any translation of the *stem* **7**, it is retained between the *bonnet* **2** and the *stuffing box* **87**. Sealing is ensured by means of a *packing flange* **17**, a *packing* **12** and a *packing gland* **13**. This stack is assembled by us in the factory. This valve is equipped with an opening indicator system, to know the open or closed position. Indeed, when the valve is open, the *indicator* **77** arrives at the top of the *guide* **34** next to the mark **O**, engraved on the guide.

Ref. 591 / AU591

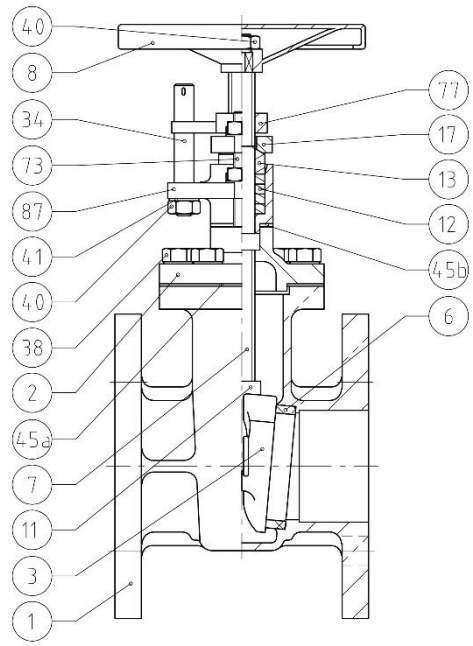


Ref. AU591

DN250 & DN300



Ref. 592 / AU592



Ref. Document 0904DA87E version 02 of 24 January 2025

