



AUTEXIER

**MANUFACTURER OF INDUSTRIAL MARINE AND OIL & GAS VALVES
IN BRONZE AND ALUMINIUM-BRONZE**

93, rue Louis Blanc - 02300 CHAUNY - FRANCE

Tel: +33 (0)3.23.52.02.86 - Fax: +33 (0)3.23.39.52.28

www.autexier.fr

Instruction for use for gate valves



89, AU89, 90, AU90, 91, AU91, 191, 191TB, A191, AU191, A191A/AE/AS, A191B/BE/BS, A191C/CE/CS, A191D/DE/DS, A191H, A2191A/AE/AS, A2191B/BE/BS, A2191C/CE/CS, A2191D/DE/DS, A3191A/AE, A3191B/BE, A3191C/CE, A3191D/DE, A3192A/AE, A3192B/BE, A3192C/CE and A3192D/DE

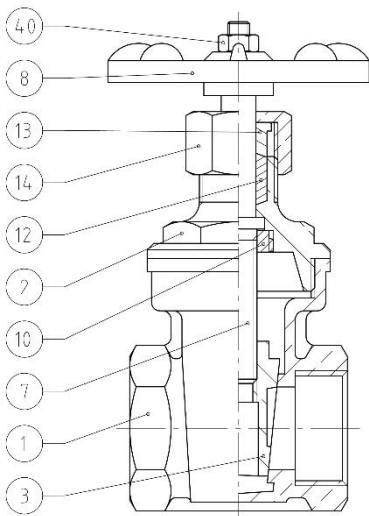
Operation

This gate valve opens and shuts by turning the *wheel* **8**. This rotation lifts or lowers the *wedge disc* **3** thanks to a spiral link (screw/nut connections) between the *stem* **7** and the *bonnet* **2**.

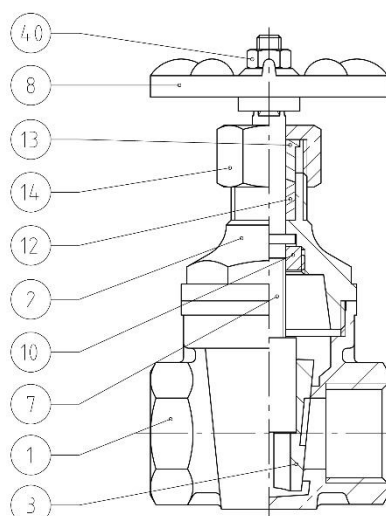
The valves A191, A1191, A2191, A3191 and A3192 can be equipped with a *bolt* **85** (via the *spring pin* **61** and the *bracket* **89**) for putting a padlock, blocking the opening mechanism in the desired position and removing any possibility of tampering. They can also be equipped with opening indicator, when opening the valve, the *travel indicator* **77** in the *guide* **34** so as to discover the letter **O** and closing, the reverse movement is performed to see letter **F** appear. To enable sealing between the *wedge disc* **3** and the *body* **1**, the tightening torque of the steering on the DN25 must be between 8 and 11 N · m (Maximum).

The valves A2191, A3191 and A3192 have a purge system consisting of the *nozzle* **28a** screwed into the *body* **1**. This *nozzle* **28a** is protected by the *cap* **28b**, in case it is not used. To bleed the system, unscrew the *cap* **28b**, partly unscrew the *nozzle* **28a** and the fluid flows through a hole in the *nozzle* **28a**. After this operation, screw the *nozzle* **28a** to bottom, screw the *cap* **28b** by putting the first *gasket* **45** in place at the bottom of the *cap* **28b**. The tightening torque of the A3191 Guillemin plug valves, must be included between 15 and 20 N · m (Maximum).

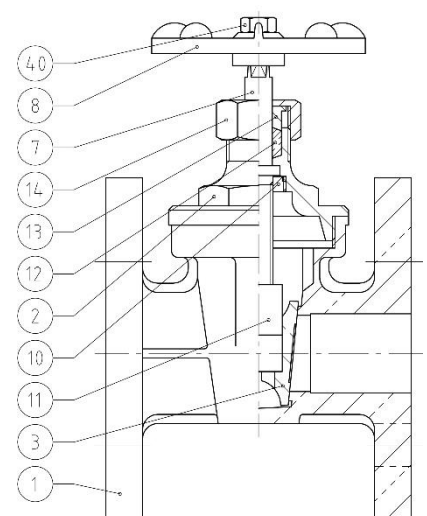
Ref. 89 / AU89



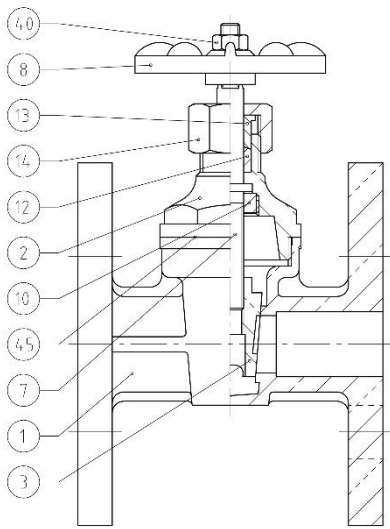
Ref. 90 / AU90



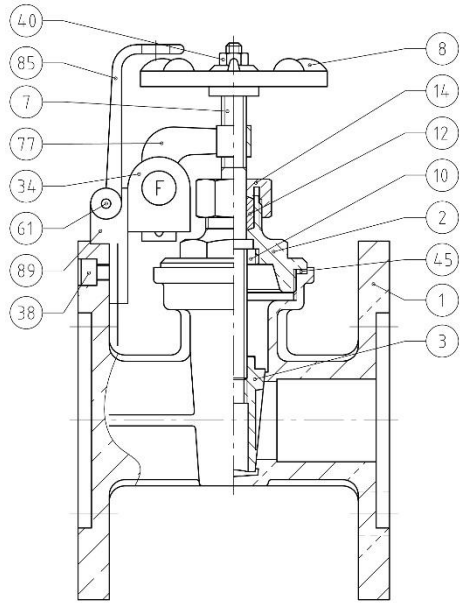
Ref. 91 / AU91



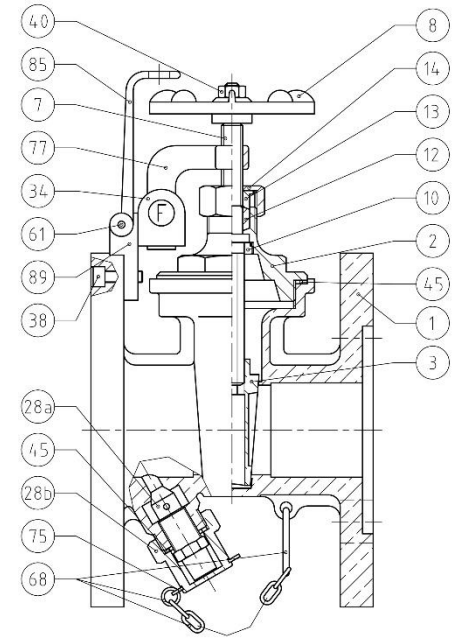
Ref. 191 / AU191



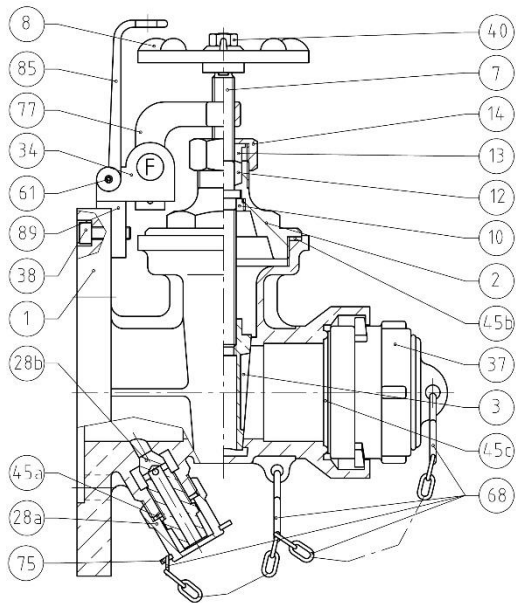
Ref. A1191 / A1191



Ref. A2191



Ref. A3191



Ref. A3192

