



# AUTEXIER

MANUFACTURER OF INDUSTRIAL VALVES

93 Rue Louis Blanc - 02300 CHAUNY - FRANCE  
 Phone : +33 (0)3 23 52 02 86 Fax : +33 (0)3 23 39 52 28  
 Website : www.autexier.fr

Ref. AU3202 Family : 46

Rev. 04

Date : 25 Nov. 2024

Page 1/1

## ALUMINIUM BRONZE FIRE HYDRANT STRAIGHT PATTERN VALVE

### Ref. AU3202.Ø

**SERIES :**

- AU3202.Ø

For material compatibility, contact us

**CHARACTERISTICS :**

- PN16 (Nominal Pressure)
- ENDS : Flange ISO PN16 / Guillemín or Storz outlet coupling
- MATERIAL : ALUMINIUM BRONZE CC333G

**MAXIMUM CONDITIONS OF USE :**

- 16 bar of -10°C to 100°C

**APPLICATIONS :**

- Fire networks
- Seawater

**OPTIONS :**

- Tap drain valve
- Double tightness packing
- Special drilling
- Plug drilling on demand

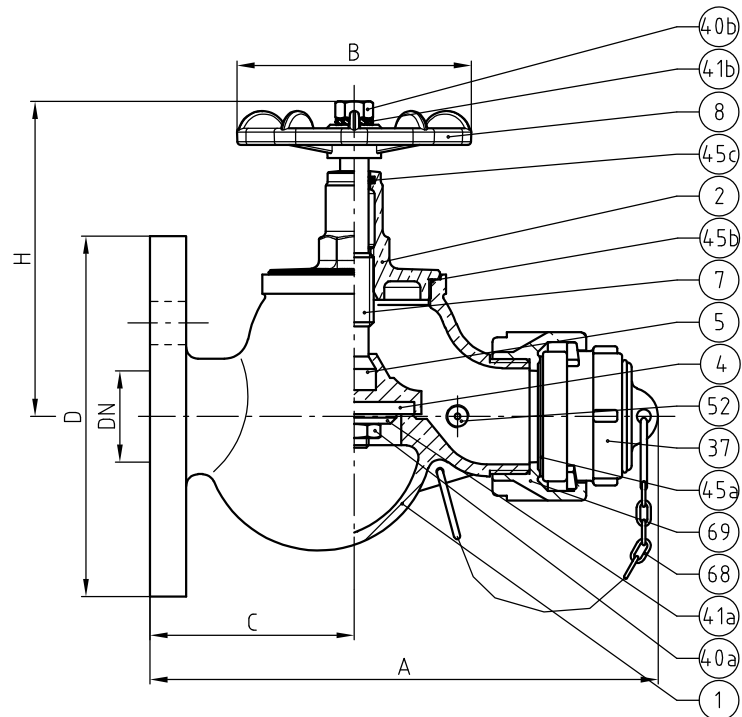
Specific dimensions, contact us



Subject to modifications  
 Photo for information only

NOMENCLATURE			
Rep	Qty	Designation	Material
1	1	BODY	ALUMINIUM BRONZE
2	1	BONNET	ALUMINIUM BRONZE
4	1	DISC	NBR
5	1	DISC HOLDER	ALUMINIUM BRONZE
7	1	STEM	ALUMINIUM BRONZE
8	1	HANDWHEEL	ALUMINIUM ALLOY
37	1	PLUG	BRONZE
40a	1	NUT	STAINLESS STEEL
40b	1	NUT	STAINLESS STEEL
41a	1	WASHER	ALUMINIUM BRONZE
41b	1	WASHER	STAINLESS STEEL
45a	1	GASKET	NBR
45b	1	O-RING	FPM
45c	1	O-RING	FPM
52	1	TAP DRAIN VALVE*	ALUMINIUM BRONZE
68	1	CHAIN	STAINLESS STEEL
69	1	FITTING	BRONZE

\*Optional



**REFERENCES NORMS :**

- Material : NF EN 1982 - NF EN 12163 - NF EN 12164 - NF EN 10272
- Testing & checking : NF EN 12266-1/-2 (bench test)
- Flange : NF EN 1092-3
- Fitting : NF E 29-572 / DIN 14 307/311

Ref. instruction of assembling : 0904DA119E

Ref. instruction of operation : 0904DA120E

**Mounting & assembly guides are available on our website.**

DIMENSIONS		
DN	40	50
A (mm)	212	212
B (mm)	110	110
C (mm)	85	85
D (mm)	150	165
H (mm)	134	134
Weight (Kg)	4.600	5.150

These data are for information and can be modified without notice. It is not up to us to appreciate specifications. It is up to the customer to verify the adequacy between the equipment chosen and the real conditions of use.