



# AUTEXIER

MANUFACTURER OF INDUSTRIAL VALVES

93 Rue Louis Blanc - 02300 CHAUNY - FRANCE  
Phone : +33 (0)3 23 52 02 86 Fax : +33 (0)3 23 39 52 28  
Website : www.autexier.fr

Ref. AU74 Family : 49

Rev. 01

Date : 03 Oct. 2024

Page 1/1

# ALUMINIUM BRONZE BALL VALVE Ref. AU74.25DM

### SERIES :

- AU74

*For material compatibility, contact us*

### CARACTERISTICS :

- PN16 (Nominal Pressure)
- ENDS : ISO PN16 Flanges and BSP female thread
- MATERIAL : ALUMINIUM BRONZE CC333G

### MAXIMUM CONDITIONS OF USE :

- 16 bar of -10°C to 100°C

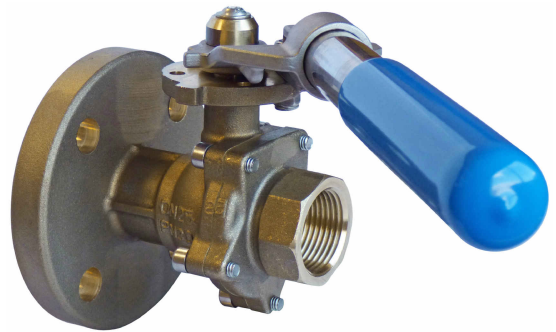
### APPLICATIONS :

- Water-based fluids
- Oil & gas
- Seawater

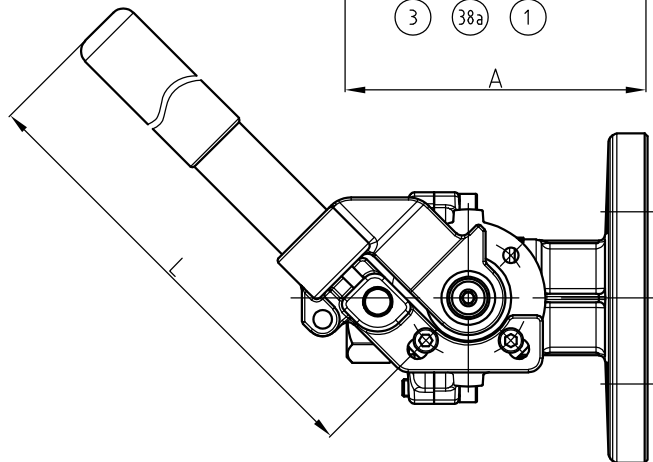
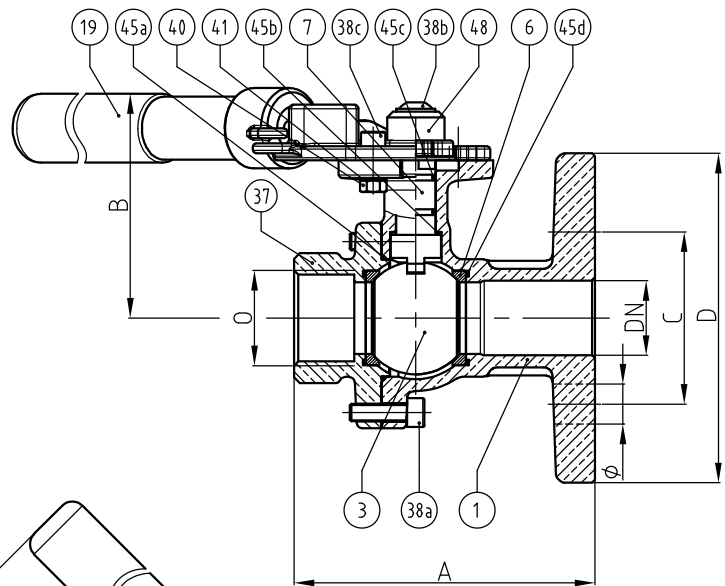
### OPTIONS :

- Special drilling
- Monel Trim

*Specific dimensions, contact us*



*Subject to modifications*



NOMENCLATURE			
Rep	Qty	Designation	Material
1	1	BODY	ALUMINIUM BRONZE
3	1	SHUTTER	ALUMINIUM BRONZE
6	2	SEAT	PTFE
7	1	STEM	ALUMINIUM BRONZE
19	1	HANDLE	STAINLESS STEEL 304
37	1	PLUG	ALUMINIUM BRONZE
38a	5	SCREW	STAINLESS STEEL A4-70
38b	1	SCREW	STAINLESS STEEL A4-70
38c	2	SCREW	STAINLESS STEEL A2-70
40	2	NUT	STAINLESS STEEL A2
41	2	WASHER	STAINLESS STEEL A2
45a	1	O-RING	FPM
45b	1	GASKET	PTFE
45c	2	GASKET	FPM
45d	2	O-RING	FPM
48	1	SPACER	ALUMINIUM BRONZE

### REFERENCES NORMS :

- Material : NF EN 1982 - NF EN 12163 - NF EN 12164 - NF EN 10272
- Testing & checking : NF EN 12266-1/-2 (bench test)
- Flange : NF EN 1092-3
- Female thread : ISO 228-1

Ref. instruction of assembling : 0904DA135E

Ref. instruction of operation : 0904DA136E

**Mounting & assembly guides are available on our website.**

DIMENSIONS	
DN	25
A (mm)	105
B (mm)	80
C (mm)	85
D (mm)	115
L (mm)	225
O	G 1"
Ø Drilling	4x14
Weight (Kg)	2.600

*These data are for information and can be modified without notice. It is not up to us to appreciate specifications. It is up to the customer to verify the adequacy between the equipment chosen and the real conditions of use.*