



AUTEXIER

MANUFACTURER OF INDUSTRIAL VALVES

93 Rue Louis Blanc - 02300 CHAUNY - FRANCE
 Phone : +33 (0)3 23 52 02 86 Fax : +33 (0)3 23 39 52 28
 Website : www.autexier.fr

Ref. AU602 Family : 47

Rev. 01

Date : 25 Sept. 2024

Page 1/3

ALUMINIUM BRONZE BUTTERFLY VALVE Ref. AU602MEØ

SERIES :

- AU602

For material compatibility, contact us



CARACTERISTICS :

- PN16 (Nominal Pressure)

- JUNCTION : ISO PN10 / PN16

- MATERIAL : ALUMINIUM BRONZE CC333G

MAXIMUM CONDITIONS OF USE :

- 16 bar of -10°C to 100°C

APPLICATIONS :

- Water-based fluids

- Water

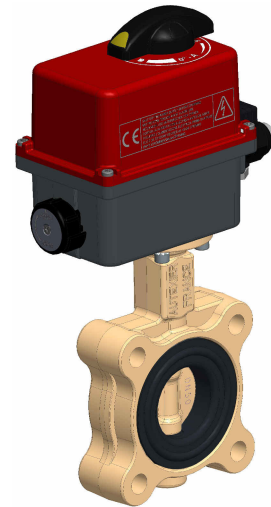
- Seawater

OPTIONS :

- EPDM, FPM or NBR Cuff

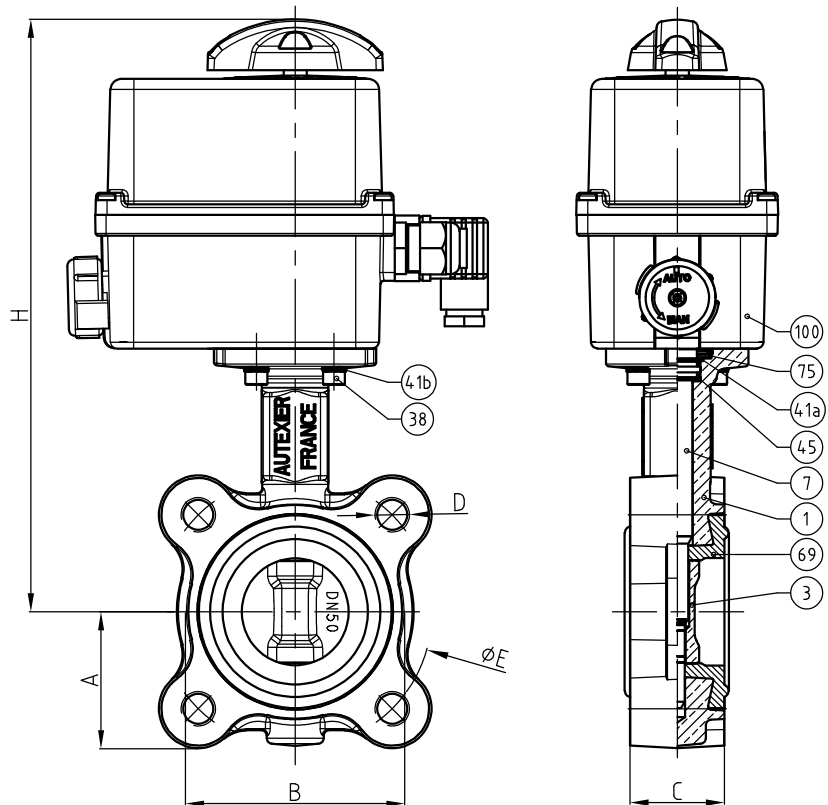
- Junction ISO PN20 (ANSI CL150)

Specific dimensions, contact us



Subject to modifications

NOMENCLATURE			
Rep	Qty	Designation	Material
1	1	BODY	ALUMINIUM BRONZE
3	1	WEDGE DISC	ALUMINIUM BRONZE
7	1	STEM	ALUMINIUM BRONZE
38	4	SCREW	STAINLESS STEEL A4-70
41a	1	WASHER	ALUMINIUM BRONZE
41b	4	WASHER	STAINLESS STEEL A4
45	2	O-RING	FPM
69	1	CUFF	EPDM / FPM / NBR
75	1	HOUSING RINGS	STAINLESS STEEL A4
100	1	ACTUATOR	PA6 UL 94 V-0 STAINLESS STEEL



REFERENCES NORMS :

- Material : NF EN 1982 - NF EN 12163 - NF EN 12164 - NF EN 10272

- Testing & checking : NF EN 12266-1/-2 (bench test)

- Face to face : NF EN 558 - Series 20

- Shell design strength : NF EN 12516-3 V2003

Ref. instruction of assembling : 0904DA113E

Ref. instruction of operation : 0904DA114E

Mounting & assembly guides are available on our website.

DIMENSIONS				
DN	32	40	50	65
A (mm)	53	56	62	69
B (mm)	78	85	105	108
C (mm)	33	33	43	46
D (mm)	4×M16	4×M16	4×M16	4×M16
E (mm)	100	110	125	145
H (mm)	257	260	270	310
Base ISO	F05	F05	F05	F05
Maximum torque (N.m)	12	15	17	25
Weight (Kg)	--	--	--	--

These data are for information and can be modified without notice. It is not up to us to appreciate specifications. It is up to the customer to verify the adequacy between the equipment chosen and the real conditions of use.



AUTEXIER

MANUFACTURER OF INDUSTRIAL VALVES

93 Rue Louis Blanc - 02300 CHAUNY - FRANCE
 Phone : +33 (0)3 23 52 02 86 Fax : +33 (0)3 23 39 52 28
 Website : www.autexier.fr

Ref. AU602 Family : 47

Rev. 01

Date : 25 Sept. 2024

Page 2/3

ALUMINIUM BRONZE BUTTERFLY VALVE Ref. AU602MEØ

SERIES :

- AU602

For material compatibility, contact us



CARACTERISTICS :

- PN16 / PN10 (Nominal Pressure)

- JUNCTION : ISO PN10 / PN16

- MATERIAL : ALUMINIUM BRONZE CC333G

MAXIMUM CONDITIONS OF USE :

- 16 bar of -10°C to 100°C

APPLICATIONS :

- Water-based fluids

- Water

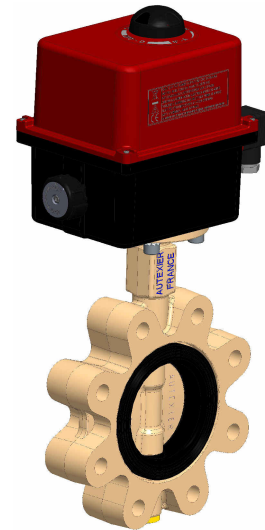
- Seawater

OPTIONS :

- EPDM, FPM or NBR Cuff

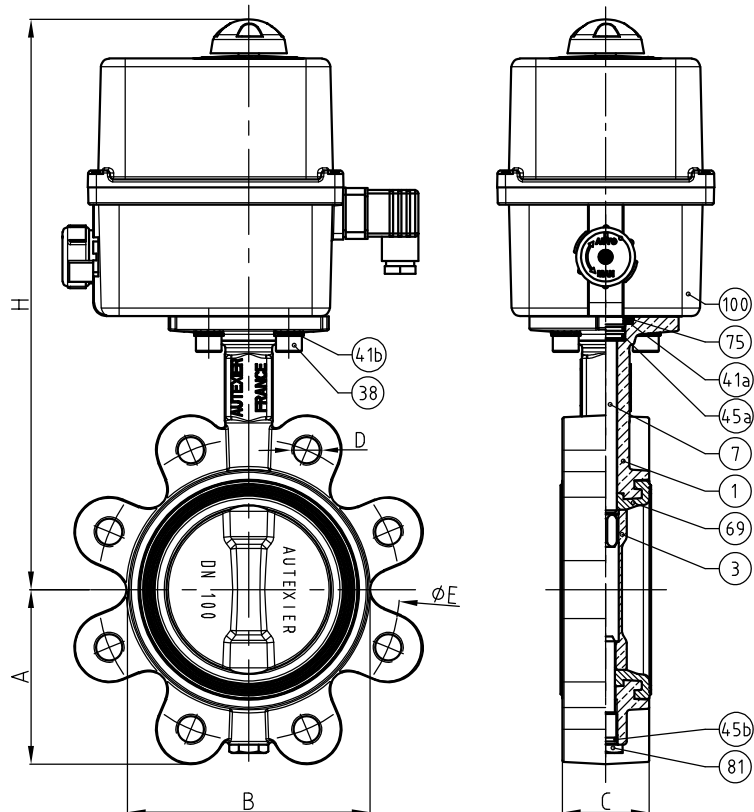
- Junction ISO PN20 (ANSI CL150)

Specific dimensions, contact us



Subject to modifications

NOMENCLATURE			
Rep	Qty	Designation	Material
1	1	BODY	ALUMINIUM BRONZE
3	1	WEDGE DISC	ALUMINIUM BRONZE
7	1	STEM	ALUMINIUM BRONZE
38	4	SCREW	STAINLESS STEEL A4-70
41a	1	WASHER	ALUMINIUM BRONZE
41b	4	WASHER	STAINLESS STEEL A4
45a	2	O-RING	FPM
45b	1	O-RING	FPM
69	1	CUFF	EPDM / FPM / NBR
75	1	HOUSING RINGS	STAINLESS STEEL A4
81	1	AXIS	ALUMINIUM BRONZE
100	1	ACTUATOR	PA6 UL 94 V-0 STAINLESS STEEL



REFERENCES NORMS :

- Material : NF EN 1982 - NF EN 12163 - NF EN 12164 - NF EN 10272

- Testing & checking : NF EN 12266-1/-2 (bench test)

- Face to face : NF EN 558 - Series 20

- Shell design strength : NF EN 12516-3 V2003

Ref. instruction of assembling : 0904DA113E

Ref. instruction of operation : 0904DA114E

Mounting & assembly guides are available on our website.

DIMENSIONS		
DN	80	100
A (mm)	95	103
B (mm)	129	150
C (mm)	46	52
D (mm)	8×M16	8×M16
E (mm)	160	180
H (mm)	334	342
Base ISO	F07	F07
Maximum torque (N.m)	28	50
Weight (Kg)	--	--

These data are for information and can be modified without notice. It is not up to us to appreciate specifications. It is up to the customer to verify the adequacy between the equipment chosen and the real conditions of use.



AUTEXIER

MANUFACTURER OF INDUSTRIAL VALVES

93 Rue Louis Blanc - 02300 CHAUNY - FRANCE
 Phone : +33 (0)3 23 52 02 86 Fax : +33 (0)3 23 39 52 28
 Website : www.autexier.fr

Ref. AU602 Family : 47

Rev. 01

Date : 25 Sept. 2024

Page 3/3

ALUMINIUM BRONZE BUTTERFLY VALVE Ref. AU602MEØ

SERIES :

- AU602

For material compatibility, contact us



CARACTERISTICS :

- PN16 / PN10 (Nominal Pressure)
- JUNCTION : ISO PN10 / PN16
- MATERIAL : ALUMINIUM BRONZE CC333G

MAXIMUM CONDITIONS OF USE :

- 16 bar of -10°C to 100°C
- 10 bar of -10°C to 100°C (DN200 & DN250)

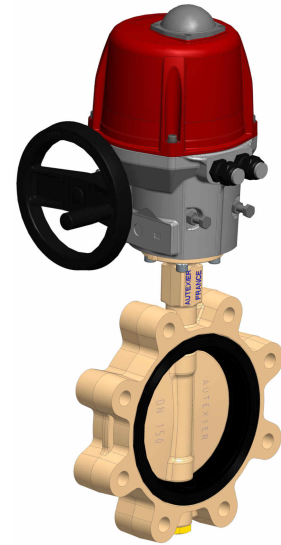
APPLICATIONS :

- Water-based fluids
- Water
- Seawater

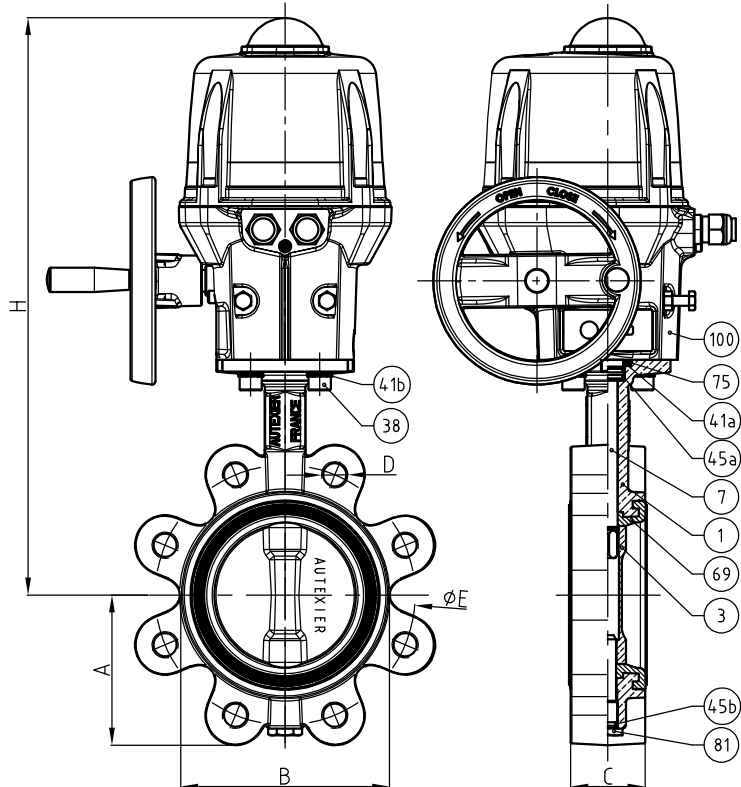
OPTIONS :

- EPDM, FPM or NBR Cuff
- Junction ISO PN20 (ANSI CL150)

Specific dimensions, contact us



Subject to modifications



NOMENCLATURE			
Rep	Qty	Designation	Material
1	1	BODY	ALUMINIUM BRONZE
3	1	WEDGE DISC	ALUMINIUM BRONZE
7	1	STEM	ALUMINIUM BRONZE
38	4	SCREW	STAINLESS STEEL A4-70
41a	1	WASHER	ALUMINIUM BRONZE
41b	4	WASHER	STAINLESS STEEL A4
45a	2	O-RING	FPM
45b	1	O-RING	FPM
69	1	CUFF	EPDM / FPM / NBR
75	1	HOUSING RINGS	STAINLESS STEEL A4
81	1	AXIS	ALUMINIUM BRONZE
100	1	ACTUATOR	PA6 UL 94 V-0 STAINLESS STEEL

REFERENCES NORMS :

- Material : NF EN 1982 - NF EN 12163 - NF EN 12164 - NF EN 10272
- Testing & checking : NF EN 12266-1/-2 (bench test)
- Face to face : NF EN 558 - Series 20
- Shell design strength : NF EN 12516-3 V2003

Ref. instruction of assembling : 0904DA113E

Ref. instruction of operation : 0904DA114E

Mounting & assembly guides are available on our website.

DIMENSIONS				
DN	125	150	200	250
A (mm)	117	133	170	208
B (mm)	183	210	257	330
C (mm)	56	56	60	68
D (mm)	8×M16	8×M20	12×M20	12×M24
E (mm)	210	240	295	355
H (mm)	455	467	503	562
Base ISO	F07	F07	F07	F10
Maximum torque (N.m)	85	110	140	270
Weight (Kg)	--	--	--	--

These data are for information and can be modified without notice. It is not up to us to appreciate specifications. It is up to the customer to verify the adequacy between the equipment chosen and the real conditions of use.