



# AUTEXIER

MANUFACTURER OF INDUSTRIAL VALVES

93 Rue Louis Blanc - 02300 CHAUNY - FRANCE  
Phone : +33 (0)3 23 52 02 86 Fax : +33 (0)3 23 39 52 28  
Website : www.autexier.fr

Ref. AU566 Family : 42

Rev. 01

Date : 19 Sept. 2024

Page 1/1

## ALUMINIUM BRONZE FEMALE STRAIGHT UNION FITTING

### Ref. AU566.Ø

#### SERIES :

- AU566

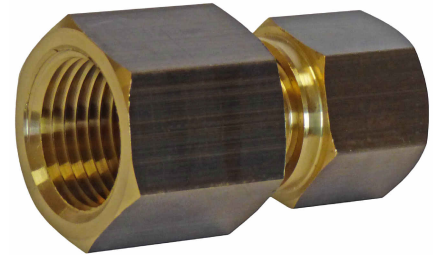
*For material compatibility, contact us*

#### CARACTERISTICS :

- PN40 (Nominal Pressure)
- END : Female BSP threaded
- MATERIAL : ALUMINIUM BRONZE CW307G

#### MAXIMUM CONDITIONS OF USE :

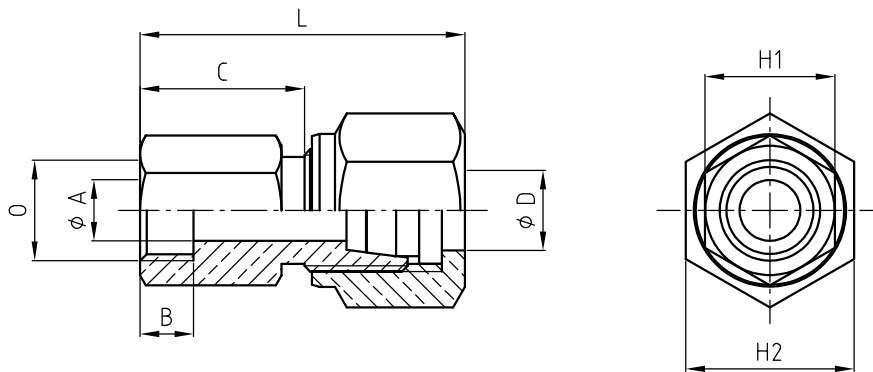
- 40 bar of -10°C to 200°C



*Subject to modifications*

#### APPLICATIONS :

- Water-based fluids
- Water
- Seawater



#### DIMENSIONS

Reference	ØA (mm)	B (mm)	C (mm)	ØD (mm)	H1 (mm)	H2 (mm)	L (mm)	O	Weight (Kg)
AU566.08	6	12	21.5	8.5	19	22	42.5	G 1/4"	0.105
AU566.10	8	12	21.5	10.5	19	22	42.5	G 1/4"	0.100
AU566.11	8	16	26.5	10.5	26	22	46.5	G 1/2"	0.135
AU566.12	8	12	23	10.5	22	22	44	G 3/8"	0.125
AU566.15	12	14	25	15.5	24	27	47	G 3/8"	0.170
AU567.16	8	12	23	15.5	24	27	45	G 1/2"	0.180

#### REFERENCES NORMS :

- Material : NF EN 1982 - NF EN 12163 - NF EN 12164 - NF EN 10272
- Testing & checking : NF EN 12266-1/-2 (bench test)

Ref. instruction of assembling :

Ref. instruction of operation :

**Mounting & assembly guides are available  
on our website.**

*These data are for information and can be modified without notice. It is not up to us to appreciate specifications. It is up to the customer to verify the adequacy between the equipment chosen and the real conditions of use.*