



AUTEXIER

MANUFACTURER OF INDUSTRIAL VALVES

93 Rue Louis Blanc - 02300 CHAUNY - FRANCE
 Phone : +33 (0)3 23 52 02 86 Fax : +33 (0)3 23 39 52 28
 Website : www.autexier.fr

Ref. A601 Family : 47

Rev. 02

Date : 25 Sept. 2024

Page 1/4

BRONZE BUTTERFLY VALVE Ref. A601MEØ

SERIES :

- A601

For material compatibility, contact us



CARACTERISTICS :

- PN16 (Nominal Pressure)
- JUNCTION : ISO PN10/PN16 & ISO PN20 (ANSI CL150)
- MATERIAL : BRONZE CC491K

MAXIMUM CONDITIONS OF USE :

- 16 bar of -15°C to 100°C

APPLICATIONS :

- Water-based fluids
- Water

OPTIONS :

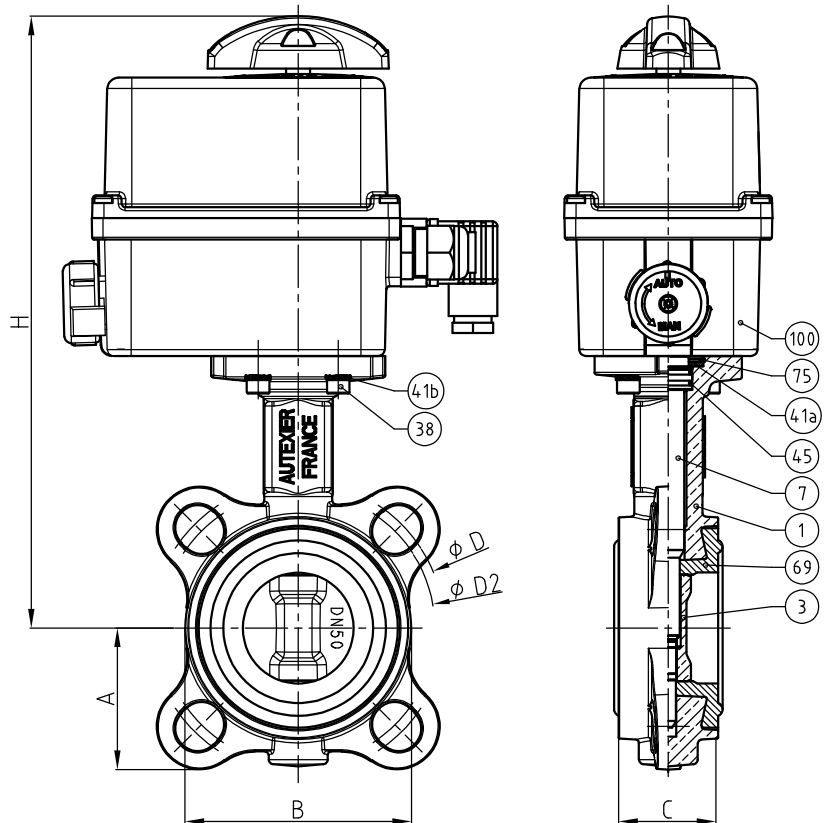
- EPDM, FPM or NBR Cuff

Specific dimensions, contact us



Subject to modifications

| NOMENCLATURE | | | |
|--------------|-----|---------------|----------------------------------|
| Rep | Qty | Designation | Material |
| 1 | 1 | BODY | BRONZE |
| 3 | 1 | WEDGE DISC | BRONZE |
| 7 | 1 | STEM | ALUMINIUM BRONZE |
| 38 | 4 | SCREW | STAINLESS STEEL A4-70 |
| 41a | 1 | WASHER | ALUMINIUM BRONZE |
| 41b | 4 | WASHER | STAINLESS STEEL A4 |
| 45 | 2 | O-RING | FPM |
| 69 | 1 | CUFF | EPDM / FPM / NBR |
| 75 | 1 | HOUSING RINGS | STAINLESS STEEL A4 |
| 100 | 1 | ACTUATOR | PA6 UL 94 V-0 STAINLESS STEEL |



REFERENCES NORMS :

- Material : NF EN 1982 - NF EN 12163 - NF EN 12164 - NF EN 10272
- Testing & checking : NF EN 12266-1/-2 (bench test)
- Face to face : NF EN 558 - Series 20
- Shell design strength : NF EN 12516-3 V2003

Ref. instruction of assembling : 0904DA113E

Ref. instruction of operation : 0904DA114E

Mounting & assembly guides are available on our website.

| DIMENSIONS | | | | |
|----------------------|-------|-------|-------|-------|
| DN | 32 | 40 | 50 | 65 |
| A (mm) | 54 | 58 | 62 | 72 |
| B (mm) | 73 | 80 | 100 | 112 |
| C (mm) | 33 | 33 | 43 | 46 |
| D (mm) | 100 | 110 | 125 | 145 |
| D2 (mm) | 88.9 | 98.4 | 120.6 | 139.7 |
| H (mm) | 258 | 260 | 270 | 310 |
| Base ISO | F05 | F05 | F05 | F05 |
| Maximum torque (N.m) | 12 | 15 | 17 | 25 |
| Weight (Kg) | 3.080 | 3.200 | -- | 5.750 |

These data are for information and can be modified without notice. It is not up to us to appreciate specifications. It is up to the customer to verify the adequacy between the equipment chosen and the real conditions of use.



AUTEXIER

MANUFACTURER OF INDUSTRIAL VALVES

93 Rue Louis Blanc - 02300 CHAUNY - FRANCE
 Phone : +33 (0)3 23 52 02 86 Fax : +33 (0)3 23 39 52 28
 Website : www.autexier.fr

Ref. A601 Family : 47

Rev. 00

Date : 25 Sept. 2024

Page 2/4

BRONZE BUTTERFLY VALVE Ref. A601MEØ

SERIES :

- A601

For material compatibility, contact us



CARACTERISTICS :

- PN16 (Nominal Pressure)
- JUNCTION : ISO PN10/PN16 & ISO PN20 (ANSI CL150)
- MATERIAL : BRONZE CC491K

MAXIMUM CONDITIONS OF USE :

- 16 bar of -15°C to 100°C

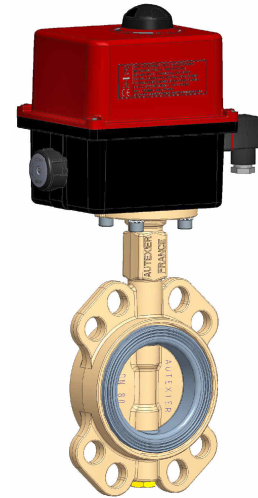
APPLICATIONS :

- Water-based fluids
- Water

OPTIONS :

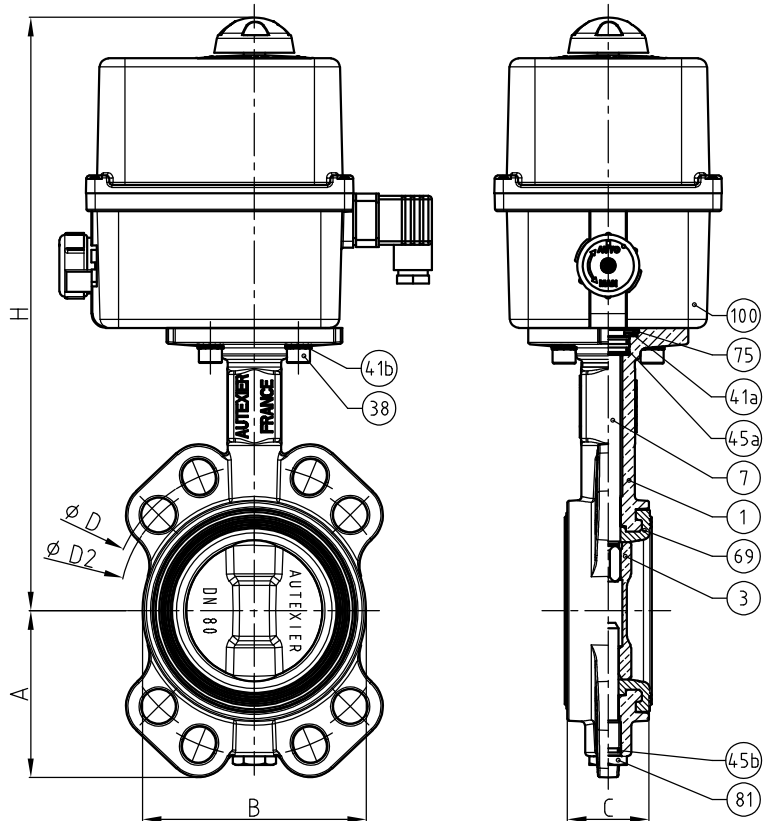
- EPDM, FPM or NBR Cuff

Specific dimensions, contact us



Subject to modifications

| NOMENCLATURE | | | |
|--------------|-----|---------------|----------------------------------|
| Rep | Qty | Designation | Material |
| 1 | 1 | BODY | BRONZE |
| 3 | 1 | WEDGE DISC | BRONZE |
| 7 | 1 | STEM | ALUMINIUM BRONZE |
| 38 | 4 | SCREW | STAINLESS STEEL A4-70 |
| 41a | 1 | WASHER | ALUMINIUM BRONZE |
| 41b | 4 | WASHER | STAINLESS STEEL A4 |
| 45a | 3 | O-RING | FPM |
| 45b | 3 | O-RING | FPM |
| 69 | 1 | CUFF | EPDM / FPM / NBR |
| 75 | 1 | HOUSING RINGS | STAINLESS STEEL A4 |
| 81 | 1 | AXIS | ALUMINIUM BRONZE |
| 100 | 1 | ACTUATOR | PA6 UL 94 V-0 STAINLESS STEEL |



REFERENCES NORMS :

- Material : NF EN 1982 - NF EN 12163 - NF EN 12164 - NF EN 10272
- Testing & checking : NF EN 12266-1/-2 (bench test)
- Face to face : NF EN 558 - Series 20
- Shell design strength : NF EN 12516-3 V2003

Ref. instruction of assembling : 0904DA113E

Ref. instruction of operation : 0904DA114E

Mounting & assembly guides are available on our website.

| DIMENSIONS | |
|----------------------|-------|
| DN | 80 |
| A (mm) | 94 |
| B (mm) | 126 |
| C (mm) | 46 |
| D (mm) | 160 |
| D2 (mm) | 152.4 |
| H (mm) | 334 |
| Base ISO | F07 |
| Maximum torque (N.m) | 28 |
| Weight (Kg) | -- |

These data are for information and can be modified without notice. It is not up to us to appreciate specifications. It is up to the customer to verify the adequacy between the equipment chosen and the real conditions of use.



AUTEXIER

MANUFACTURER OF INDUSTRIAL VALVES

93 Rue Louis Blanc - 02300 CHAUNY - FRANCE
Phone : +33 (0)3 23 52 02 86 Fax : +33 (0)3 23 39 52 28
Website : www.autexier.fr

Ref. A601 Family : 47

Rev. 02

Date : 25 Sept. 2024

Page 3/4

BRONZE BUTTERFLY VALVE Ref. A601MEØ

SERIES :

- A601

For material compatibility, contact us



CHARACTERISTICS :

- PN16 (Nominal Pressure)
- JUNCTION : ISO PN10/PN16 & ISO PN20 (ANSI CL150)
- MATERIAL : BRONZE CC491K

MAXIMUM CONDITIONS OF USE :

- 16 bar of -15°C to 100°C

APPLICATIONS :

- Water-based fluids
- Water

OPTIONS :

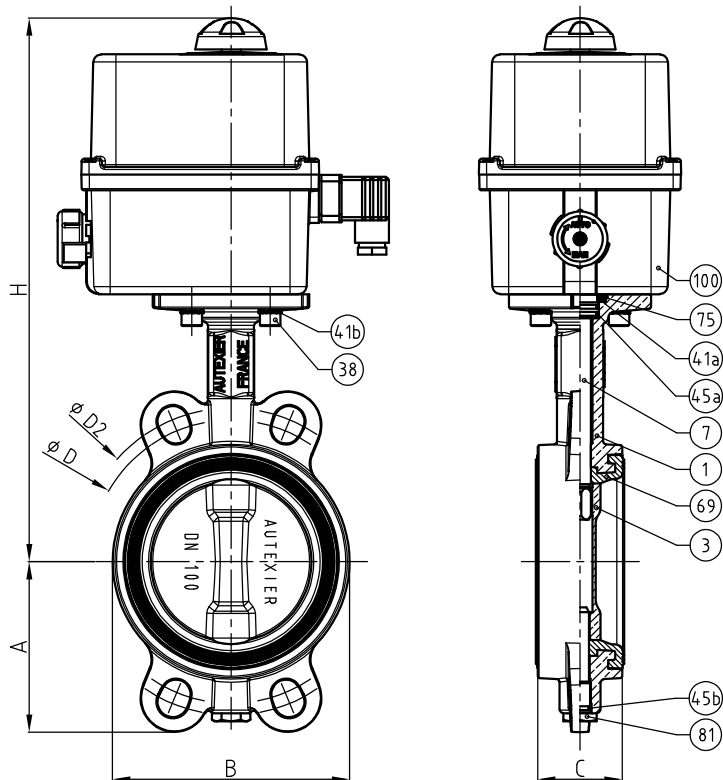
- EPDM, FPM or NBR Cuff

Specific dimensions, contact us



Subject to modifications

| NOMENCLATURE | | | |
|--------------|-----|---------------|----------------------------------|
| Rep | Qty | Designation | Material |
| 1 | 1 | BODY | BRONZE |
| 3 | 1 | WEDGE DISC | BRONZE |
| 7 | 1 | STEM | ALUMINIUM BRONZE |
| 38 | 4 | SCREW | STAINLESS STEEL A4-70 |
| 41a | 1 | WASHER | ALUMINIUM BRONZE |
| 41b | 4 | WASHER | STAINLESS STEEL A4 |
| 45a | 3 | O-RING | FPM |
| 45b | 3 | O-RING | FPM |
| 69 | 1 | CUFF | EPDM / FPM / NBR |
| 75 | 1 | HOUSING RINGS | STAINLESS STEEL A4 |
| 81 | 1 | AXIS | ALUMINIUM BRONZE |
| 100 | 1 | ACTUATOR | PA6 UL 94 V-0 STAINLESS STEEL |



REFERENCES NORMS :

- Material : NF EN 1982 - NF EN 12163 - NF EN 12164 - NF EN 10272
- Testing & checking : NF EN 12266-1/-2 (bench test)
- Face to face : NF EN 558 - Series 20
- Shell design strength : NF EN 12516-3 V2003

Ref. instruction of assembling : 0904DA113E

Ref. instruction of operation : 0904DA114E

Mounting & assembly guides are available on our website.

| DIMENSIONS | |
|----------------------|-------|
| DN | 100 |
| A (mm) | 108 |
| B (mm) | 150 |
| C (mm) | 52 |
| D (mm) | 180 |
| D2 (mm) | 190.5 |
| H (mm) | 344 |
| Base ISO | F07 |
| Maximum torque (N.m) | 50 |
| Weight (Kg) | 7.500 |

These data are for information and can be modified without notice. It is not up to us to appreciate specifications. It is up to the customer to verify the adequacy between the equipment chosen and the real conditions of use.



AUTEXIER

MANUFACTURER OF INDUSTRIAL VALVES

93 Rue Louis Blanc - 02300 CHAUNY - FRANCE
 Phone : +33 (0)3 23 52 02 86 Fax : +33 (0)3 23 39 52 28
 Website : www.autexier.fr

Ref. A601 Family : 47

Rev. 02

Date : 14 Feb. 2023

Page 4/4

BRONZE BUTTERFLY VALVE Ref. A601MEØ

SERIES :

- A601

For material compatibility, contact us



CARACTERISTICS :

- PN16 / PN10 (Nominal Pressure)
- JUNCTION : ISO PN10/PN16 & ISO PN20 (ANSI CL150)
- MATERIAL : BRONZE CC491K

MAXIMUM CONDITIONS OF USE :

- 16 bar of -15°C to 100°C
- 10 bar of -15°C to 100°C (DN200 & DN250)

APPLICATIONS :

- Water-based fluids
- Water

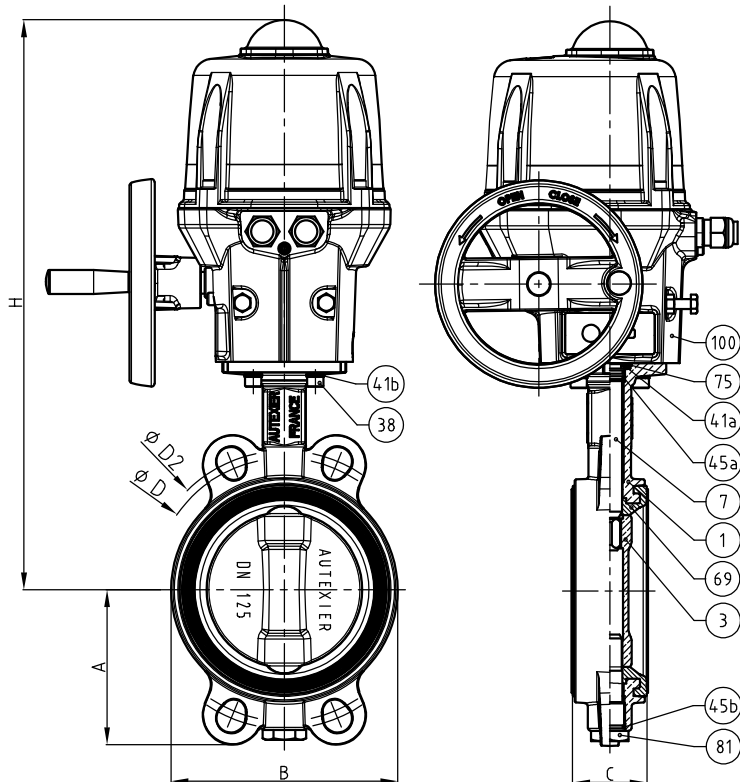
OPTIONS :

- EPDM, FPM or NBR Cuff
- Specific dimensions, contact us*



Subject to modifications

| NOMENCLATURE | | | |
|--------------|-----|---------------|---|
| Rep | Qty | Designation | Material |
| 1 | 1 | BODY | BRONZE |
| 3 | 1 | WEDGE DISC | BRONZE |
| 7 | 1 | STEM | ALUMINIUM BRONZE |
| 38 | 4 | SCREW | STAINLESS STEEL A4-70 |
| 41a | 1 | WASHER | ALUMINIUM BRONZE |
| 41b | 4 | WASHER | STAINLESS STEEL A4 |
| 45a | 3 | O-RING | FPM |
| 45b | 3 | O-RING | FPM |
| 69 | 1 | CUFF | EPDM / FPM / NBR |
| 75 | 1 | HOUSING RINGS | STAINLESS STEEL A4 |
| 81 | 1 | AXIS | ALUMINIUM BRONZE |
| 100 | 1 | ACTUATOR | ALUMINUM + EPOXY PAINT PA6 UL 94 V-0 STEEL + Zn / STAINLESS STEEL |



REFERENCES NORMS :

- Material : NF EN 1982 - NF EN 12163 - NF EN 12164 - NF EN 10272
- Testing & checking : NF EN 12266-1/-2 (bench test)
- Face to face : NF EN 558 - Series 20
- Shell design strength : NF EN 12516-3 V2003

Ref. instruction of assembling : 0904DA113E

Ref. instruction of operation : 0904DA114E

Mounting & assembly guides are available on our website.

| DIMENSIONS | | | | |
|----------------------|--------|-------|-------|-----|
| DN | 125 | 150 | 200 | 250 |
| A (mm) | 124 | 134 | 170 | 206 |
| B (mm) | 181 | 209 | 257 | 330 |
| C (mm) | 56 | 56 | 60 | 68 |
| D (mm) | 210 | 240 | 295 | 355 |
| D2 (mm) | 215.9 | 241.3 | 298.4 | 362 |
| H (mm) | 455 | 467 | 503 | 562 |
| Base ISO | F07 | F07 | F07 | F10 |
| Maximum torque (N.m) | 85 | 110 | 140 | 270 |
| Weight (Kg) | 14.520 | -- | -- | -- |

These data are for information and can be modified without notice. It is not up to us to appreciate specifications. It is up to the customer to verify the adequacy between the equipment chosen and the real conditions of use.