



AUTEXIER

MANUFACTURER OF INDUSTRIAL VALVES

93 Rue Louis Blanc - 02300 CHAUNY - FRANCE
Phone : +33 (0)3 23 52 02 86 Fax : +33 (0)3 23 39 52 28
Website : www.autexier.fr

Ref. A601 Family : 47

Rev. 11

Date : 24 Sept. 2024

Page 1/3

BRONZE BUTTERFLY VALVE Ref. A601.Ø

SERIES :

- A601

For material compatibility, contact us



CARACTERISTICS :

- PN16 (Nominal Pressure)
- JUNCTION : ISO PN10/PN16 & ISO PN20 (ANSI CL150)
- MATERIAL : BRONZE CC491K

MAXIMUM CONDITIONS OF USE :

- 16 bar of -15°C to 100°C

APPLICATIONS :

- Water-based fluids
- Water

OPTIONS :

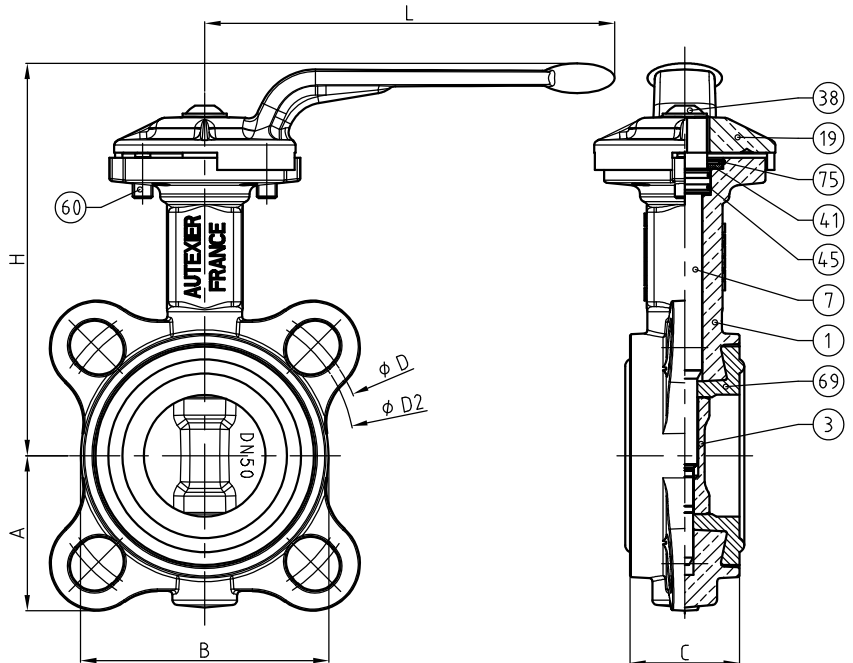
- EPDM, FPM or NBR Cuff
- Gearbox (A601MØ)

Specific dimensions, contact us



Subject to modifications

NOMENCLATURE			
Rep	Qty	Designation	Material
1	1	BODY	BRONZE
3	1	WEDGE DISC	BRONZE
7	1	STEM	ALUMINIUM BRONZE
19	1	HANDLE	BRONZE
38	1	SCREW	STAINLESS STEEL A4-70
41	1	WASHER	ALUMINIUM BRONZE
45	2	O-RING	FPM
60	2	SPRING PLUNGERS	STAINLESS STEEL A1
69	1	CUFF	EPDM / FPM / NBR
75	1	HOUSING RINGS	STAINLESS STEEL A4



REFERENCES NORMS :

- Material : NF EN 1982 - NF EN 12163 - NF EN 12164 - NF EN 10272
- Testing & checking : NF EN 12266-1/-2 (bench test)
- Face to face : NF EN 558 - Series 20
- Shell design strength : NF EN 12516-3 V2003

Ref. instruction of assembling : 0904DA113E

Ref. instruction of operation : 0904DA114E

Mounting & assembly guides are available on our website.

DIMENSIONS				
DN	32	40	50	65
A (mm)	54	58	52	69
B (mm)	73	80	100	112
C (mm)	33	33	43	46
D (mm)	100	110	125	145
D2 (mm)	88.9	98.4	120.6	139.7
H (mm)	144	147	157	172
L (mm)	165	165	165	165
Base ISO	F05	F05	F05	F05
Maximum torque (N.m)	12	15	17	25
Weight (Kg)	--	--	3.956	--

These data are for information and can be modified without notice. It is not up to us to appreciate specifications. It is up to the customer to verify the adequacy between the equipment chosen and the real conditions of use.



AUTEXIER

MANUFACTURER OF INDUSTRIAL VALVES

93 Rue Louis Blanc - 02300 CHAUNY - FRANCE
 Phone : +33 (0)3 23 52 02 86 Fax : +33 (0)3 23 39 52 28
 Website : www.autexier.fr

Ref. A601 Family : 47

Rev. 11

Date : 24 Sept. 2024

Page 2/3

BRONZE BUTTERFLY VALVE

Ref. A601.Ø

SERIES :

- A601

For material compatibility, contact us



CHARACTERISTICS :

- PN16 (Nominal Pressure)
- JUNCTION : ISO PN10/PN16 & ISO PN20 (ANSI CL150)
- MATERIAL : BRONZE CC491K

MAXIMUM CONDITIONS OF USE :

- 16 bar of -15°C to 100°C

APPLICATIONS :

- Water-based fluids
- Water

OPTIONS :

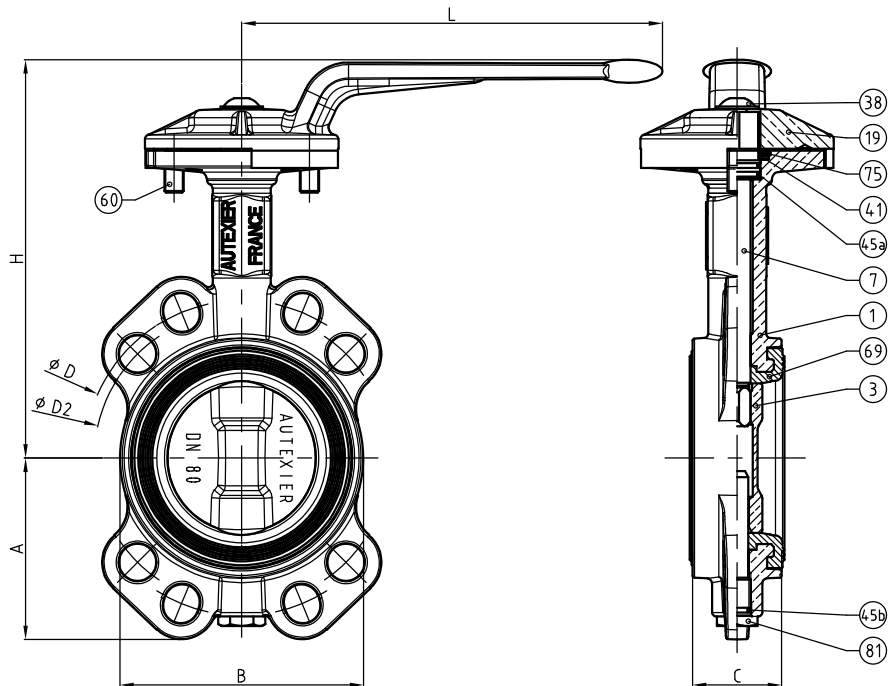
- EPDM, FPM or NBR Cuff
- Gearbox (A601MØ)

Specific dimensions, contact us



*Subject to modifications
Photo for information only*

NOMENCLATURE			
Rep	Qty	Designation	Material
1	1	BODY	BRONZE
3	1	WEDGE DISC	BRONZE
7	1	STEM	ALUMINIUM BRONZE
19	1	HANDLE	BRONZE
38	1	SCREW	STAINLESS STEEL A4-70
41	1	WASHER	ALUMINIUM BRONZE
45a	2	O-RING	FPM
45b	1	O-RING	FPM
60	2	SPRING PLUNGERS	STAINLESS STEEL A1
69	1	CUFF	EPDM / FPM / NBR
75	1	HOUSING RINGS	STAINLESS STEEL A4
81	1	AXIS	ALUMINIUM BRONZE



DIMENSIONS	
DN	80
A (mm)	94
B (mm)	126
C (mm)	46
D (mm)	160
D2 (mm)	152.4
H (mm)	205
L (mm)	218
Base ISO	F07
Maximum torque (N.m)	28
Weight (Kg)	--

REFERENCES NORMS :

- Material : NF EN 1982 - NF EN 12163 - NF EN 12164 - NF EN 10272
- Testing & checking : NF EN 12266-1/-2 (bench test)
- Face to face : NF EN 558 - Series 20
- Shell design strength : NF EN 12516-3 V2003

Ref. instruction of assembling : 0904DA113E

Ref. instruction of operation : 0904DA114E

Mounting & assembly guides are available on our website.

These data are for information and can be modified without notice. It is not up to us to appreciate specifications. It is up to the customer to verify the adequacy between the equipment chosen and the real conditions of use.



AUTEXIER

MANUFACTURER OF INDUSTRIAL VALVES

93 Rue Louis Blanc - 02300 CHAUNY - FRANCE
Phone : +33 (0)3 23 52 02 86 Fax : +33 (0)3 23 39 52 28
Website : www.autexier.fr

Ref. A601 Family : 47

Rev. 11

Date : 24 Sept. 2024

Page 3/3

BRONZE BUTTERFLY VALVE

Ref. A601.Ø

SERIES :

- A601

For material compatibility, contact us



CHARACTERISTICS :

- PN16 (Nominal Pressure)
- JUNCTION : ISO PN10/PN16 & ISO PN20 (ANSI CL150)
- MATERIAL : BRONZE CC491K

MAXIMUM CONDITIONS OF USE :

- 16 bar of -15°C to 100°C

APPLICATIONS :

- Water-based fluids
- Water

OPTIONS :

- EPDM, FPM or NBR Cuff
- Gearbox (A601MØ)

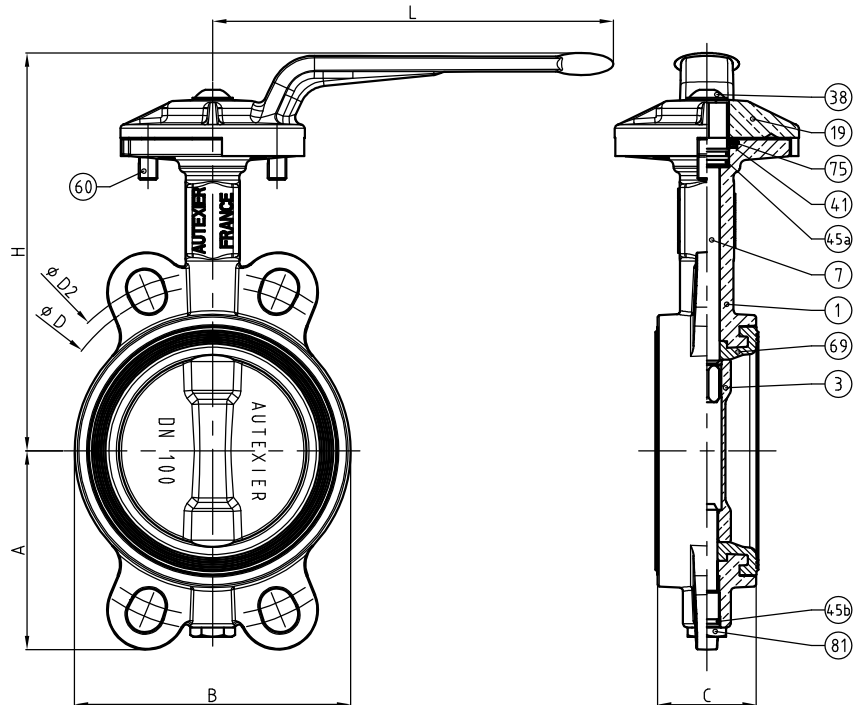
Specific dimensions, contact us



Subject to modifications
Photo for information only

NOMENCLATURE

Rep	Qty	Designation	Material
1	1	BODY	BRONZE
3	1	WEDGE DISC	BRONZE
7	1	STEM	ALUMINIUM BRONZE
19	1	HANDLE	BRONZE
38	1	SCREW	STAINLESS STEEL A4-70
41	1	WASHER	ALUMINIUM BRONZE
45a	2	O-RING	FPM
45b	1	O-RING	FPM
60	2	SPRING PLUNGERS	STAINLESS STEEL A1
69	1	CUFF	EPDM / FPM / NBR
75	1	HOUSING RINGS	STAINLESS STEEL A4
81	1	AXIS	ALUMINIUM BRONZE



DIMENSIONS

DN	100
A (mm)	108
B (mm)	150
C (mm)	52
D (mm)	180
D2 (mm)	190.5
H (mm)	216
L (mm)	218
Base ISO	F07
Maximum torque (N.m)	50
Weight (Kg)	6.640

REFERENCES NORMS :

- Material : NF EN 1982 - NF EN 12163 - NF EN 12164 - NF EN 10272
- Testing & checking : NF EN 12266-1/-2 (bench test)
- Face to face : NF EN 558 - Series 20
- Shell design strength : NF EN 12516-3 V2003

Ref. instruction of assembling : 0904DA113E

Ref. instruction of operation : 0904DA114E

Mounting & assembly guides are available on our website.

These data are for information and can be modified without notice. It is not up to us to appreciate specifications. It is up to the customer to verify the adequacy between the equipment chosen and the real conditions of use.