



AUTEXIER

MANUFACTURER OF INDUSTRIAL VALVES

93 Rue Louis Blanc - 02300 CHAUNY - FRANCE
 Phone : +33 (0)3 23 52 02 86 Fax : +33 (0)3 23 39 52 28
 Website : www.autexier.fr

Ref. AUB Family : 40

Rev. 03

Date : 14 March 2024

Page 1/1

ALUMINIUM BRONZE FEMALE THREADED FLANGE

Ref. AUBØ.Ø

SERIES :

- AUB
 - Standard drilling : ISO PN 10/16
- For material compatibility, contact us*

CHARACTERISTICS :

- PN20 (Nominal Pressure)
- ENDS : BSP Female thread
- MATERIAL : ALUMINIUM BRONZE CC333G

MAXIMUM CONDITIONS OF USE :

- 20 bar of -10°C to 250°C

APPLICATIONS :

- Water-based fluids
- Steam (8 bar)
- Seawater

OPTIONS :

- Special drilling on demand
 - Smooth finish ends
 - Socket welding
- Specific dimensions, contact us*



Subject to modifications

NOMENCLATURE			
Rep	Qty	Designation	Material
54	1	FLANGE	ALUMINIUM BRONZE

DIMENSIONS												
DN	15	20	25	32	40	50	65	80	100	125	150	200
A (mm)	17	20	21	24	24	29.5	33	36	42	44	44	-
B (mm)	28	37	43	51	56	70	88	106	135	164	188	-
C	1/2"	3/4"	1"	1"1/4	1"1/2	2"	2"1/2	3"	4"	5"	6"	8"
D (mm)	95	105	115	140	150	165	185	200	220	250	285	340
E (mm)	12	12	12	14	14	16	16	18	20	20	22	22
F (mm)	2	2	3	3	3	3	3	3	3	3	3	-
G (mm)	21.5	27	34	42.5	48.5	60.5	76	88.5	114	139	169	-
K (mm)	65	75	85	100	110	125	145	160	180	210	240	295
L (mm)	14	14	14	18	18	18	18	18	18	18	22	22
Weight (Kg)	0.540	0.800	0.950	1.470	1.800	2.320	2.940	3.560	-	-	-	-

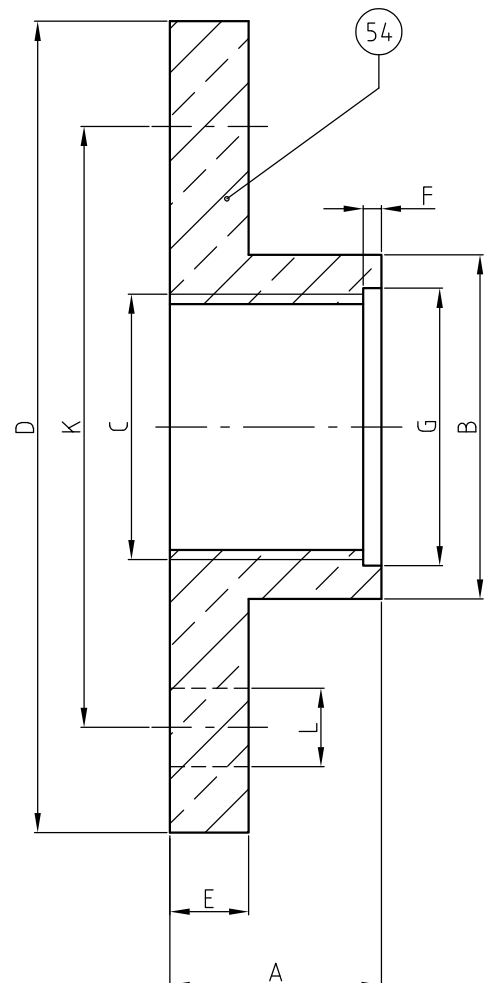
REFERENCES NORMS :

- Material : NF EN 1982 - NF EN 12163 - NF EN 12164 - NF EN 10272
- Testing & checking : NF EN 12266-1/-2 (bench test)
- Flange : NF EN 1092-3

Ref. instruction of assembling :

Ref. instruction of operation :

Mounting & assembly guides are available on our website.



These data are for information and can be modified without notice. It is not up to us to appreciate specifications. It is up to the customer to verify the adequacy between the equipment chosen and the real conditions of use.