



AUTEXIER

MANUFACTURER OF INDUSTRIAL VALVES

93 Rue Louis Blanc - 02300 CHAUNY - FRANCE
 Phone : +33 (0)3 23 52 02 86 Fax : +33 (0)3 23 39 52 28
 Website : www.autexier.fr

Ref. 276 Family : 22

Rev. 04

Date : 20 Dec. 2023

Page 1/1

BRONZE VISUAL LEVEL CONTROLLER - SUPERIOR PART

Ref. 276PSØ

SERIES :

- 276PS
- With flange
- PS = Superior Part

For material compatibility, contact us



CHARACTERISTICS :

- PN16 (Nominal Pressure)
- ENDS : Flange ISO PN16
- MATERIAL : BRONZE CC491K

MAXIMUM CONDITIONS OF USE :

- 16 bar of -20°C to 200°C

APPLICATIONS :

- Water-based fluids
- Oil & gas
- Steam (6 bar)

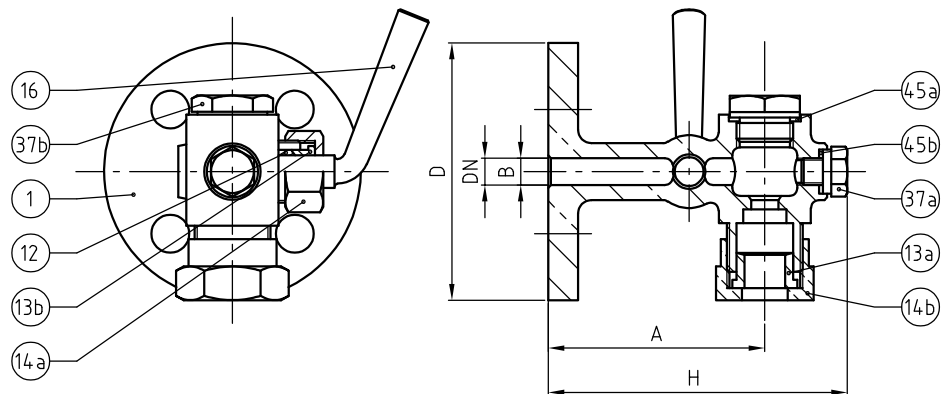
OPTIONS :

- Tap drain valve (T°<90°C) - Ref. C519.Ø
- Tap drain valve (T°>90°C) - Ref. 255.Ø
- Tube length - 0.2 to 4 meter
- Intermediate connection - Ref. 277
- Pyrex® or rhodoïd tube
- Glass protection
- Tightness packing special oil & gas
- Extra cost packing
 (PTFE - Ref.CBT / Graphite - Ref.CBL / Rubber - Ref.CBC / FPM - Ref.CBV)

Specific dimensions, contact us



Subject to modifications



DIMENSIONS			
DN	15	20	25
A (mm)	80	95	130
B (mm)	10	15	20
D (mm)	95	105	115
H (mm)	110	130	170
Weight (Kg)	1.350	1.900	3.350

NOMENCLATURE			
Rep	Qty	Designation	Material
1	1	BODY	BRONZE
12	1	PACKING	GRAPHITE + FIBER
13a	1	PACKING GLAND	BRASS / BRONZE (DN25)
13b	1	PACKING GLAND	BRASS
14a	1	PACKING NUT	BRONZE
14b	1	PACKING NUT	BRASS / BRONZE (DN25)
16	1	CONICAL PLUG	BRONZE
37a	1	PLUG	BRASS
37b	1	PLUG	BRASS / BRONZE (DN25)
45a	1	GASKET	PTFE
45b	1	GASKET	PTFE

REFERENCES NORMS :

- Material : NF EN 1982 - NF EN 12163 - NF EN 12164 - NF EN 10272
- Testing & checking : NF EN 12266-1/-2 (bench test)

Ref. instruction of assembling : 0904DA140E

Ref. instruction of operation : 0904DA141E

Mounting & assembly guides are available on our website.

These data are for information and can be modified without notice. It is not up to us to appreciate specifications. It is up to the customer to verify the adequacy between the equipment chosen and the real conditions of use.