



AUTEXIER

MANUFACTURER OF INDUSTRIAL VALVES

93 Rue Louis Blanc - 02300 CHAUNY - FRANCE
 Phone : +33 (0)3 23 52 02 86 Fax : +33 (0)3 23 39 52 28
 Website : www.autexier.fr

Ref. AU105 Family : 18

Rev. 01

Date : 06 Sept. 2023

Page 1/1

VERTICAL LIFT CHECK VALVE WITH FLANGES

Ref. AU105CØ / AU105TØ

SERIES :

- AU105C : Contact Aluminium Bronze / Aluminium Bronze
- AU105T : Contact Aluminium Bronze / PTFE
- Union bonnet

For material compatibility, contact us

CARACTERISTICS :

- PN30 (Nominal Pressure)
- ENDS : ISO PN16 flanges
- MATERIAL : ALUMINIUM BRONZE CC333G

MAXIMUM CONDITIONS OF USE :

- 30 bar of -10°C to 200°C

APPLICATIONS :

- Water-based fluids
- Seawater

OPTIONS :

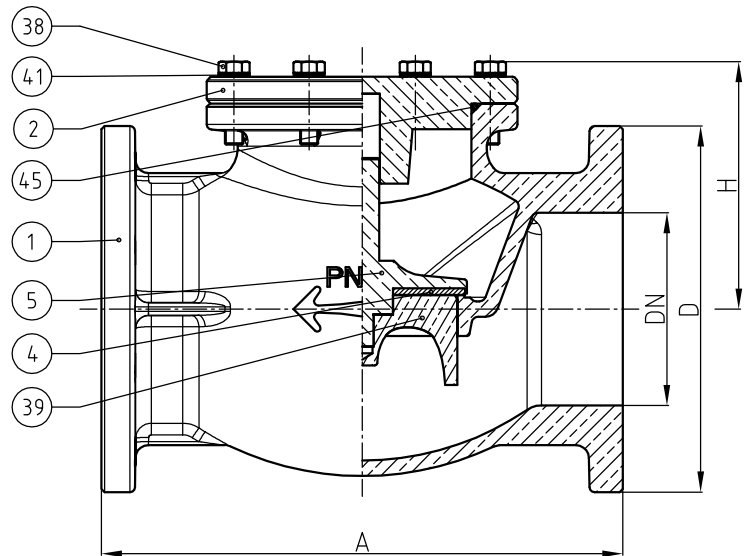
- Special drilling
- ASA 150 flanges (PN20)
- Stainless steel springloaded

Specific dimensions, contact us



Subject to modifications

NOMENCLATURE			
Rep	Qty	Designation	Material
1	1	BODY	ALUMINIUM BRONZE
2	1	BONNET	ALUMINIUM BRONZE
4	1	DISC	ALU. BRONZE / PTFE
5	1	DISC HOLDER	ALUMINIUM BRONZE
38	n	SCREW	STAINLESS STEEL
39	1	FIN	ALUMINIUM BRONZE
41	8	WASHER	STAINLESS STEEL
45	1	O-RING	FPM



REFERENCES NORMS :

- Material : NF EN 1982 - NF EN 12163 - NF EN 12164 - NF EN 10272
- Testing & checking : NF EN 12266-1/-2 (bench test)
- Face to face : NF EN 558 - Series 7
- Flanges : NF EN 1092-3

Ref. instruction of assembling : 0904DA109E

Ref. instruction of operation : 0904DA110E

Mounting & assembly guides are available on our website.

DIMENSIONS

DN	80	100	150	200
A (mm)	254	305	406	521
D (mm)	200	200	285	340
H (mm)	130	150	195	235
n	8	8	8	10

These data are for information and can be modified without notice. It is not up to us to appreciate specifications. It is up to the customer to verify the adequacy between the equipment chosen and the real conditions of use.