



# AUTEXIER

MANUFACTURER OF INDUSTRIAL VALVES

93 Rue Louis Blanc - 02300 CHAUNY - FRANCE  
 Phone : +33 (0)3 23 52 02 86 Fax : +33 (0)3 23 39 52 28  
 Website : www.autexier.fr

Ref. 181/281/381 Family : 27

Rev. 03

Date : 18 Sept. 2023

Page 1/1

## BRONZE SAFETY VALVE Ref. 181.ØC / 281.ØC / 381.ØC WITH CAP

**SERIES :**

- 181C : Metal Disc
- 281C : PTFE Disc
- 381C : FPM Disc
- Male inlet / Female outlet

*For material compatibility, contact us*

**CARACTERISTICS :**

- PN40 (Nominal Pressure)
- ENDS : BSP threads
- MATERIAL : BRONZE CC491K

**MAXIMUM CONDITIONS OF USE :**

- Ref. 181C : 40 bar of -50°C to 225°C
- Ref. 281C : 40 bar of -50°C to 225°C
- Ref. 381C : 40 bar of -15°C to 200°C

**APPLICATIONS :**

- Hot water & industrial fluids
- Water-based fluids
- Low pressure steam (8bar)
- Neutral gases (compressed air, ...)

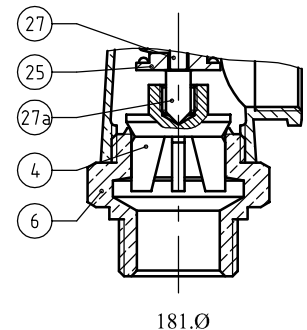
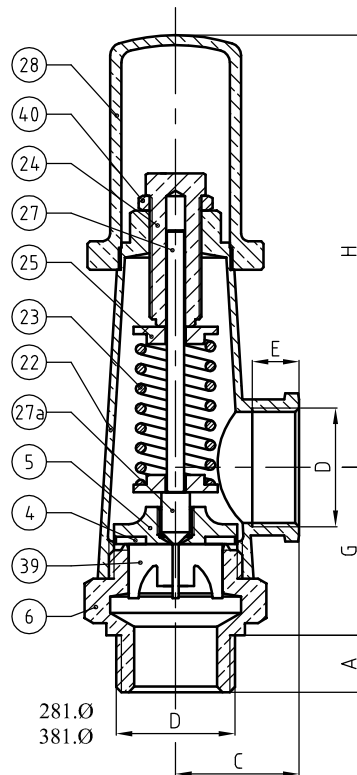
**OPTIONS :**

- NPT connection
- Flange connection
- Degreased disc / seat

*Specific dimensions, contact us*



*Subject to modifications*



NOMENCLATURE			
Rep	Qty	Designation	Material
4	1	DISC	181C:BRONZE/281C:PTFE/381C:FPM
5	1	DISC HOLDER	BRONZE
6	1	SEAT	BRONZE
22	1	LANTERN	BRONZE
23	1	SPRING	STEEL
24	1	ADJUSTING SCREW	BRASS
25	2	CARRIER	BRASS; BRONZE (281 & 381 DN65 to 80)
27	1	NEEDLE	BRASS
27a	1	TIP NEEDLE	BRASS
39	1	FIN	BRONZE
40	1	NUT	BRASS

**REFERENCES NORMS :**

- Material : NF EN 1982 - NF EN 12163 - NF EN 12164 - NF EN 10272
- Testing & checking : NF EN 12266-1/-2 (bench test)

Ref. instruction of assembling : 0904DA091E

Ref. instruction of operation : 0904DA155E

**Mounting & assembly guides are available on our website.**

DIMENSIONS				
DN	40	50	65	80
A (mm)	23	27	32	34
C (mm)	50	55	67	80
D	1"1/2	2"	2"1/2	3"
E (mm)	19	21	28	32
G (mm)	68	81	93	109
H (mm)	181	204	231	261
Weight (Kg) Ref.181	2.860	4.059	6.469	10.567
Weight (Kg) Ref.281	2.877	4.000	5.834	10.037
Weight (Kg) Ref.381	2.827	3.844	6.500	9.927
S Inlet (mm²)	881.1	1385.4	1963	3216.9
S Outlet (mm²)	1578.7	2521	4095	5661

*These data are for information and can be modified without notice. It is not up to us to appreciate specifications. It is up to the customer to verify the adequacy between the equipment chosen and the real conditions of use.*