



# AUTEXIER

MANUFACTURER OF INDUSTRIAL VALVES

93 Rue Louis Blanc - 02300 CHAUNY - FRANCE  
 Phone: +33 (0)3 23 52 02 86 Fax : +33 (0)3 23 39 52 28  
 Website : www.autexier.fr

Ref. 181-281-381 Family : 27

Rev. 12

Date : 18 Sept. 2023

Page 1/1

## BRONZE SAFETY VALVE

Ref. 181.Ø / 281.Ø / 381.Ø / 381BPØ

### SERIES :

- 181 : Metal Disc
- 281 : PTFE Disc
- 381 : FPM Disc
- 381BP : Silicone Disc (low pressure)
- Male inlet / Female outlet

For material compatibility, contact us

### CARACTERISTICS :

- PN40 (Nominal Pressure)
- ENDS : GAZ threads
- MATERIAL : BRONZE CC491K

### MAXIMUM CONDITIONS OF USE :

- Ref. 181 : 40 bar of -50°C to 225°C
- Ref. 281 : 40 bar of -50°C to 225°C
- Ref. 381 : 40 bar of -15°C to 200°C
- Ref. 381BP : 40 bar of -50°C to 200°C

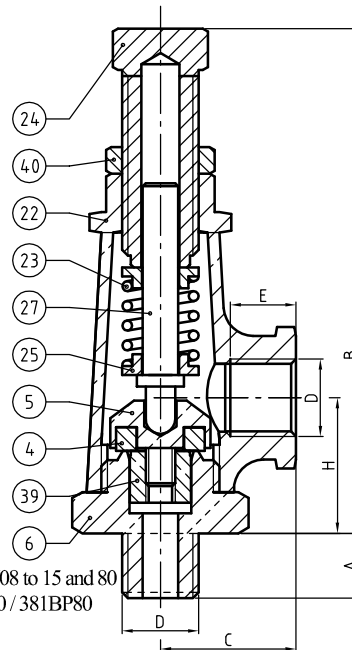
### APPLICATIONS :

- Hot water & industrial fluids
- Water-based fluids
- Low pressure steam (8bar)
- Neutral gases (compressed air, ...)

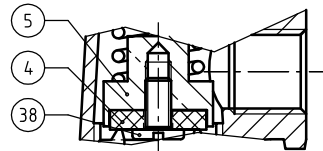
### OPTIONS :

- NPT connection
- Flange connection
- Degreased disc / seat
- Bonnet tightness

Specific dimensions, contact us

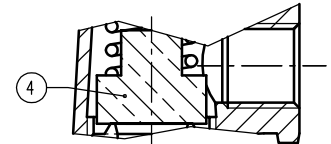


281 : DN08 to 15 and 80  
381.80 / 381BP80

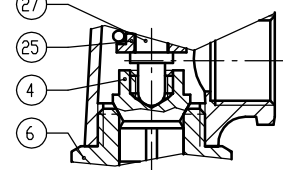


381 / 381BP: DN08 to 25

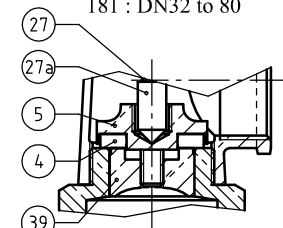
Subject to modifications



181 : DN08 to 25



181 : DN32 to 80



281 : DN20 to 65  
381 / 381BP : DN32 to 65

### NOMENCLATURE

Rep	Qty	Designation	Material
4	1	DISC	181:BRONZE / 281:PTFE 381:FPM / 381BP:Silicone
5	1	DISC HOLDER	BRASS/BRONZE(DN32 to 80)
6	1	SEAT	BRASS(DN08 & 12)/BRONZE
22	1	LANTERN	BRONZE
23	1	SPRING	STAINLESS STEEL
24	1	ADJUSTING SCREW	BRASS
25	1 / 2	CARRIER	BRASS/BRONZE(281 & 381 DN65 to 80)
27	1	NEEDLE	BRASS
27a	1	TIP NEEDLE	BRASS(381 DN32 to 65)
38	1	SCREW (380 DN08 to 25)	STAINLESS STEEL
39	1	FIN	BRONZE
40	1	NUT	BRASS

### REFERENCES NORMS :

- Material : NF EN 1982 - NF EN 12163 - NF EN 12164 - NF EN 10272
- Testing & checking : NF EN 12266-1/-2 (bench test)

Ref. instruction of assembling : 0904DA091E

Ref. instruction of operation : 0904DA155E

**Mounting & assembly guides are available on our website.**

### DIMENSIONS

DN	08	12	15	20	25	32	40	50	65	80
A (mm)	11	11	15	19	21	22	23	27	32	34
B Maxi (mm)	91	92	118	138	152	192	212	255	275	326
C (mm)	23	23	28	34	36	42	50	55	67	80
D	1/4	3/8	1/2	3/4	1	1 1/4	1 1/2	2"	2 1/2"	3"
E (mm)	12	12	14	17	17	18	19	21	28	32
H (mm)	23	23	37	47	56	60	68	81	93	109
Weight (kg) Ref.181	0.216	0.218	0.375	0.680	1.000	1.477	2.133	3.365	5.760	9.840
Weight (kg) Ref.281	0.230	0.199	0.372	0.671	0.990	1.457	2.150	3.310	5.125	9.310
Weight (kg) Ref.381	0.209	0.208	0.385	0.675	1.065	1.450	2.100	3.150	5.800	9.200
S Inlet (mm²)	28.3	50.2	78.5	226.9	346.4	660.5	881.1	1385.4	1963	3216.9
S Outlet (mm²)	102.8	175.5	272.6	456.8	720.6	1191.6	1578.7	2521	4095	5661

These data are for information and can be modified without notice. It is not up to us to appreciate specifications. It is up to the customer to verify the adequacy between the equipment chosen and the real conditions of use.