



AUTEXIER

MANUFACTURER OF INDUSTRIAL VALVES

93 Rue Louis Blanc - 02300 CHAUNY - FRANCE
Phone : +33 (0)3 23 52 02 86 Fax : +33 (0)3 23 39 52 28
Website : www.autexier.fr

Ref. UA3250 Family : 42

Rev. 00

Date : 13 July 2023

Page 1/1

ALUMINIUM BRONZE

EQUAL TEE

Ref. UA3250.Ø

SERIES :

- UA3250

For material compatibility, contact us

CARACTERISTICS :

- PN40 (Nominal Pressure)

- ENDS : Female BSP threaded

- MATERIAL : ALUMINIUM BRONZE CC333G

MAXIMUM CONDITIONS OF USE :

- 40 bar of -10°C to 225°C

APPLICATIONS :

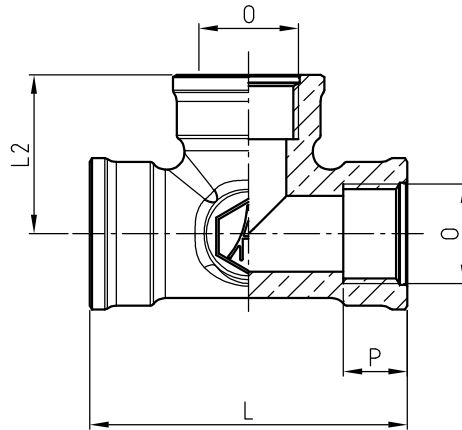
- Water-based fluids

- Water

- Seawater



Subject to modifications



DIMENSIONS						
Reference	DN	L (mm)	L2 (mm)	O	P (mm)	Weight (Kg)
UA3250.08	08	42	21	G 1/4"	8.5	0.670
UA3250.12	12	40	20	G 3/8"	11	--
UA3250.15	15	46	23	G 1/2"	12	--
UA3250.20	20	54	27	G 3/4"	14	--
UA3250.25	25	70	35	G 1"1/4	16	--
UA3250.32	32	82	41	G 1"1/4	20	--
UA3250.40	40	92	46	G 1"1/2	22	--
UA3250.50	50	112	56	G 2"	24	--

REFERENCES NORMS :

- Material : NF EN 1982 - NF EN 12163 - NF EN 12164 - NF EN 10272

- Testing & checking : NF EN 12266-1/-2 (bench test)

Ref. instruction of assembling :

Ref. instruction of operation :

Mounting & assembly guides are available on our website.

These data are for information and can be modified without notice. It is not up to us to appreciate specifications. It is up to the customer to verify the adequacy between the equipment chosen and the real conditions of use.