



# AUTEXIER

MANUFACTURER OF INDUSTRIAL VALVES

93 Rue Louis Blanc - 02300 CHAUNY - FRANCE  
 Phone : +33 (0)3 23 52 02 86 Fax : +33 (0)3 23 39 52 28  
 Website : www.autexier.fr

Ref. AUR4 Family : 40

Rev. 00

Date : 12 April 2023

Page 1/1

## DSP FITTING WITH ALUMINIUM BRONZE FLANGE

### Ref. AUR4.65V

**SERIES :**

- AUR4

*For material compatibility, contact us*

**CARACTERISTICS :**

- PN16 (Nominal Pressure)
- ENDS : ISO PN16 Flange / DSP fitting with lock
- MATERIAL : ALUMINIUM BRONZE CC333G

**MAXIMUM CONDITIONS OF USE :**

- 16 bar of -10°C to 100°C

**APPLICATIONS :**

- Water-based fluids
- Steam (8 bar)
- Seawater

**OPTIONS :**

- Special drilling

*Specific dimensions, contact us*



*Subject to modifications  
 Photo for information only*

DIMENSIONS	
DN	65
A (mm)	144
B (mm)	45
C (mm)	145
D (mm)	185

NOMENCLATURE			
Rep	Qty	Designation	Material
37	1	PLUG	BRONZE / BRASS
45	1	BLACK GASKET	NBR
54	1	FEMALE THEADED FLANGE	ALUMINIUM BRONZE
68	1	CHAIN	STAINLESS STEEL
69	1	MALE FITTING	BRONZE

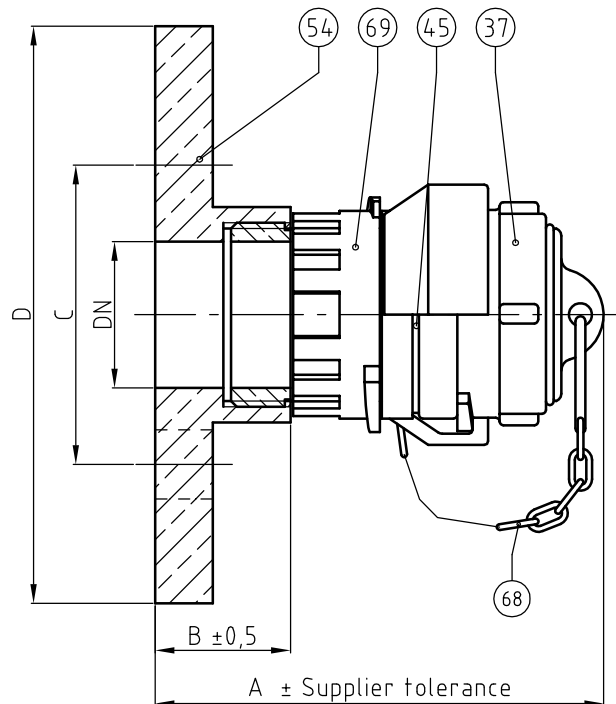
**REFERENCES NORMS :**

- Material : NF EN 1982 - NF EN 12163 - NF EN 12164 - NF EN 10272
- Testing & checking : NF EN 12266-1/-2 (bench test)
- Flange : NF EN 1092-3

Ref. instruction of assembling : -

Ref. instruction of operation : -

**Mounting & assembly guides are available on our website.**



*These data are for information and can be modified without notice. It is not up to us to appreciate specifications. It is up to the customer to verify the adequacy between the equipment chosen and the real conditions of use.*