



# AUTEXIER

MANUFACTURER OF INDUSTRIAL VALVES

93 Rue Louis Blanc - 02300 CHAUNY - FRANCE  
 Phone : +33 (0)3 23 52 02 86 Fax : +33 (0)3 23 39 52 28  
 Website : www.autexier.fr

Ref. AU593 Family : 09

Rev. 02

Date : 22 June 2023

Page 1/1

## ALUMINIUM-BRONZE DOUBLE WEDGE GATE VALVE WITH FLANGES

### Ref. AU593.300TC

**SERIES :**

- AU593
- Outside rising stem

*For material compatibility, contact us*

**CARACTERISTICS :**

- PN10 (Nominal Pressure)
- ENDS : Flanges ISO PN10
- MATERIAL : ALUMINIUM BRONZE CC333G

**MAXIMUM CONDITIONS OF USE :**

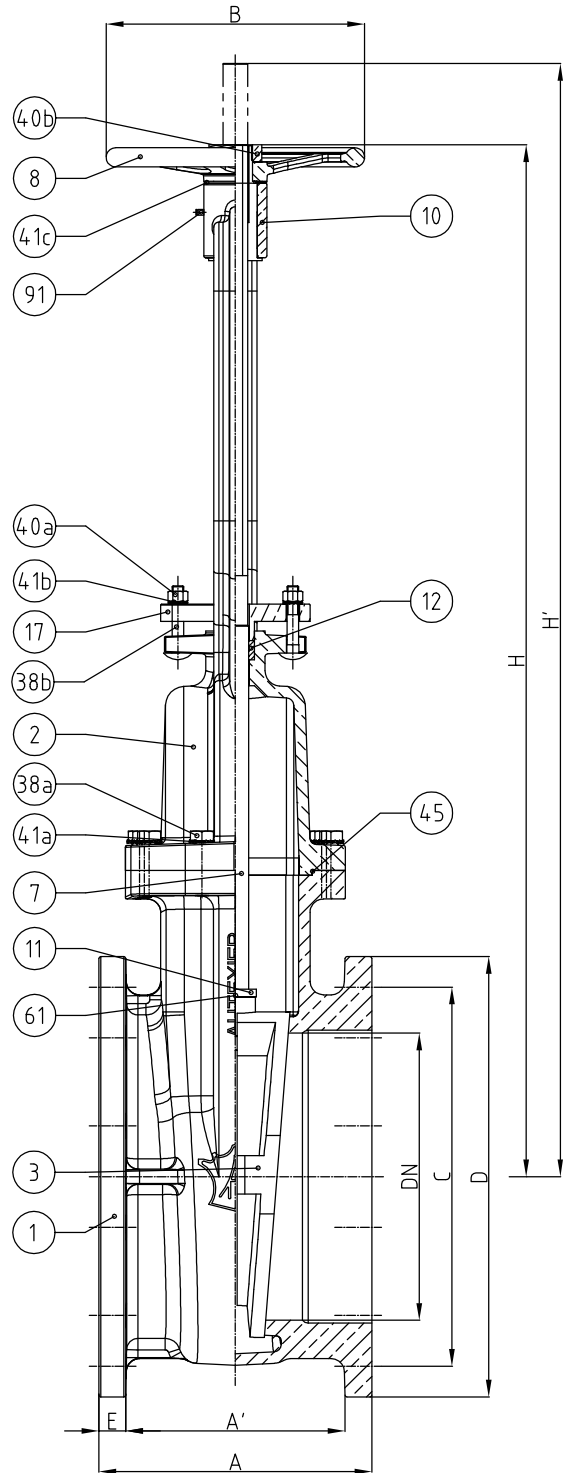
- 10 bar of -10°C to 200°C

**APPLICATIONS :**

- Seawater
- Water-based fluids
- Steam (8 bar)



*Subject to modifications*



NOMENCLATURE			
Rep	Qty	Designation	Material
1	1	BODY	ALUMINIUM BRONZE
2	1	BONNET	ALUMINIUM BRONZE
3	1	DOUBLE WEDGE DISC	ALUMINIUM BRONZE
7	1	STEM	ALUMINIUM BRONZE
8	1	HANDWHEEL	ALUMINIUM BRONZE
10	1	STEM NUT	ALUMINIUM BRONZE
11	1	WEDGE DISC NUT	ALUMINIUM BRONZE
12	1	PACKING	PTFE
17	1	PACKING GLAND FLANGE	ALUMINIUM BRONZE
38a	16	SCREW	ALUMINIUM BRONZE
38b	2	SCREW	ALUMINIUM BRONZE
40a	2	NUT	ALUMINIUM BRONZE
40b	1	NUT	ALUMINIUM BRONZE
41a	16	WASHER	ALUMINIUM BRONZE
41b	2	WASHER	ALUMINIUM BRONZE
41b	1	WASHER	ALUMINIUM BRONZE
45	1	O-RING	FPM
61	1	PIN	ALUMINIUM BRONZE
91	1	GREASER	BRASS

**REFERENCES NORMS :**

- Material : NF EN 1982 - NF EN 12163 - NF EN 12164 - NF EN 10272
- Testing & checking : NF EN 12266-1/-2 (bench test)
- Face to face : NF EN 558 - Series 29
- Flanges : NF EN 1092-3

Ref. instruction of assembling : 0904DA165E

Ref. instruction of operation : 0904DA166E

**Mounting & assembly guides are available on our website.**

DIMENSIONS									
DN	A (mm)	A' (mm)	B (mm)	C (mm)	D (mm)	E (mm)	H (mm)	H' (mm)	Weight (Kg)
300	285	230	280	400	445	28	1080	1395	175.00

*These data are for information and can be modified without notice. It is not up to us to appreciate specifications. It is up to the customer to verify the adequacy between the equipment chosen and the real conditions of use.*