



AUTEXIER

MANUFACTURER OF INDUSTRIAL VALVES

93 Rue Louis Blanc - 02300 CHAUNY - FRANCE
 Phone : +33 (0)3 23 52 02 86 Fax : +33 (0)3 23 39 52 28
 Website : www.autexier.fr

Ref. AU591 Family : 09

Rev. 02

Date : 19 June 2023

Page 1/1

ALUMINIUM-BRONZE DOUBLE WEDGE GATE VALVE WITH FLANGES

Ref. AU591.300

SERIES :

- AU591

For material compatibility, contact us

CARACTERISTICS :

- PN10 (Nominal Pressure)
- ENDS : ISO PN10 Flanges
- MATERIAL : ALUMINIUM BRONZE CC333G

MAXIMUM CONDITIONS OF USE :

- 10 bar of -10°C to 200°C

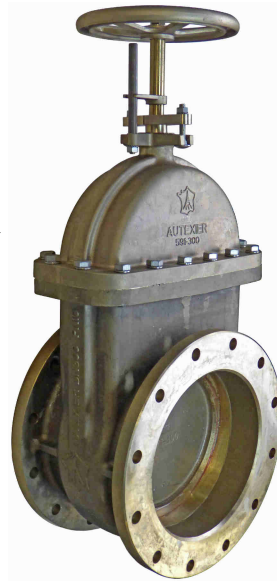
APPLICATIONS :

- Seawater
- Water-based fluids
- Steam (8 bar)

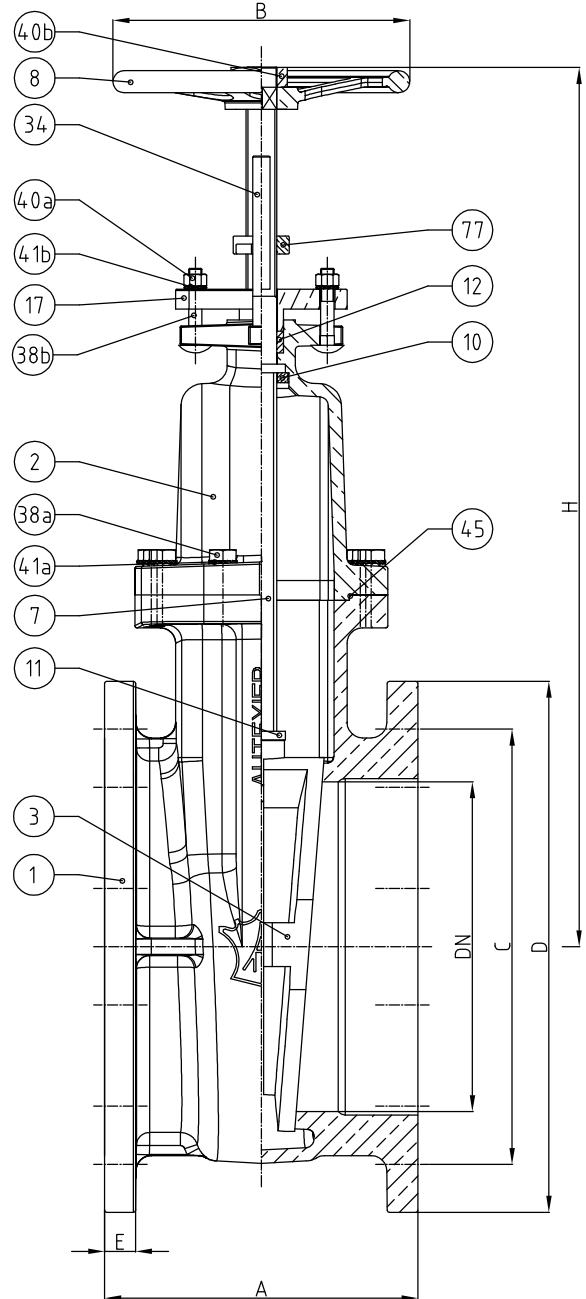
OPTIONS :

- ISO PN16 Flanges
- Special drilling
- Outside rising stem (Ref. AU593.300)

Specific dimensions, contact us



Subject to modifications



NOMENCLATURE

Rep	Qty	Designation	Material
1	1	BODY	ALUMINIUM BRONZE
2	1	BONNET	ALUMINIUM BRONZE
3	1	DOUBLE WEDGE DISC	ALUMINIUM BRONZE
7	1	STEM	ALUMINIUM BRONZE
8	1	HANDWHEEL	ALUMINIUM BRONZE
10	1	STEM NUT	ALUMINIUM BRONZE
11	1	WEDGE DISC NUT	ALUMINIUM BRONZE
12	1	PACKING	PTFE
17	1	PACKING GLAND FLANGE	ALUMINIUM BRONZE
34	1	GUIDE	ALUMINIUM BRONZE
38a	16	SCREW	STAINLESS STEEL A4
38b	2	SCREW	STAINLESS STEEL A4
40a	2	NUT	STAINLESS STEEL A4
40b	1	NUT	ALUMINIUM BRONZE
41a	16	WASHER	STAINLESS STEEL A4
41b	2	WASHER	STAINLESS STEEL A4
45	1	O-RING	FPM
77	1	TRAVEL INDICATOR	ALUMINIUM BRONZE

REFERENCES NORMS :

- Material : NF EN 1982 - NF EN 12163 - NF EN 12164 - NF EN 10272
- Testing & checking : NF EN 12266-1/-2 (bench test)
- Face to face : NF EN 558 - Series 29
- Flanges : NF EN 1092-3

Ref. instruction of assembling : 0904DA121E

Ref. instruction of operation : 0904DA087E

Mounting & assembly guides are available on our website.

DIMENSIONS

DN	A (mm)	B (mm)	C (mm)	D (mm)	E (mm)	H (mm)
300	285	270	400	445	28	760

These data are for information and can be modified without notice. It is not up to us to appreciate specifications. It is up to the customer to verify the adequacy between the equipment chosen and the real conditions of use.