



AUTEXIER

MANUFACTURER OF INDUSTRIAL VALVES

93 Rue Louis Blanc - 02300 CHAUNY - FRANCE
Phone : +33 (0)3 23 52 02 86 Fax : +33 (0)3 23 39 52 28
Website : www.autexier.fr

Ref. AUR1M Family : 40

Rev. 00

Date : 21 April 2023

Page 1/1

SYMMETRICAL FITTING WITH ALUMINIUM BRONZE FLANGE

Ref. AUR1M40L

SERIES :

- AUR1M
 - Integrated Guillemin coupling
- For material compatibility, contact us*

CARACTERISTICS :

- PN16 (Nominal Pressure)
- ENDS : ISO PN16 Flange / Guillemin symmetrical fitting
- MATERIAL : ALUMINIUM BRONZE CC333G

MAXIMUM CONDITIONS OF USE :

- 16 bar of -10°C to 100°C

APPLICATIONS :

- Water-based fluids
- Steam (8 bar)
- Seawater

OPTIONS :

- Special drilling
- Specific dimensions, contact us*



Subject to modifications

DIMENSIONS

DN	40
A1 (mm)	131
A2 (mm)	99
C (mm)	110
D (mm)	150

NOMENCLATURE

Rep	Qty	Designation	Material
1	1	BODY	ALUMINIUM BRONZE
37	1	PLUG	BRONZE / BRASS
45	1	GASKET	NBR
68	1	CHAIN	STAINLESS STEEL

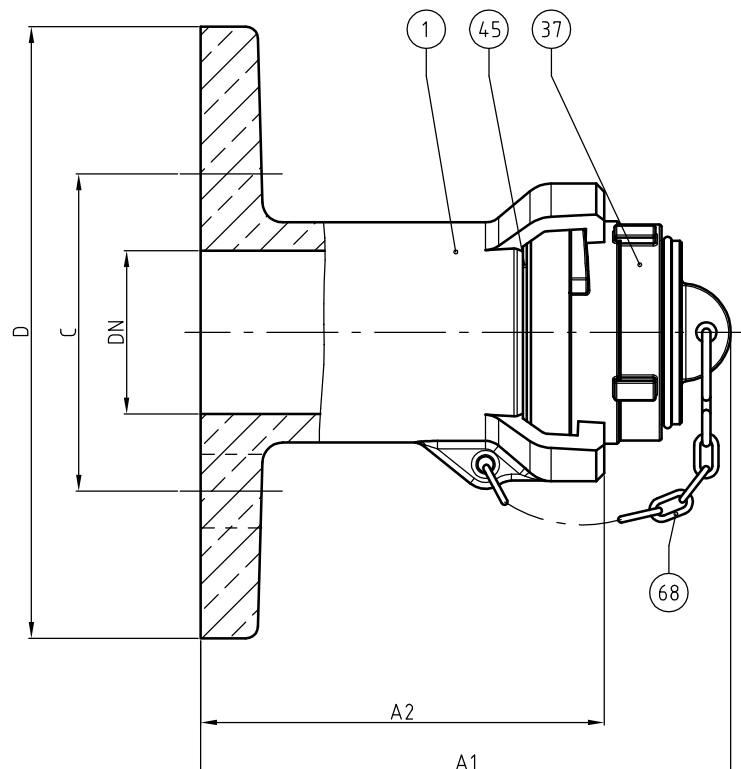
REFERENCES NORMS :

- Material : NF EN 1982 - NF EN 12163 - NF EN 12164 - NF EN 10272
- Testing & checking : NF EN 12266-1/-2 (bench test)
- Flange : NF EN 1092-3

Ref. instruction of assembling : -

Ref. instruction of operation : -

Mounting & assembly guides are available on our website.



These data are for information and can be modified without notice. It is not up to us to appreciate specifications. It is up to the customer to verify the adequacy between the equipment chosen and the real conditions of use.