



# AUTEXIER

MANUFACTURER OF INDUSTRIAL VALVES

93 Rue Louis Blanc - 02300 CHAUNY - FRANCE  
Phone : +33 (0)3 23 52 02 86 Fax : +33 (0)3 23 39 52 28  
Website : www.autexier.fr

Ref. AR1M Family : 40

Rev. 02

Date : 21 April 2023

Page 1/1

## SYMMETRICAL FITTING WITH BRONZE FLANGE Ref. AR1M40

### SERIES :

- AR1M
  - Integrated Guillemin coupling
- For material compatibility, contact us*

### CARACTERISTICS :

- PN16 (Nominal Pressure)
- ENDS : ISO PN16 Flange / Guillemin symmetrical fitting
- MATERIAL : BRONZE CC491K

### MAXIMUM CONDITIONS OF USE :

- 16 bar of -30°C to 100°C

### APPLICATIONS :

- Water-based fluids
- Steam (8 bar)
- Seawater

### OPTIONS :

- Special drilling
- Specific dimensions, contact us*



*Subject to modifications*

### DIMENSIONS

DN	40
A1 (mm)	110
A2 (mm)	78
C (mm)	110
D (mm)	150

### NOMENCLATURE

Rep	Qty	Designation	Material
1	1	BODY	BRONZE
37	1	PLUG	BRONZE / BRASS
45	1	GASKET	NBR
68	1	CHAIN	STAINLESS STEEL

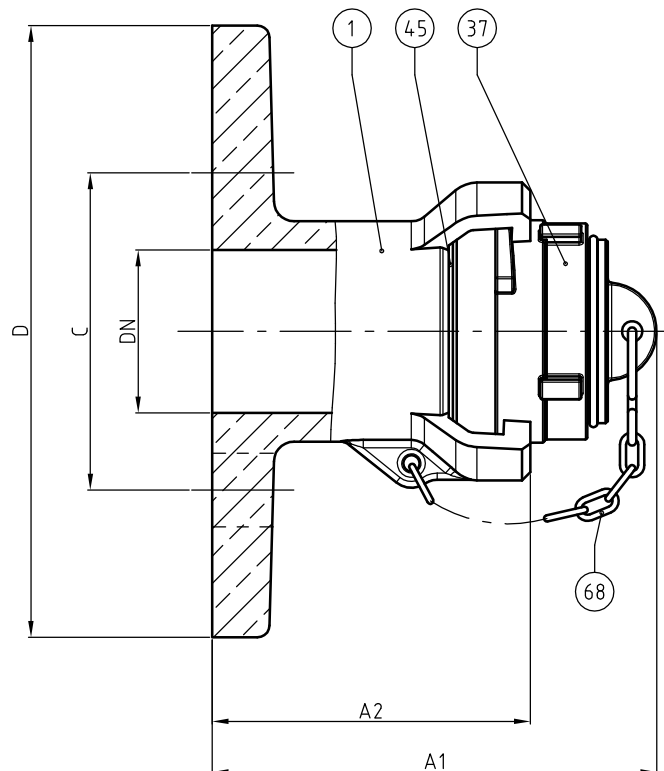
### REFERENCES NORMS :

- Material : NF EN 1982 - NF EN 12163 - NF EN 12164 - NF EN 10272
- Testing & checking : NF EN 12266-1/-2 (bench test)
- Flange : NF EN 1092-3

Ref. instruction of assembling : -

Ref. instruction of operation : -

**Mounting & assembly guides are available on our website.**



*These data are for information and can be modified without notice. It is not up to us to appreciate specifications. It is up to the customer to verify the adequacy between the equipment chosen and the real conditions of use.*