



AUTEXIER

MANUFACTURER OF INDUSTRIAL VALVES

93 Rue Louis Blanc - 02300 CHAUNY - FRANCE
 Phone : +33 (0)3 23 52 02 86 Fax : +33 (0)3 23 39 52 28
 Website : www.autexier.fr

Ref. 381 Family : 27

Rev. 00

Date : 06 April 2023

Page 1/1

BRONZE SAFETY VALVE WITH FLANGES

Ref. 581.Ø / 581MØ / 581TØ / 581BPØ

SERIES :

- 581M : Metal Disc
- 581T : PTFE Disc
- 581 : FPM Disc
- 581BP : Silicone Disc (low pressure)

For material compatibility, contact us

CARACTERISTICS :

- PN40 (Nominal Pressure)
- ENDS : ISO PN16 Flanges
- MATERIAL : BRONZE CC491K

MAXIMUM CONDITIONS OF USE :

- Ref. 581M: 40 bar of -50°C to 225°C
- Ref. 581T: 40 bar of -50°C to 225°C
- Ref. 581: 40 bar of -15°C to 200°C
- Ref. 581BP: 40 bar of -50°C to 220°C

APPLICATIONS :

- Hot water & industrial fluids
- Water-based fluids
- Low pressure steam (8bar)
- Neutral gases (compressed air, ...)

OPTIONS :

- Degreased disc / seat
- Bonnet tightness

Specific dimensions, contact us

NOMENCLATURE			
Rep	Qty	Designation	Material
4	1	DISC	581M:BRONZE / 581T:PTFE 581:FPM / 581BP:Silicone
5	1	DISC HOLDER	BRASS; BRONZE (DN32 to 80)
6	1	SEAT	BRONZE
22	1	LANTERN	BRONZE
23	1	SPRING	STEEL / STAINLESS STEEL
24	1	ADJUSTING SCREW	BRASS
25	1	CARRIER	BRASS / BRONZE (581T & 581 DN65 to 80)
27	1	NEEDLE	BRASS
27a	1	TIP NEEDLE	BRASS
38	1	SCREW	STAINLESS STEEL
39	1	FIN	BRONZE
40	1	NUT	BRASS
54	1	FEMALE THREADED FLANGE	BRONZE
55	1	MALE THREADED FLANGE	BRONZE

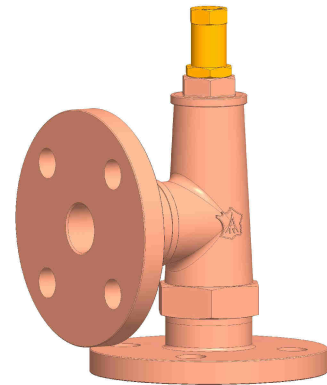
REFERENCES NORMS :

- Material : NF EN 1982 - NF EN 12163 - NF EN 12164 - NF EN 10272
- Testing & checking : NF EN 12266-1/-2 (bench test)
- Face-to-face : NF EN 558 - Series 22 (DN15 to DN40)
- Face-to-face : NF EN 558 - Series 23 (DN50 to DN80)
- Flanges : NF EN 1092-3

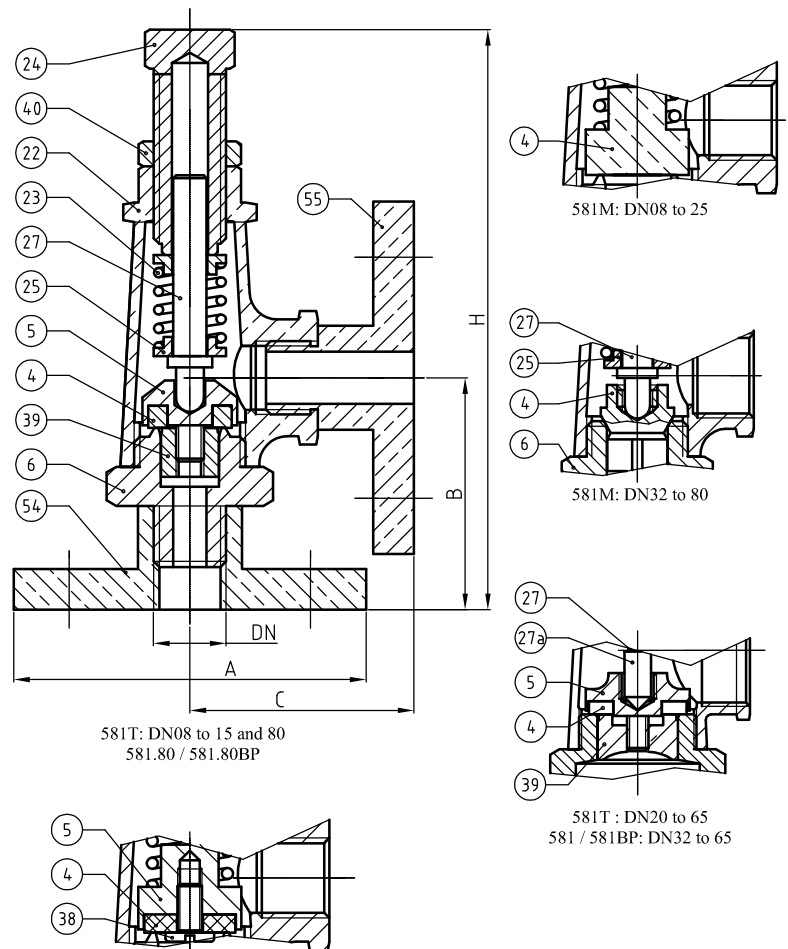
Ref. instruction of assembling : 0904DA091E

Ref. instruction of operation : 0904DA155E

Mounting & assembly guides are available on our website.



Subject to modifications



581.Ø / 581BPØ DN08 to 25

DIMENSIONS								
DN	15	20	25	32	40	50	65	80
A (mm)	95	105	115	140	150	165	185	200
B (mm)	65	70	80	90	95	115	125	135
C (mm)	65	70	80	90	95	115	125	135
H Maxi (mm)	145	154	183	225	237	293	321	347
Weight (Kg) Ref. 581	1.650	2.535	3.240	4.950	6.160	8.560	12.570	17.040
S Inlet (mm ²)	78.5	226.9	346.4	660.5	881.1	1385.4	1963	3216.9
S Outlet (mm ²)	272.6	456.8	720.6	1191.6	1578.7	2521	4095	5661

These data are for information and can be modified without notice. It is not up to us to appreciate specifications. It is up to the customer to verify the adequacy between the equipment chosen and the real conditions of use.