



# AUTEXIER

MANUFACTURER OF INDUSTRIAL VALVES

93 Rue Louis Blanc - 02300 CHAUNY - FRANCE  
 Phone : +33 (0)3 23 52 02 86 Fax : +33 (0)3 23 39 52 28  
 Website : www.autexier.fr

Ref. A601 Family : 47

Rev. 01

Date : 14 Feb. 2023

Page 1/4

## BRONZE BUTTERFLY VALVE Ref. A601MEØ

**SERIES :**

- A601

*For material compatibility, contact us*

**CHARACTERISTICS :**

- PN16 (Nominal Pressure)
- JUNCTION : ISO PN10/PN16 & ISO PN20 (ANSI CL150)
- MATERIAL : BRONZE CC491K

**MAXIMUM CONDITIONS OF USE :**

- 16 bar of -15°C to 100°C

**APPLICATIONS :**

- Water-based fluids
- Water

**OPTIONS :**

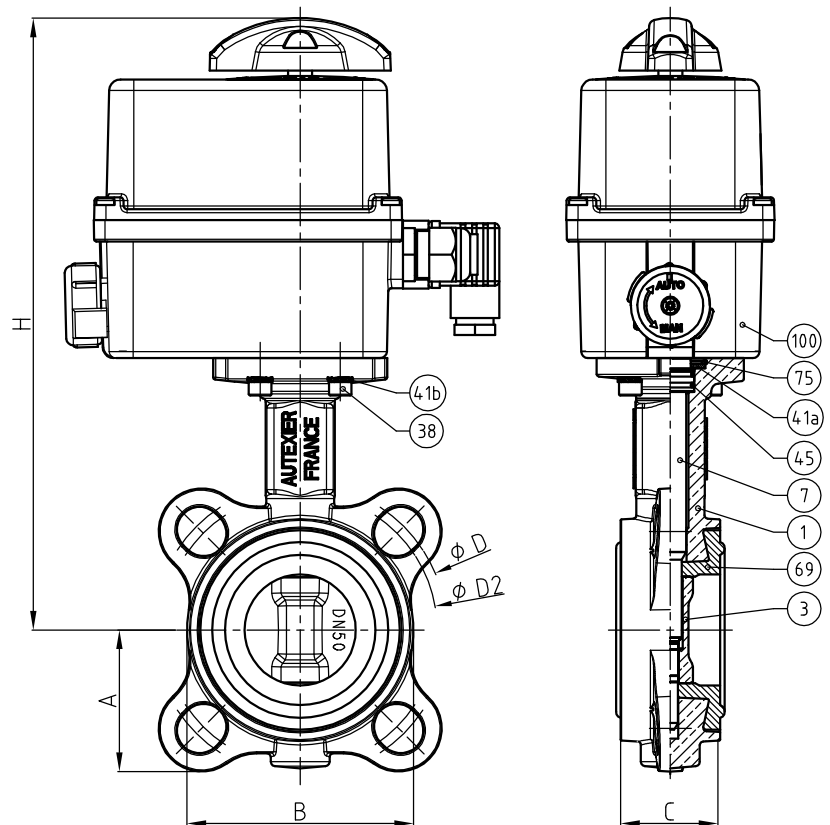
- EPDM, FPM or NBR Cuff

*Specific dimensions, contact us*



*Subject to modifications*

NOMENCLATURE			
Rep	Qty	Designation	Material
1	1	BODY	BRONZE
3	1	WEDGE DISC	BRONZE
7	1	STEM	ALUMINIUM BRONZE
38	4	SCREW	STAINLESS STEEL
41a	1	WASHER	ALUMINIUM BRONZE
41b	4	WASHER	STAINLESS STEEL
45	2	O-RING	FPM
69	1	CUFF	EPDM / FPM / NBR
75	1	HOUSING RINGS	STAINLESS STEEL
100	1	ACTUATOR	PA6 UL 94 V-0 STAINLESS STEEL



**REFERENCES NORMS :**

- Material : NF EN 1982 - NF EN 12163 - NF EN 12164 - NF EN 10272
- Testing & checking : NF EN 12266-1/-2 (bench test)
- Face to face : NF EN 558 - Series 20
- Shell design strength : NF EN 12516-3 V2003

Ref. instruction of assembling : 0904DA113E

Ref. instruction of operation : 0904DA114E

**Mounting & assembly guides are available on our website.**

DIMENSIONS				
DN	32	40	50	65
A (mm)	54	58	62	72
B (mm)	73	80	100	112
C (mm)	33	33	43	46
D (mm)	100	110	125	145
D2 (mm)	88.9	98.4	120.6	139.7
H (mm)	258	260	270	310
Base ISO	F05	F05	F05	F05
Maximum torque (N.m)	12	15	17	25
Weight (Kg)	3.080	3.200	--	5.750

*These data are for information and can be modified without notice. It is not up to us to appreciate specifications. It is up to the customer to verify the adequacy between the equipment chosen and the real conditions of use.*



# AUTEXIER

MANUFACTURER OF INDUSTRIAL VALVES

93 Rue Louis Blanc - 02300 CHAUNY - FRANCE  
 Phone : +33 (0)3 23 52 02 86 Fax : +33 (0)3 23 39 52 28  
 Website : www.autexier.fr

Ref. A601 Family : 47

Rev. 00

Date : 14 Feb. 2023

Page 2/4

## BRONZE BUTTERFLY VALVE Ref. A601MEØ

**SERIES :**

- A601

*For material compatibility, contact us*

**CHARACTERISTICS :**

- PN16 (Nominal Pressure)
- JUNCTION : ISO PN10/PN16 & ISO PN20 (ANSI CL150)
- MATERIAL : BRONZE CC491K

**MAXIMUM CONDITIONS OF USE :**

- 16 bar of -15°C to 100°C

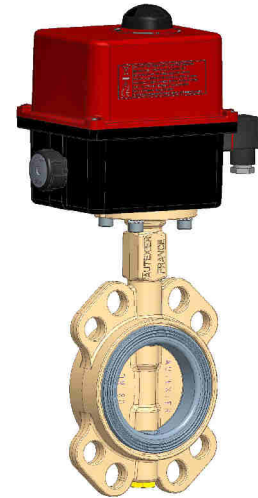
**APPLICATIONS :**

- Water-based fluids
- Water

**OPTIONS :**

- EPDM, FPM or NBR Cuff

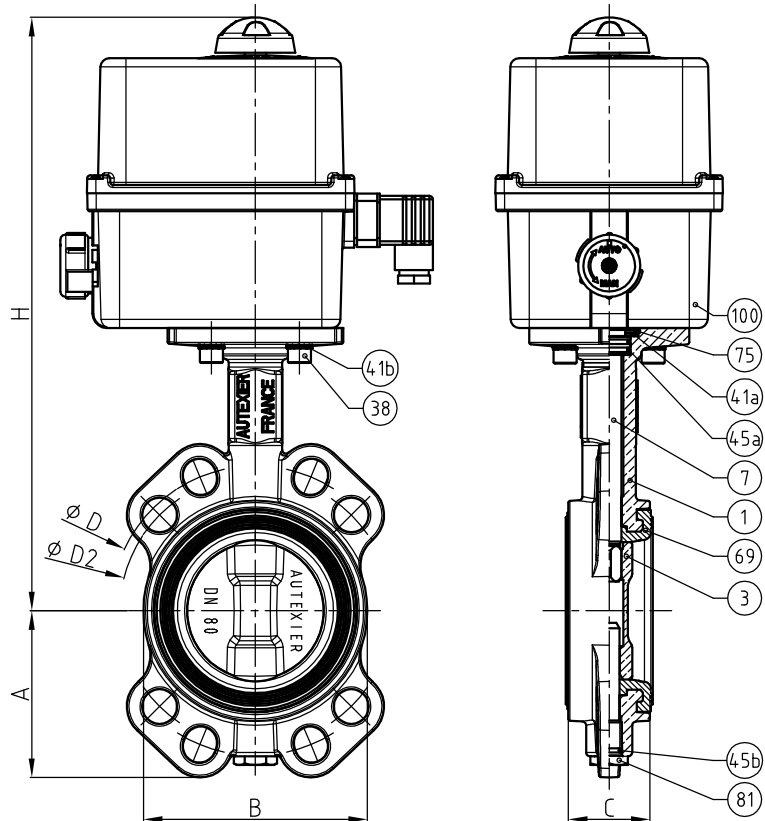
*Specific dimensions, contact us*



*Subject to modifications*

**NOMENCLATURE**

Rep	Qty	Designation	Material
1	1	BODY	BRONZE
3	1	WEDGE DISC	BRONZE
7	1	STEM	ALUMINIUM BRONZE
38	4	SCREW	STAINLESS STEEL
41a	1	WASHER	ALUMINIUM BRONZE
41b	4	WASHER	STAINLESS STEEL
45a	3	O-RING	FPM
45b	3	O-RING	FPM
69	1	CUFF	EPDM / FPM / NBR
75	1	HOUSING RINGS	STAINLESS STEEL
81	1	AXIS	ALUMINIUM BRONZE
100	1	ACTUATOR	PA6 UL 94 V-0 STAINLESS STEEL



**REFERENCES NORMS :**

- Material : NF EN 1982 - NF EN 12163 - NF EN 12164 - NF EN 10272
- Testing & checking : NF EN 12266-1/-2 (bench test)
- Face to face : NF EN 558 - Series 20
- Shell design strength : NF EN 12516-3 V2003

Ref. instruction of assembling : 0904DA113E

Ref. instruction of operation : 0904DA114E

**Mounting & assembly guides are available on our website.**

DIMENSIONS	
DN	80
A (mm)	94
B (mm)	126
C (mm)	46
D (mm)	160
D2 (mm)	152.4
H (mm)	334
Base ISO	F07
Maximum torque (N.m)	28
Weight (Kg)	--

*These data are for information and can be modified without notice. It is not up to us to appreciate specifications. It is up to the customer to verify the adequacy between the equipment chosen and the real conditions of use.*



# AUTEXIER

MANUFACTURER OF INDUSTRIAL VALVES

93 Rue Louis Blanc - 02300 CHAUNY - FRANCE  
 Phone : +33 (0)3 23 52 02 86 Fax : +33 (0)3 23 39 52 28  
 Website : www.autexier.fr

Ref. A601 Family : 47

Rev. 01

Date : 14 Feb. 2023

Page 3/4

## BRONZE BUTTERFLY VALVE Ref. A601MEØ

**SERIES :**

- A601

*For material compatibility, contact us*

**CHARACTERISTICS :**

- PN16 (Nominal Pressure)
- JUNCTION : ISO PN10/PN16 & ISO PN20 (ANSI CL150)
- MATERIAL : BRONZE CC491K

**MAXIMUM CONDITIONS OF USE :**

- 16 bar of -15°C to 100°C

**APPLICATIONS :**

- Water-based fluids
- Water

**OPTIONS :**

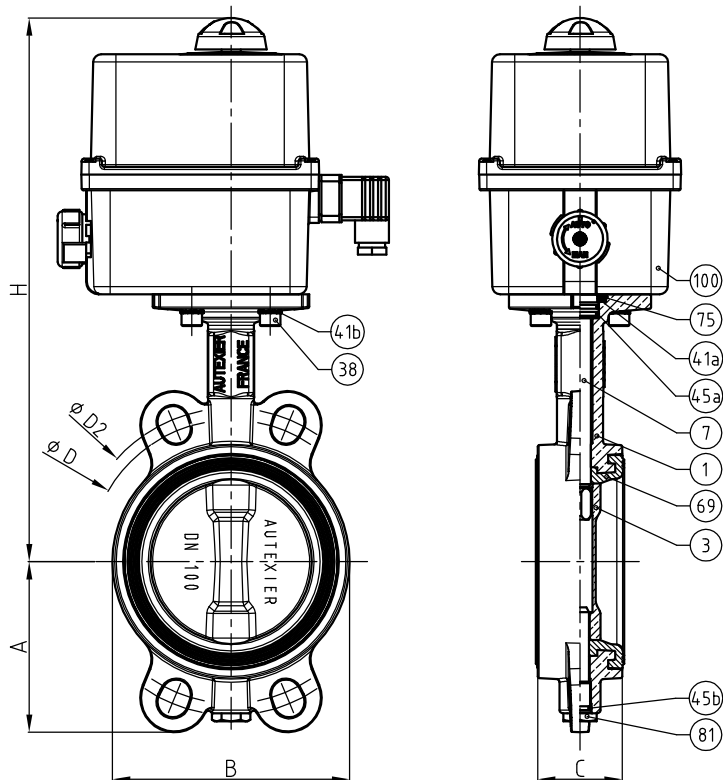
- EPDM, FPM or NBR Cuff

*Specific dimensions, contact us*



*Subject to modifications*

NOMENCLATURE			
Rep	Qty	Designation	Material
1	1	BODY	BRONZE
3	1	WEDGE DISC	BRONZE
7	1	STEM	ALUMINIUM BRONZE
38	4	SCREW	STAINLESS STEEL
41a	1	WASHER	ALUMINIUM BRONZE
41b	4	WASHER	STAINLESS STEEL
45a	3	O-RING	FPM
45b	3	O-RING	FPM
69	1	CUFF	EPDM / FPM / NBR
75	1	HOUSING RINGS	STAINLESS STEEL
81	1	AXIS	ALUMINIUM BRONZE
100	1	ACTUATOR	PA6 UL 94 V-0 STAINLESS STEEL



**REFERENCES NORMS :**

- Material : NF EN 1982 - NF EN 12163 - NF EN 12164 - NF EN 10272
- Testing & checking : NF EN 12266-1/-2 (bench test)
- Face to face : NF EN 558 - Series 20
- Shell design strength : NF EN 12516-3 V2003

Ref. instruction of assembling : 0904DA113E

Ref. instruction of operation : 0904DA114E

**Mounting & assembly guides are available on our website.**

DIMENSIONS	
DN	100
A (mm)	108
B (mm)	150
C (mm)	52
D (mm)	180
D2 (mm)	190.5
H (mm)	344
Base ISO	F07
Maximum torque (N.m)	50
Weight (Kg)	7.500

*These data are for information and can be modified without notice. It is not up to us to appreciate specifications. It is up to the customer to verify the adequacy between the equipment chosen and the real conditions of use.*



# AUTEXIER

MANUFACTURER OF INDUSTRIAL VALVES

93 Rue Louis Blanc - 02300 CHAUNY - FRANCE  
 Phone : +33 (0)3 23 52 02 86 Fax : +33 (0)3 23 39 52 28  
 Website : www.autexier.fr

Ref. A601 Family : 47

Rev. 01

Date : 14 Feb. 2023

Page 4/4

## BRONZE BUTTERFLY VALVE Ref. A601MEØ

**SERIES :**

- A601

*For material compatibility, contact us*

**CARACTERISTICS :**

- PN16 / PN10 (Nominal Pressure)
- JUNCTION : ISO PN10/PN16 & ISO PN20 (ANSI CL150)
- MATERIAL : BRONZE CC491K

**MAXIMUM CONDITIONS OF USE :**

- 16 bar of -15°C to 100°C
- 10 bar of -15°C to 100°C (DN200 & DN250)

**APPLICATIONS :**

- Water-based fluids
- Water

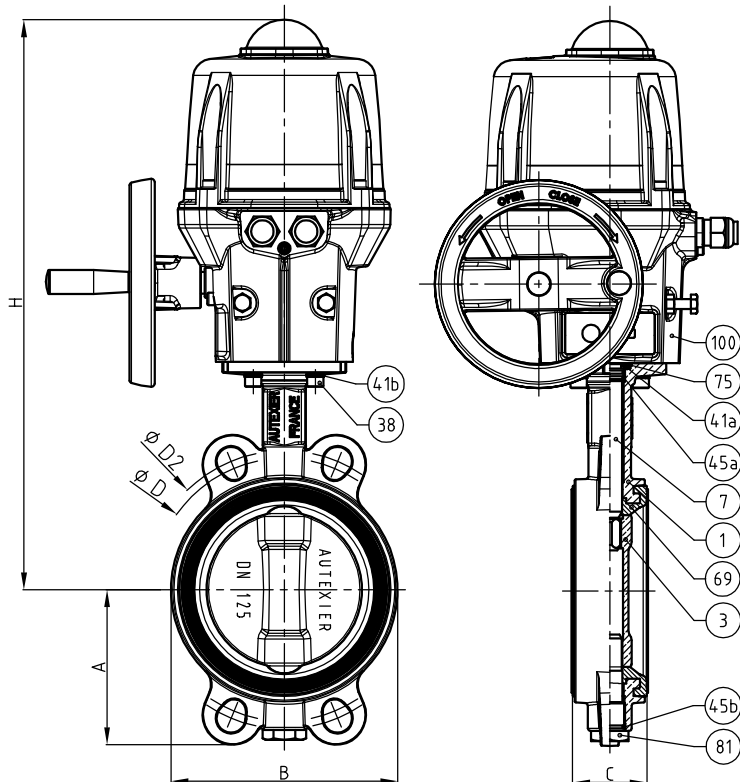
**OPTIONS :**

- EPDM, FPM or NBR Cuff
- Specific dimensions, contact us*



*Subject to modifications*

NOMENCLATURE			
Rep	Qty	Designation	Material
1	1	BODY	BRONZE
3	1	WEDGE DISC	BRONZE
7	1	STEM	ALUMINIUM BRONZE
38	4	SCREW	STAINLESS STEEL
41a	1	WASHER	ALUMINIUM BRONZE
41b	4	WASHER	STAINLESS STEEL
45a	3	O-RING	FPM
45b	3	O-RING	FPM
69	1	CUFF	EPDM / FPM / NBR
75	1	HOUSING RINGS	STAINLESS STEEL
81	1	AXIS	ALUMINIUM BRONZE
100	1	ACTUATOR	ALUMINIUM + EPOXY PAINT PA6 UL 94 V-0 STEEL + Zn / STAINLESS STEEL



**REFERENCES NORMS :**

- Material : NF EN 1982 - NF EN 12163 - NF EN 12164 - NF EN 10272
- Testing & checking : NF EN 12266-1/-2 (bench test)
- Face to face : NF EN 558 - Series 20
- Shell design strength : NF EN 12516-3 V2003

Ref. instruction of assembling : 0904DA113E

Ref. instruction of operation : 0904DA114E

**Mounting & assembly guides are available on our website.**

DIMENSIONS				
DN	125	150	200	250
A (mm)	124	134	170	206
B (mm)	181	209	257	330
C (mm)	56	56	60	68
D (mm)	210	240	295	355
D2 (mm)	215.9	241.3	298.4	362
H (mm)	455	467	503	562
Base ISO	F07	F07	F07	F10
Maximum torque (N.m)	85	110	140	270
Weight (Kg)	14.520	--	--	--

*These data are for information and can be modified without notice. It is not up to us to appreciate specifications. It is up to the customer to verify the adequacy between the equipment chosen and the real conditions of use.*