



# AUTEXIER

MANUFACTURER OF INDUSTRIAL VALVES

93 Rue Louis Blanc - 02300 CHAUNY - FRANCE  
Phone : +33 (0)3 23 52 02 86 Fax : +33 (0)3 23 39 52 28  
Website : www.autexier.fr

Ref. BPL Family : 40

Rev. 00

Date : 24 March 2022

Page 1/1

## BRONZE BLIND FLANGE Ref. BPL0.Ø

### SERIES :

- BPL
  - Standard drilling : ISO PN 16
- For material compatibility, contact us*

### CHARACTERISTICS :

- PN20 (Nominal Pressure)
- MATERIAL : BRONZE CC491K

### MAXIMUM CONDITIONS OF USE :

- 20 bar of -50°C to 250°C

### APPLICATIONS :

- Water-based fluids
- Steam (8 bar)
- Seawater

### OPTIONS :

- Special drilling on demand
- Specific dimensions, contact us*



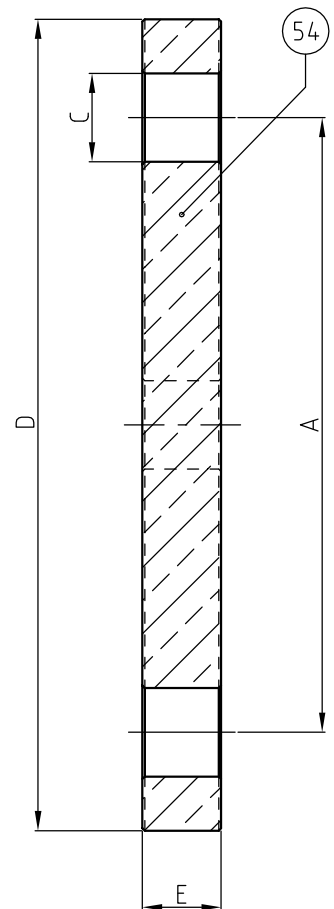
*Subject to modifications*

### NOMENCLATURE

Rep	Qty	Designation	Material
54	1	FLANGE	BRONZE

### DIMENSIONS

DN	15	20	25	32	40	50	65	80	100	125	150	200	250	300
A (mm)	65	75	85	100	110	125	145	160	180	210	240	295	355	410
C (mm)	14	14	14	18	18	18	18	18	18	18	22	22	26	26
D (mm)	95	105	115	140	150	165	185	200	220	250	285	340	405	460
E (mm)	14	14	16	16	16	16	16	18	18	18	18	22	24	28
Weight (Kg)	0.920	1.300	1.400	2.300	2.700	2.900	4.000	5.200	6.400	9.200	11.900	18.400	28.200	39.600



### REFERENCES NORMS :

- Material : NF EN 1982 - NF EN 12163 - NF EN 12164 - NF EN 10272
- Testing & checking : NF EN 12266-1/-2 (bench test)
- Flange : NF EN 1092-3

Ref. instruction of assembling :

Ref. instruction of operation :

**Mounting & assembly guides are available on our website.**

*These data are for information and can be modified without notice. It is not up to us to appreciate specifications. It is up to the customer to verify the adequacy between the equipment chosen and the real conditions of use.*