



AUTEXIER

MANUFACTURER OF INDUSTRIAL VALVES

93 Rue Louis Blanc - 02300 CHAUNY - FRANCE
 Phone : +33 (0)3 23 52 02 86 Fax : +33 (0)3 23 39 52 28
 Website : www.autexier.fr

Ref. AU112 Family : 20

Rev. 07

Date : 14 Dec. 2022

Page 1/1

ALUMINIUM-BRONZE SWING CHECK VALVE

Ref. AU112ØB/B1

SERIES :

- AU112ØB : Inlet flanged / outlet smooth finish
- Full bore
- Oblique seat : 15°

For material compatibility, contact us

CARACTERISTICS :

- PN16 (Nominal Pressure)
- ENDS : Fixed flange ISO PN16 or loose flange ISO PN10 / smooth
- MATERIAL : ALUMINIUM BRONZE CC333G

MAXIMUM CONDITIONS OF USE :

- 16 bar of -10°C to 120°C

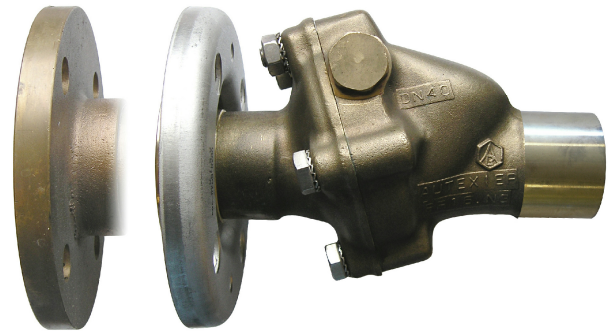
APPLICATIONS :

- Water-based fluids
- Steam (8 bar)
- Seawater

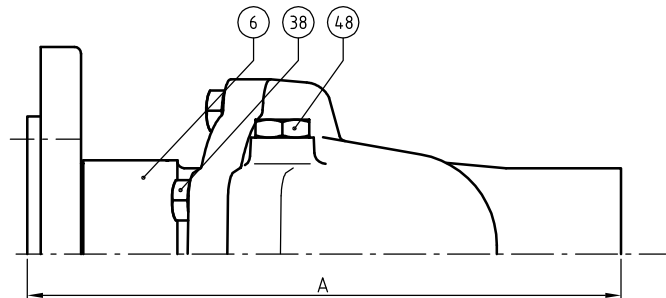
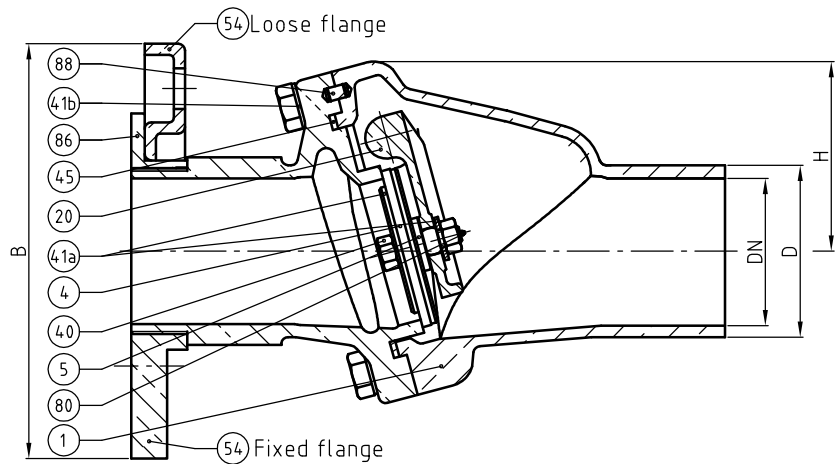
OPTIONS :

- Special drilling
- Socket welding
- Coupling Victaulic® ou Straub®

Specific dimensions, contact us



Subject to modifications / Photos for information only



| DIMENSIONS | | | | | | |
|------------|--------|--------|-----------------------|------------------------|--------|---|
| DN | A (mm) | B (mm) | D (mm) Ref.AU112ØB | D (mm) Ref.AU112ØB1 | H (mm) | n |
| 32 | 180 | 140 | 38 | - | 67 | 5 |
| 40 | 195 | 150 | 48.3 | 44.5 | 72 | 5 |
| 50 | 223 | 165 | 57 | - | 85 | 5 |
| 65 | 265 | 185 | 76.1 | - | 85 | 6 |
| 80 | 295 | 200 | 88.9 | 84 | 98 | 7 |
| 100 | 305 | 220 | 108 | - | 111 | 7 |
| 125 | 370 | 250 | 133 | - | 144 | 8 |
| 150 | 420 | 285 | 159 | - | 157 | 8 |
| 200 | 515 | 340 | 219 | - | 173 | 9 |

| NOMENCLATURE | | | |
|--------------|-----|----------------------|------------------------------------|
| Rep | Qty | Designation | Material |
| 1 | 1 | BODY | ALUMINIUM BRONZE |
| 4 | 1 | DISC | FPM |
| 5 | 1 | DISC HOLDER | ALUMINIUM BRONZE |
| 6 | 1 | SEAT | ALUMINIUM BRONZE |
| 20 | 1 | LEVER | ALUMINIUM BRONZE |
| 38 | n | SCREW | STAINLESS STEEL |
| 40 | 1 | NUT | STAINLESS STEEL |
| 41a | 1 | WASHER | ALUMINIUM BRONZE |
| 41b | n | WASHER | STAINLESS STEEL |
| 45 | 1 | GASKET | FPM |
| 48 | 1 | SLEEVE | ALUMINIUM BRONZE |
| 54 | 1 | FIXED / LOOSE FLANGE | ALUMINIUM BRONZE / STAINLESS STEEL |
| 80 | 1 | CUSHION | POLYURETHANE |
| 86 | 1 | COLLAR | ALUMINIUM BRONZE |
| 88 | 1 | CENTRING PIN | ALUMINIUM BRONZE |

REFERENCES NORMS :

- Material : NF EN 1982 - NF EN 12163 - NF EN 12164 - NF EN 10272
- Testing & checking : NF EN 12266-1/-2 (bench test)
- Flange : NF EN 1092-3

Ref. instruction of assembling : 0904DA139E

Ref. instruction of operation : 0904DA089E

Mounting & assembly guides are available on our website.

These data are for information and can be modified without notice. It is not up to us to appreciate specifications. It is up to the customer to verify the adequacy between the equipment chosen and the real conditions of use.